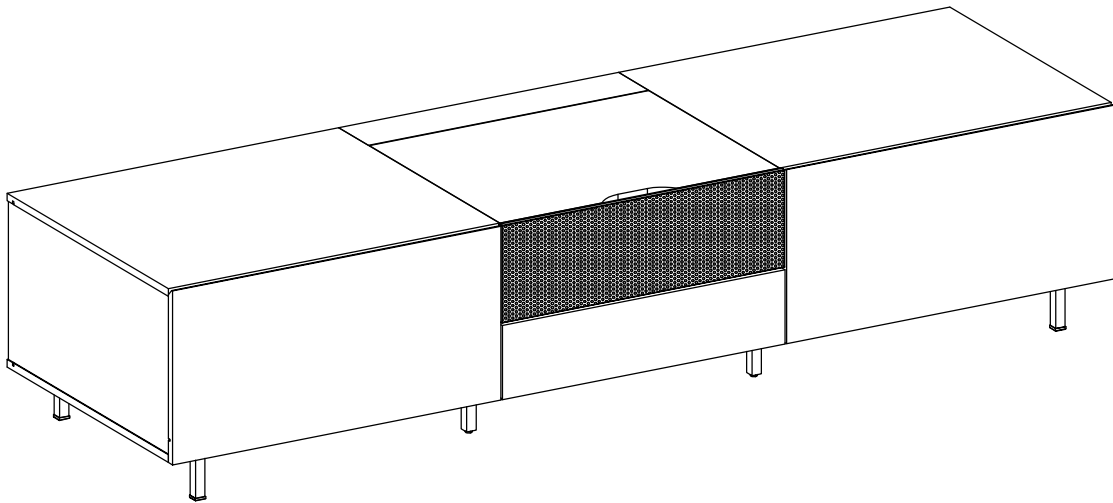




## ASSEMBLY INSTRUCTIONS

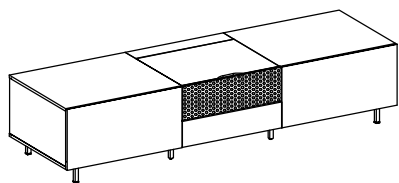
### PREM2000GW



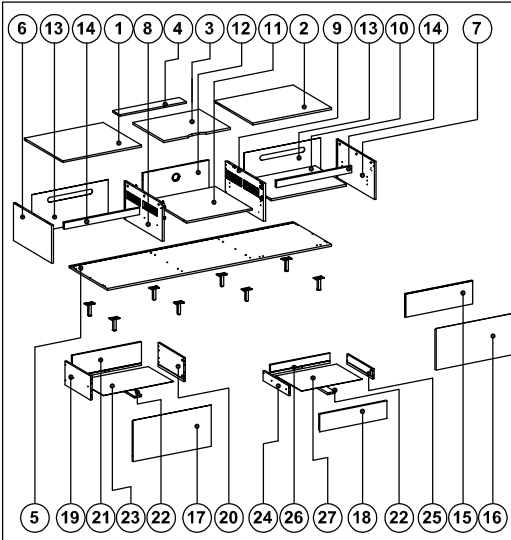
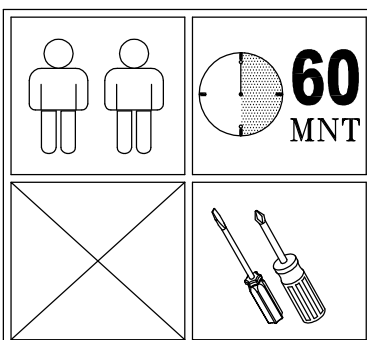
Thank you for choosing AVS PREM2000GW AV Furniture. Before beginning assembly, please check all parts are included and undamaged. For any assembly or parts enquiries, please contact **AV Supply Group Ltd** on (09) 2749172 or email to [info@avsupply.co.nz](mailto:info@avsupply.co.nz)

**IMPORTANT:** REMOVE protective plastic film from panels BEFORE assembling the cabinet

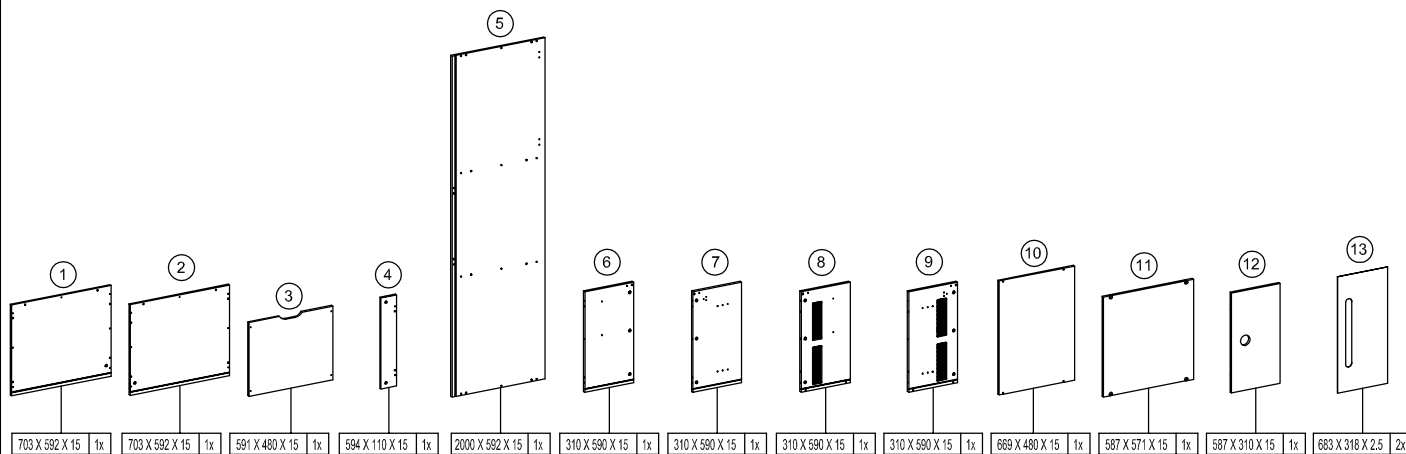
# PREM2000GW



The cabinet top supports up to 55 kg (121 lbs.)  
 The drawer supports up to 10 kg (22 lbs.)  
 The shelf supports up to 5 kg (11 lbs.)

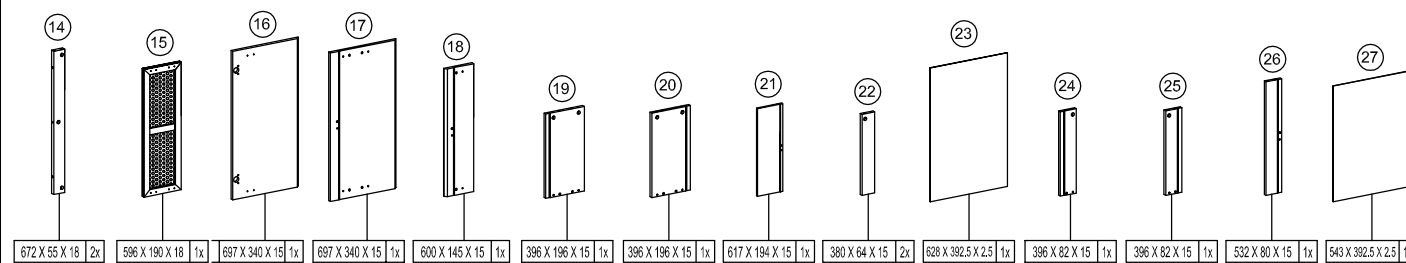


**PRODUCT CARE:** Care for your furniture by cleaning with glass cleaner and a disposable paper towel, do NOT use abrasive chemical products to clean your Arisit furniture.



**CAUTION:** Do not use this product for any purpose not explicitly specified by Arisit. Improper installation may cause property damage or personal injury. If you do not understand these directions, or have doubts about the safety of the installation, contact Arisit Customer Service or call a qualified contractor. Arisit is not responsible for damage or injury caused by incorrect mounting, assembly, or use.

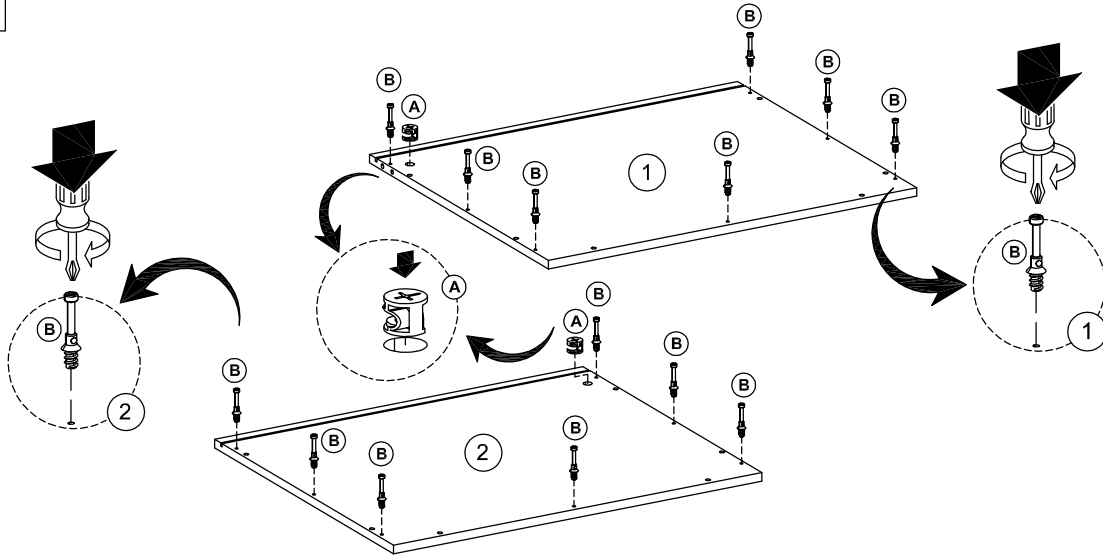
**WARNING!** This product contains small items that could be a choking hazard if swallowed. Keep these items away from young children!



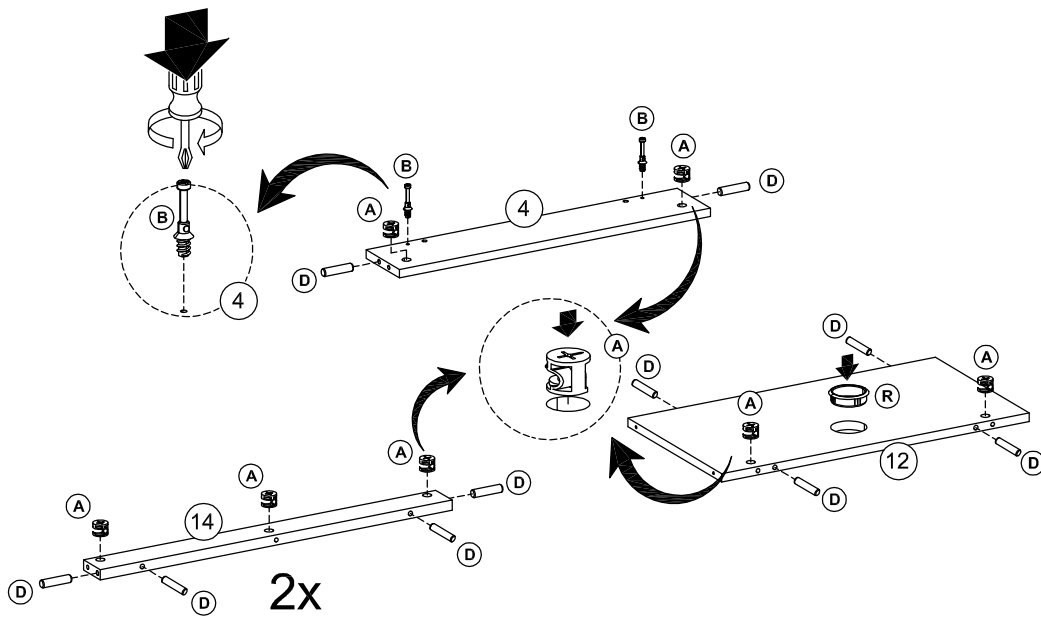
A X 32	B X 28	WHITE C X 24	D X 46	6 x 8 mm E X 16	10 x 33,5 mm F X 26	G X 2	<p><b>Arisit</b> intends to make this manual accurate and complete. However, Arisit makes no claim that the information contained herein covers all details, conditions, or variations. Nor does it provide for every possible contingency in connection with the installation or use of this product. The information contained in this document is subject to change without notice or obligation of any kind. Arisit makes no representation of warranty, expressed or implied, regarding the information contained herein. Arisit assumes no responsibility for accuracy, completeness or sufficiency of the information contained in this document.</p>	
H X 2	4 x 13 mm I X 8	J X 16	4 x 15 mm K X 24	L X 4	M X 4	N X 4		
4 x 10 mm O X 42	P X 2	Q X 4	R X 1	S X 4	T X 2	U X 4		V X 4

# PREM2000GW

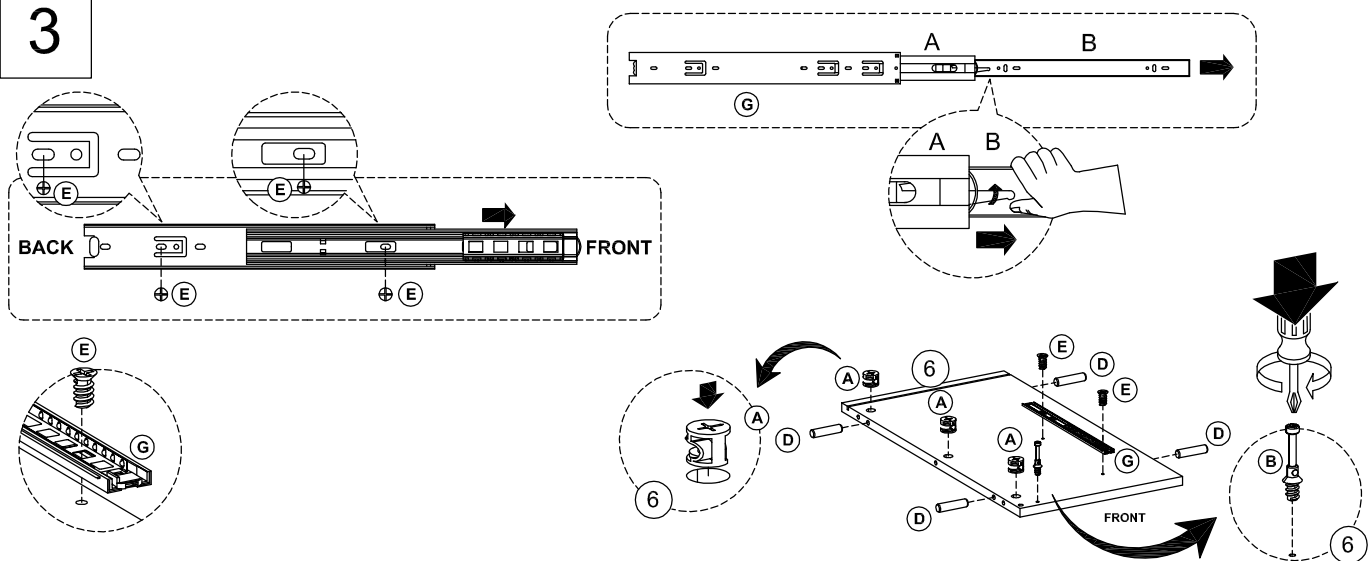
1



2

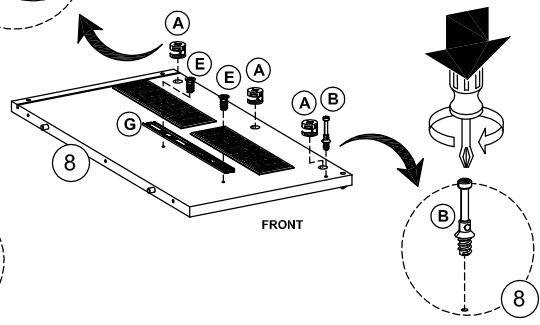
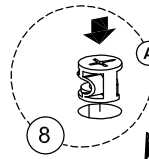
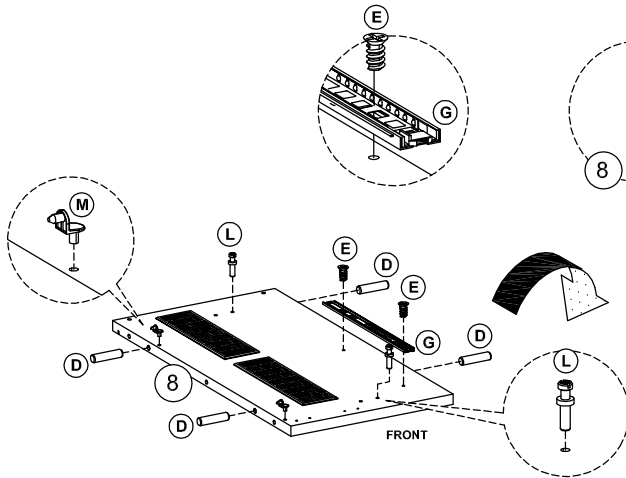
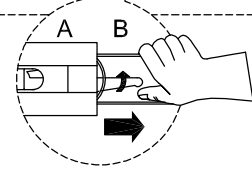
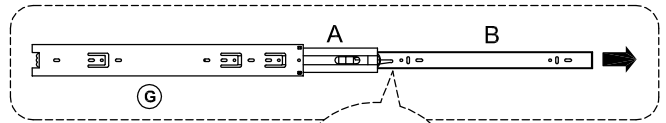
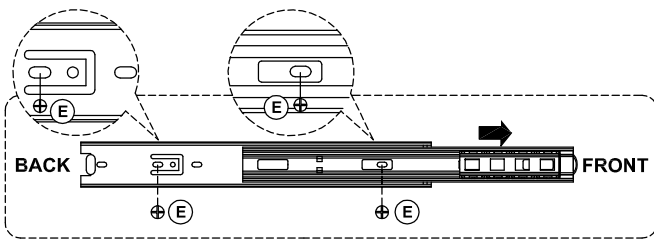


3

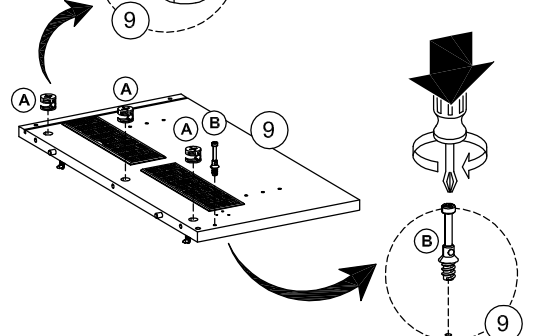
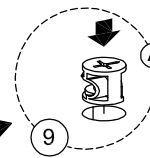
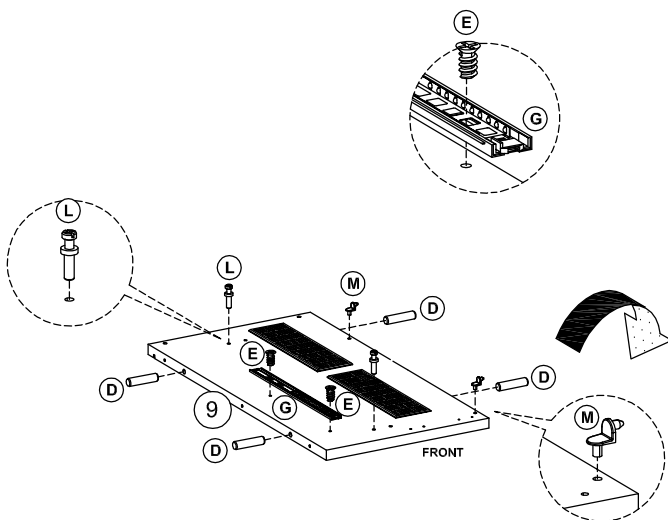
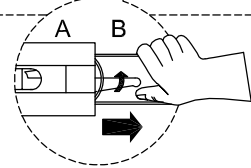
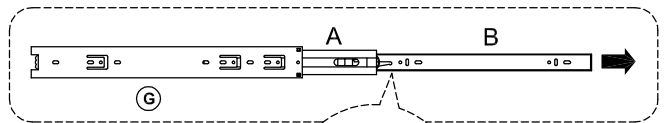
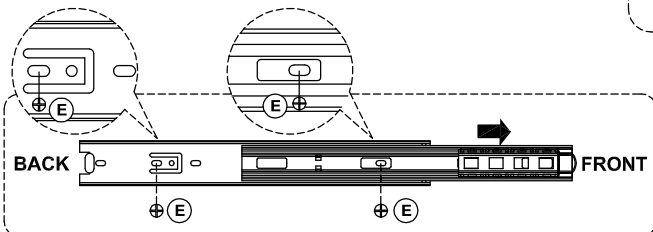


# PREM2000GW

4

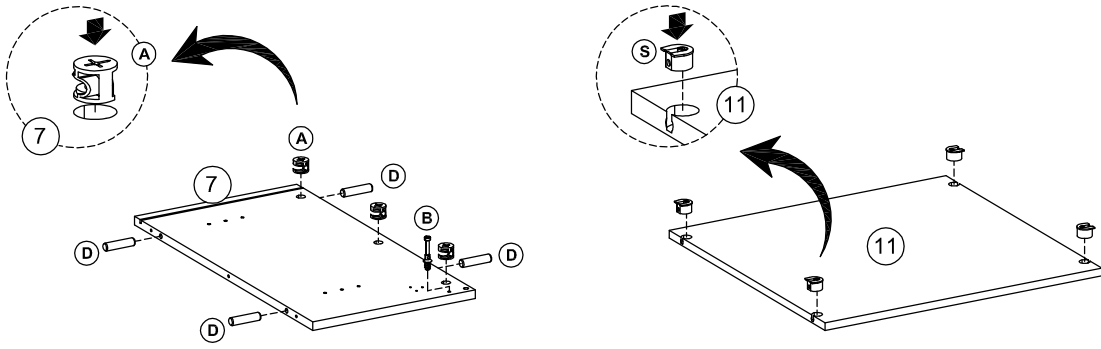


5

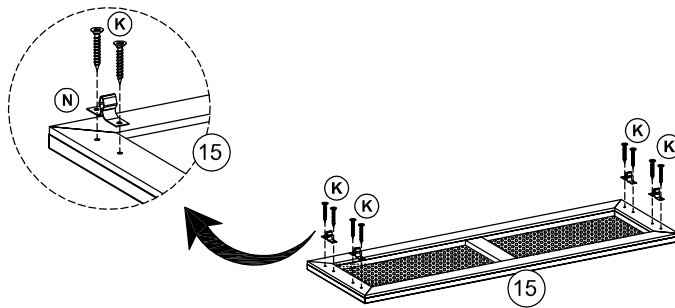


# PREM2000GW

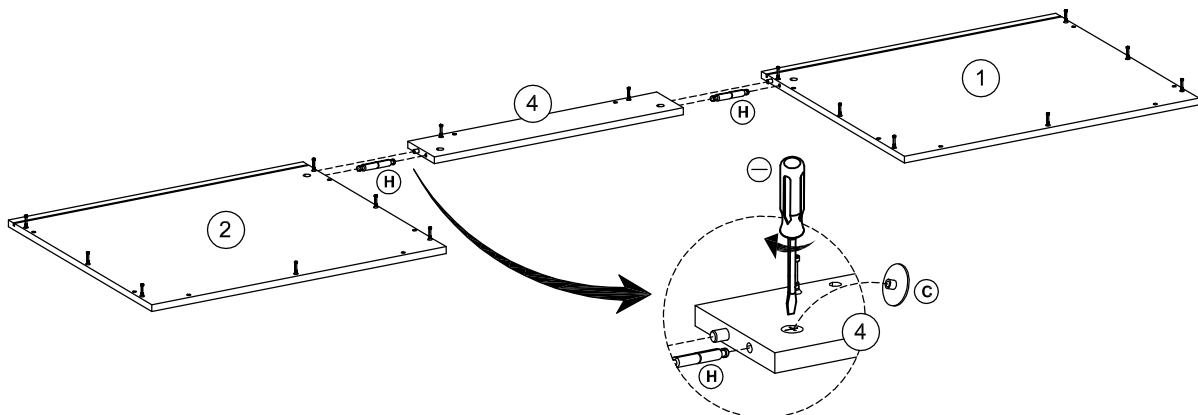
6



7

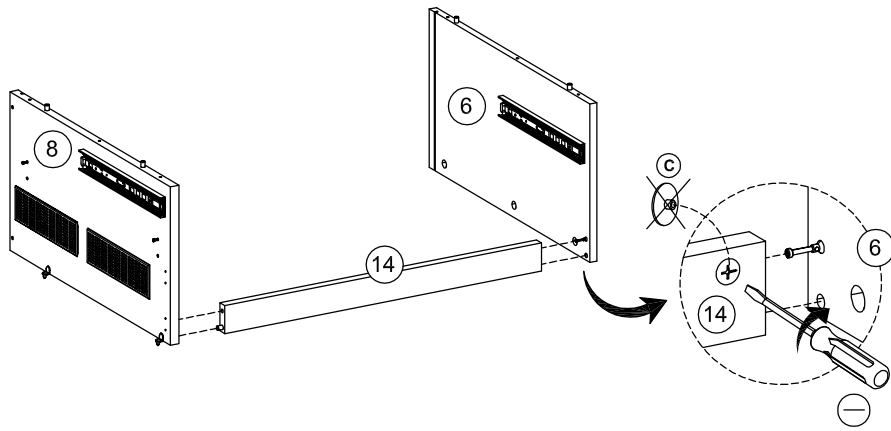


8

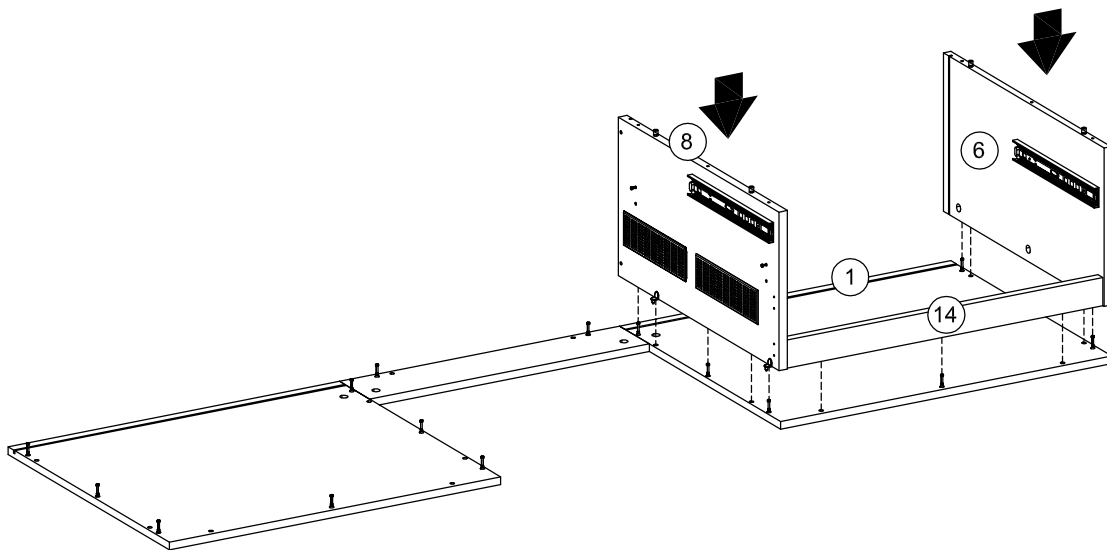


# PREM2000GW

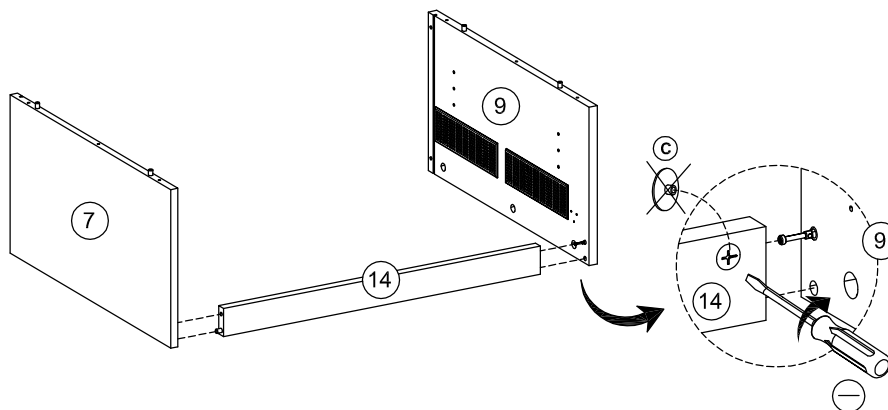
9



10

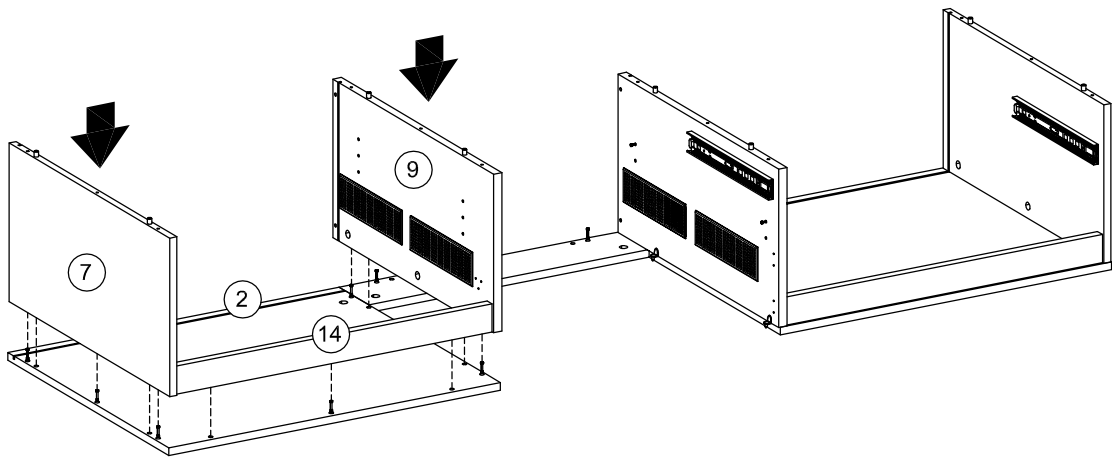


11

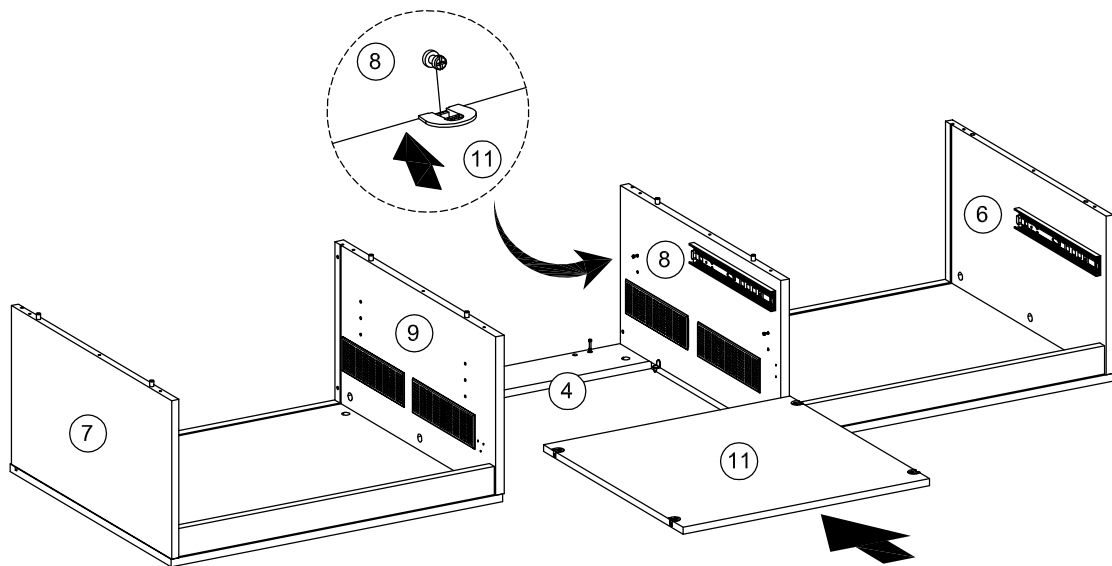


# PREM2000GW

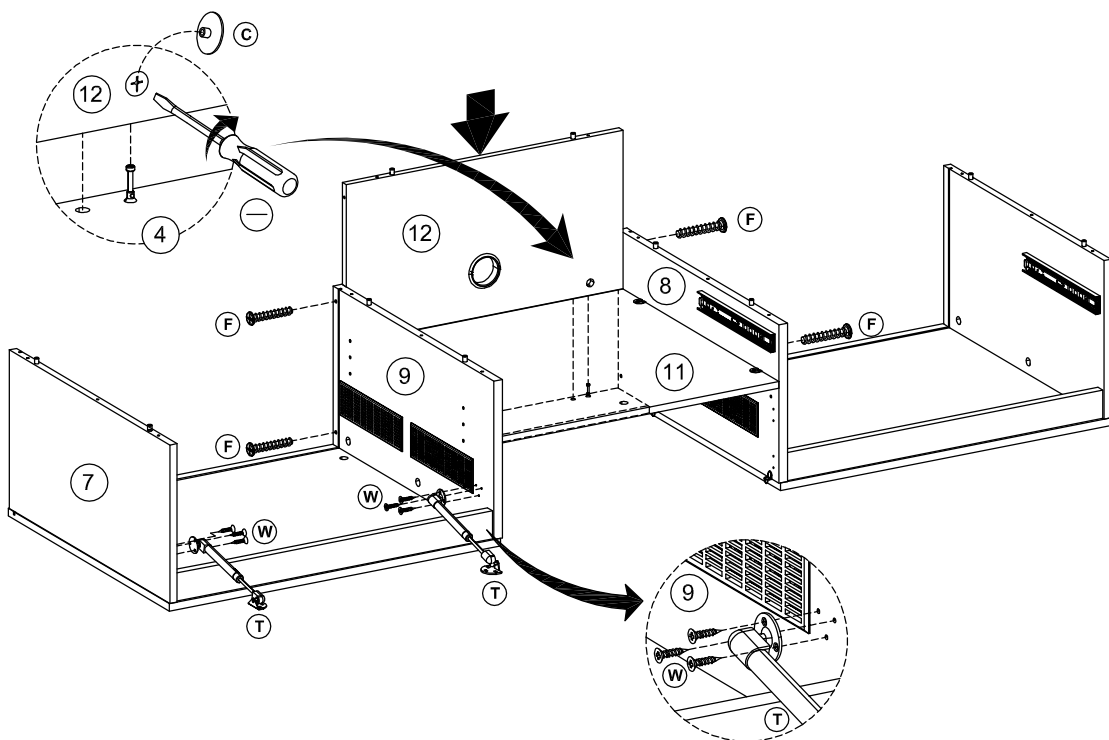
12



13

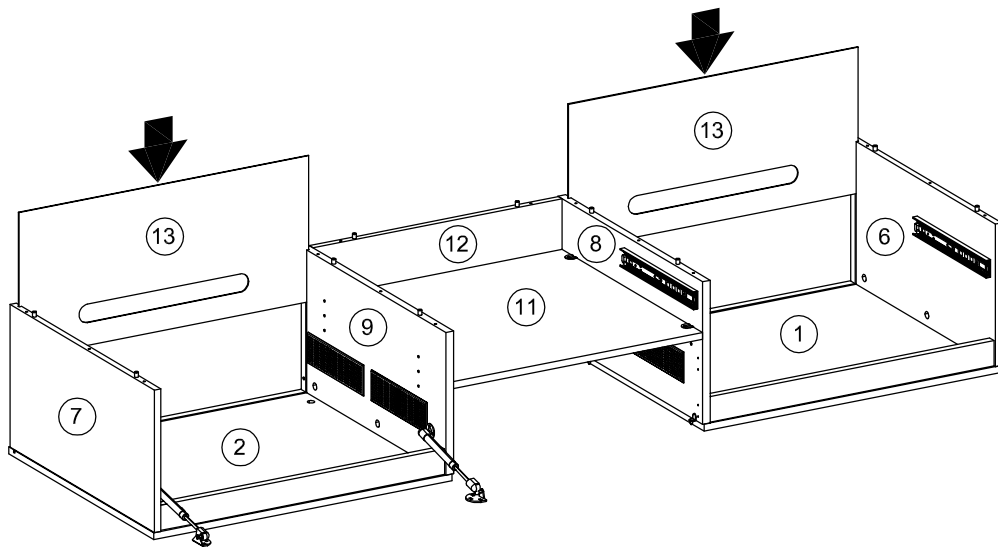


14

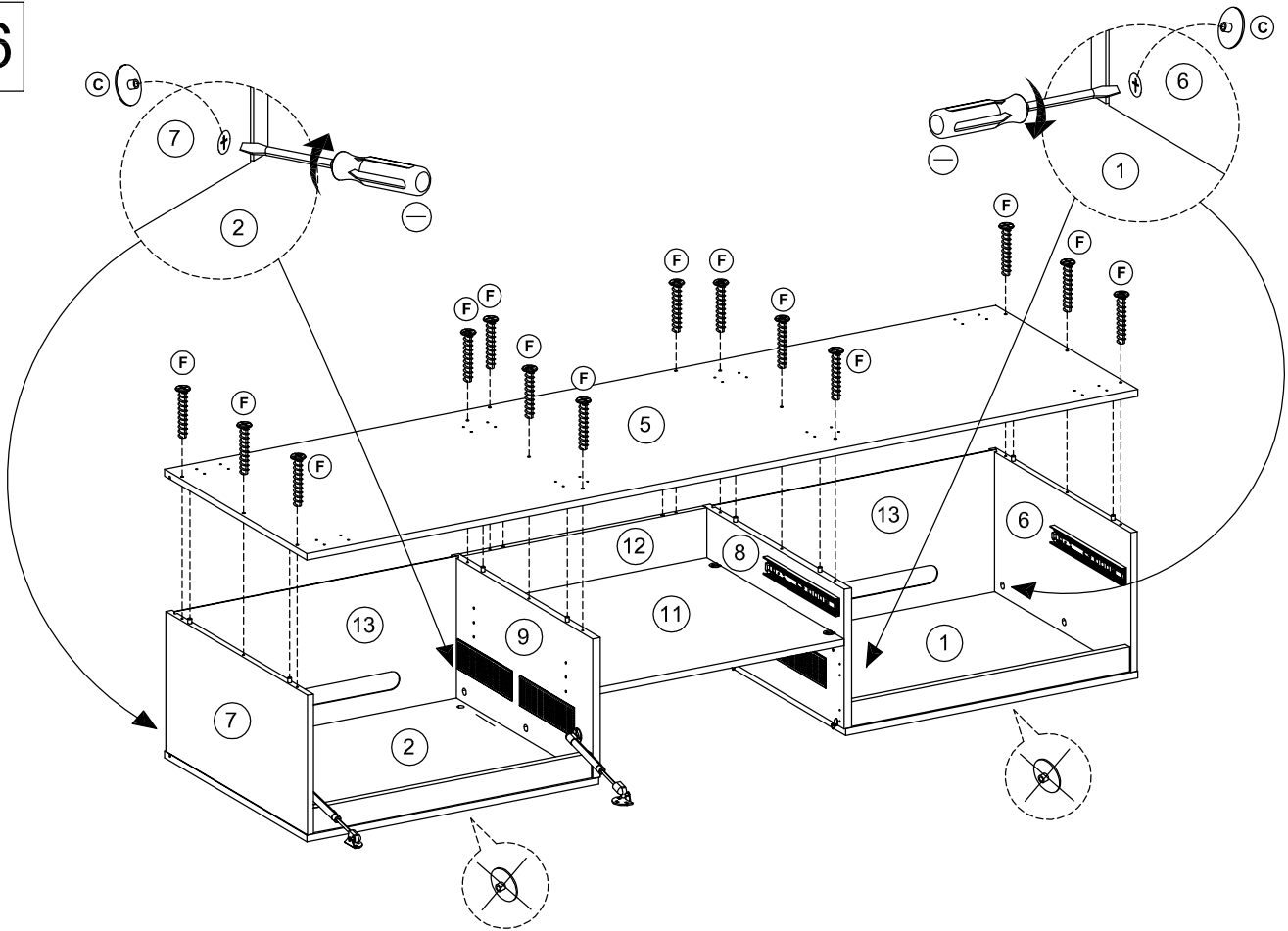


# PREM2000GW

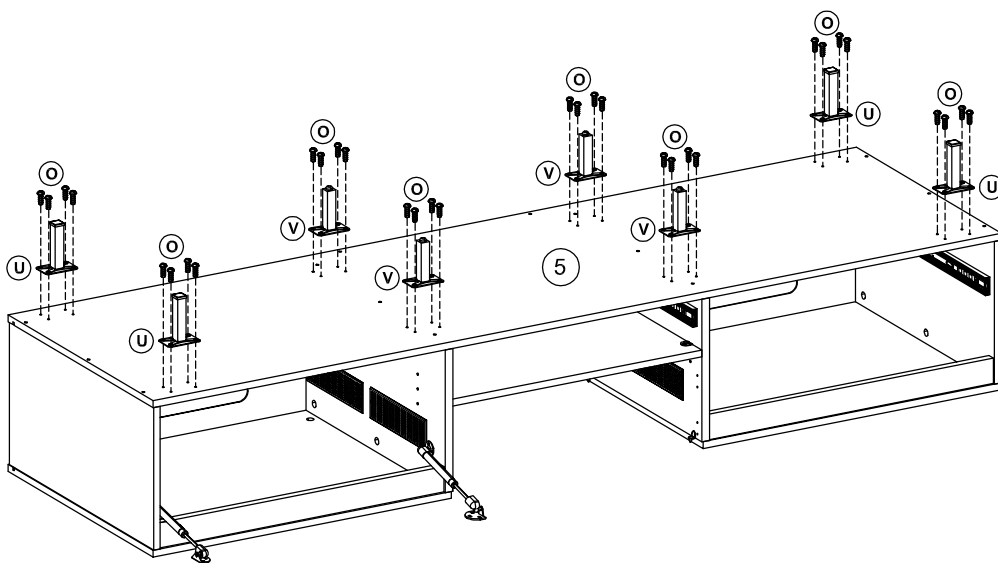
15



16



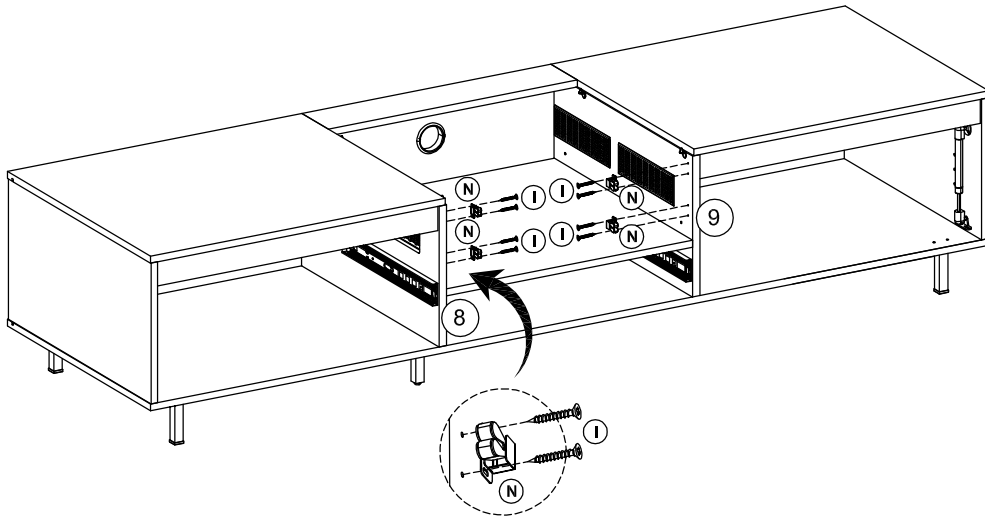
17



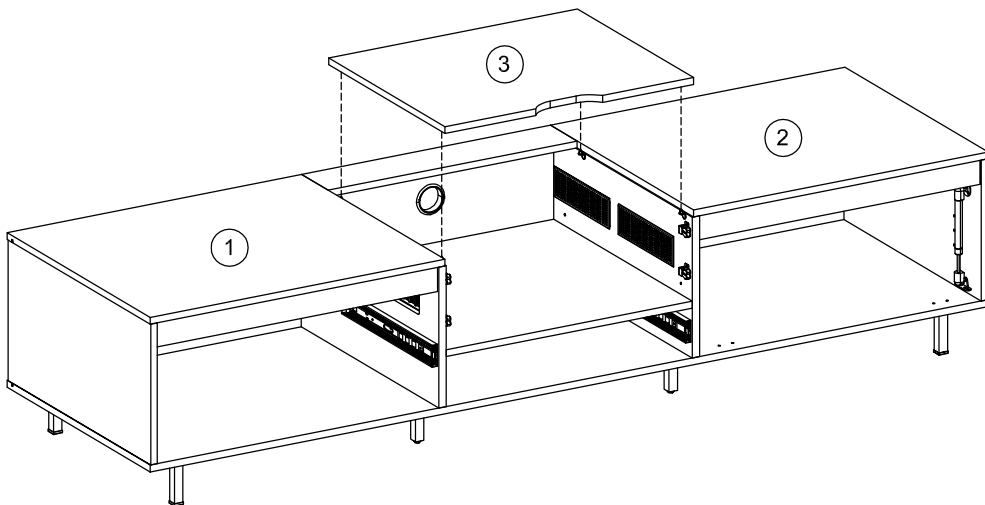


# PREM2000GW

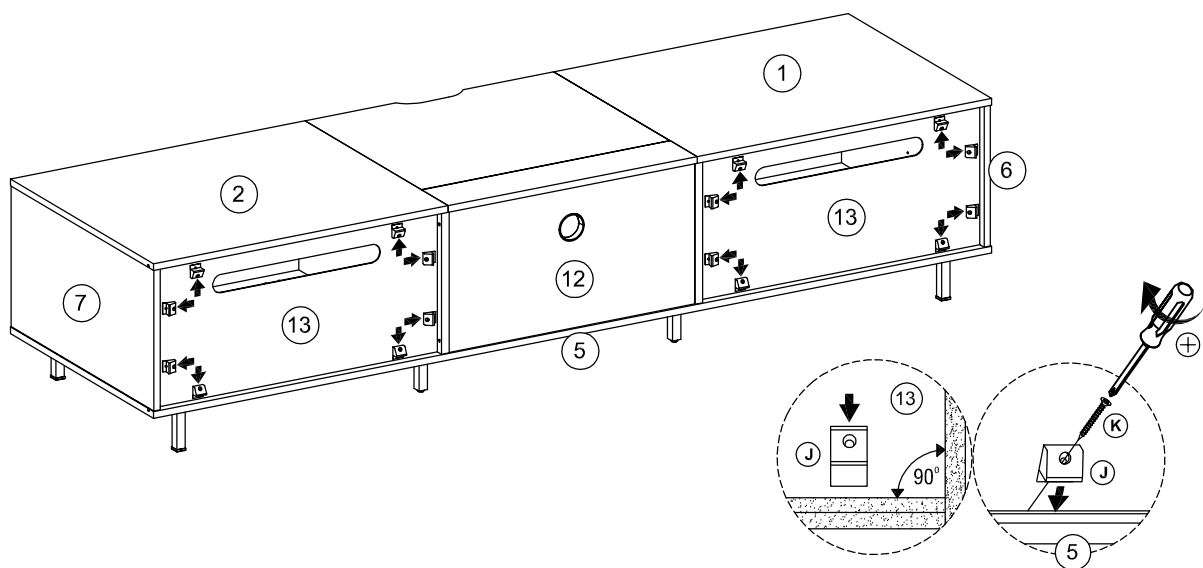
18



19

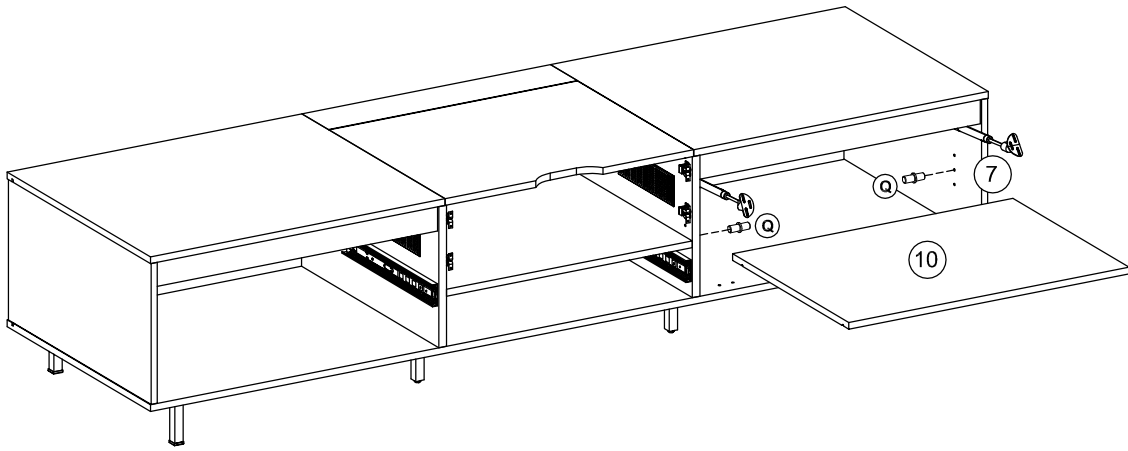


20

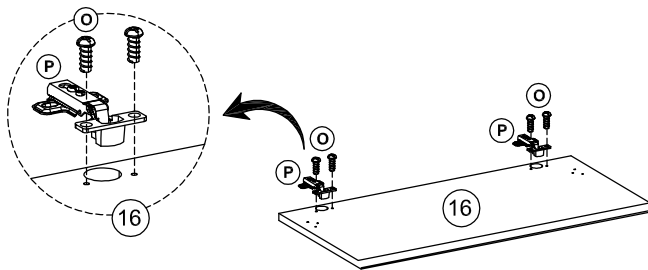


# PREM2000GW

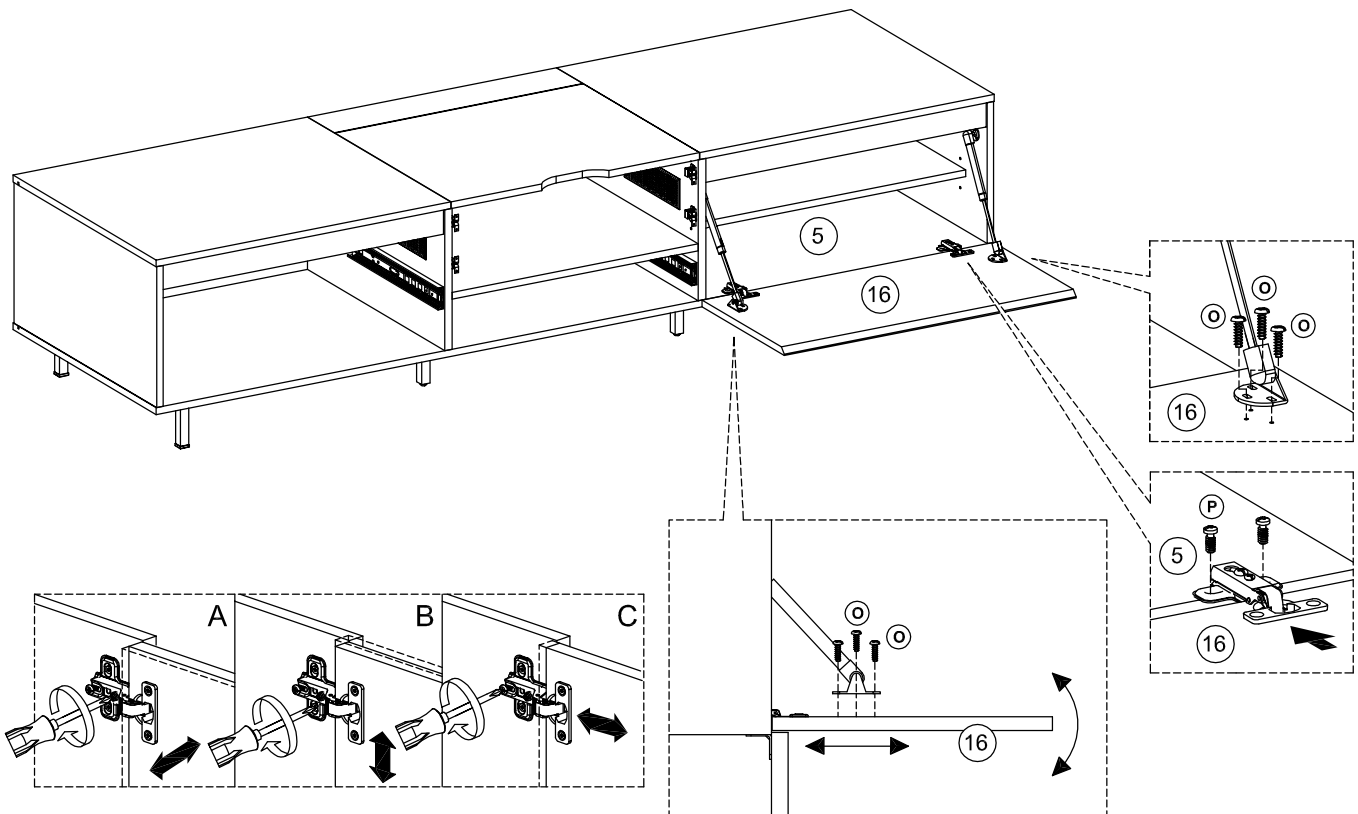
21



22

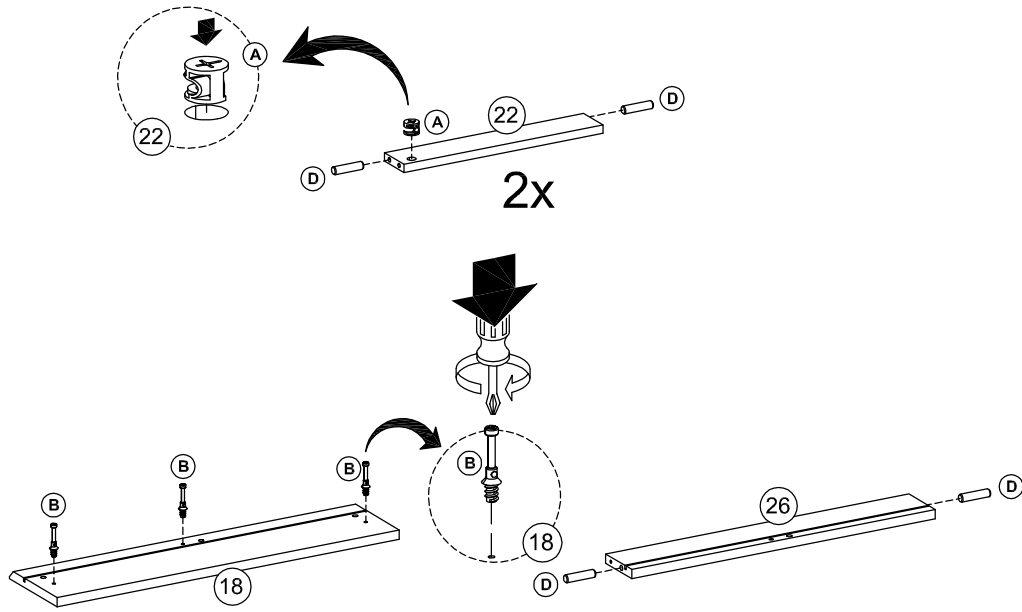


23

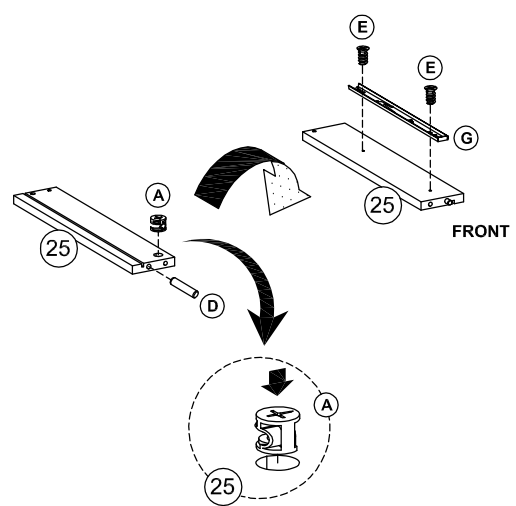
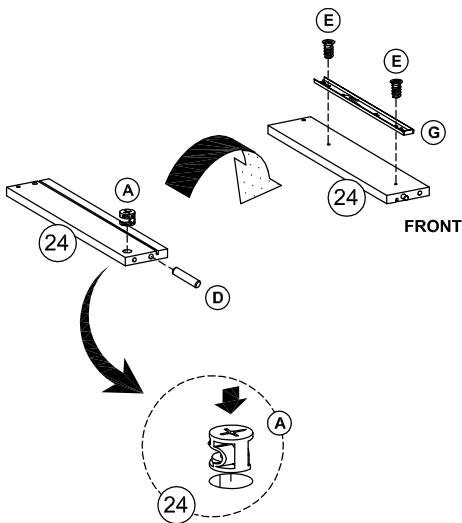
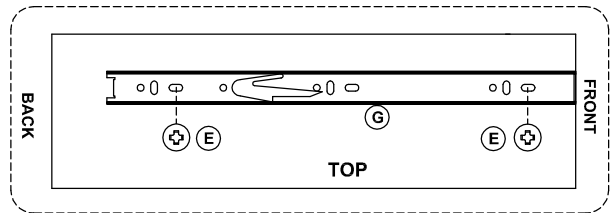
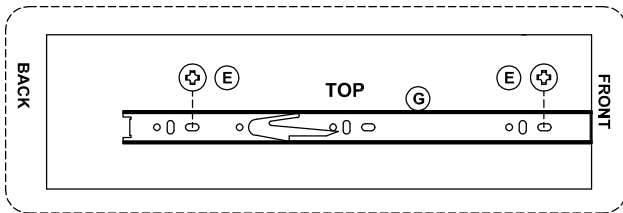


# PREM2000GW

24

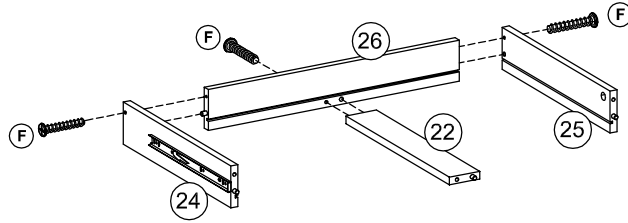


25

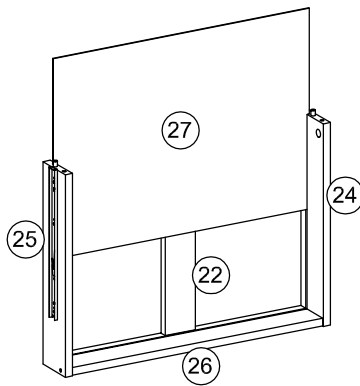


# PREM2000GW

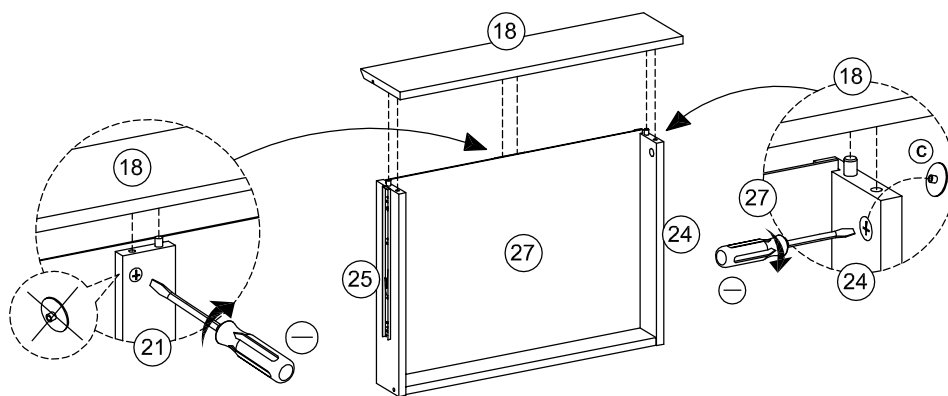
26



27

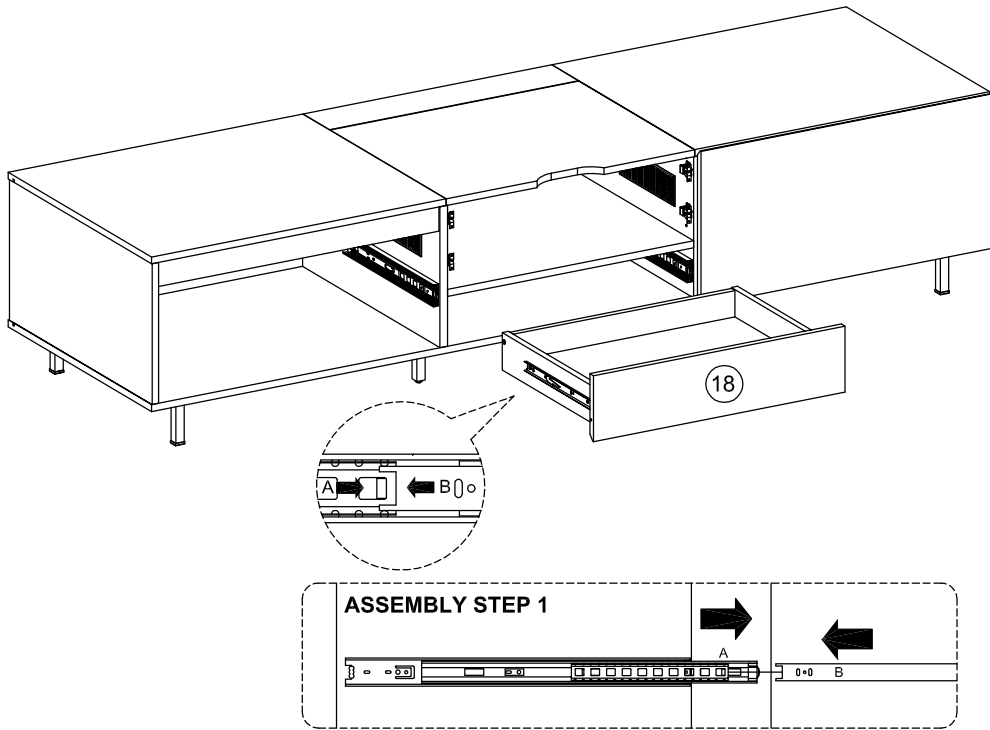


28

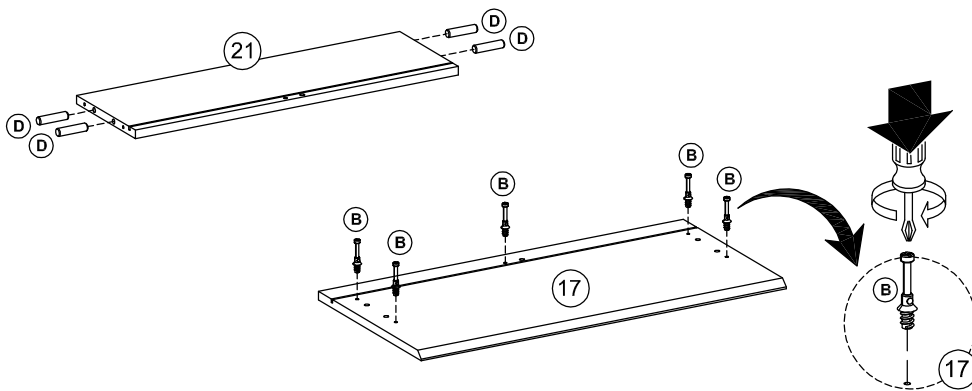


# PREM2000GW

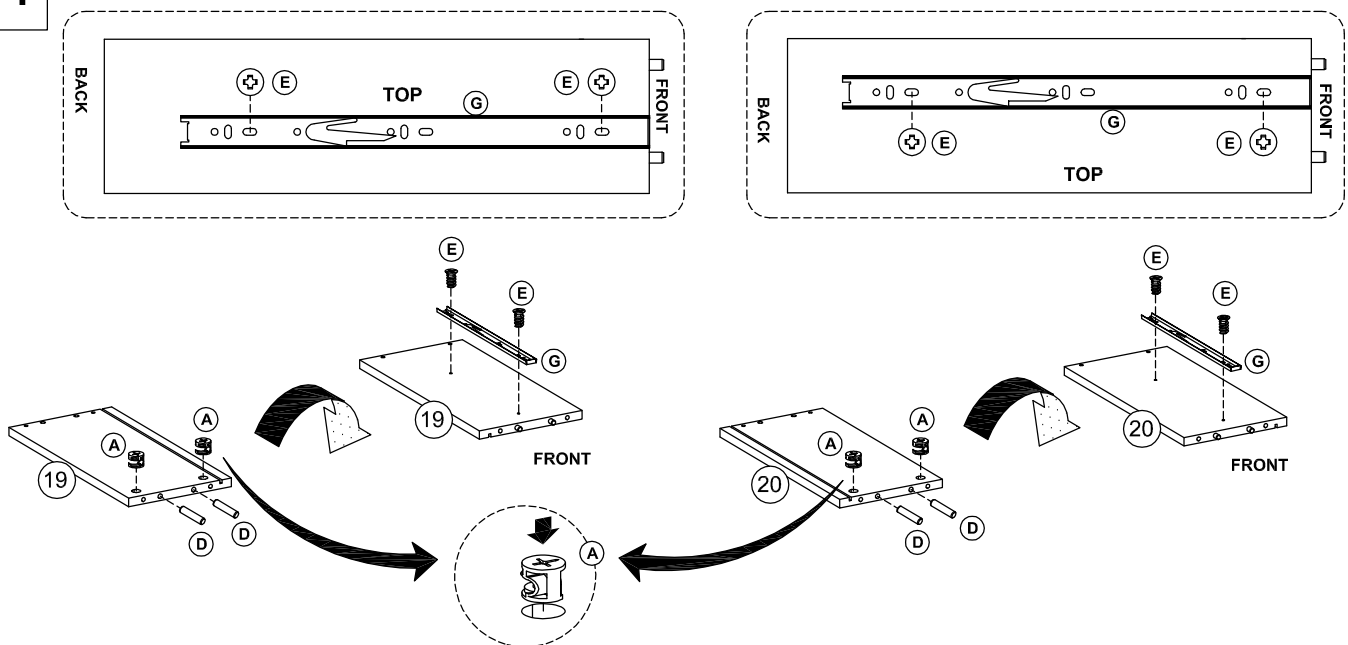
29



30

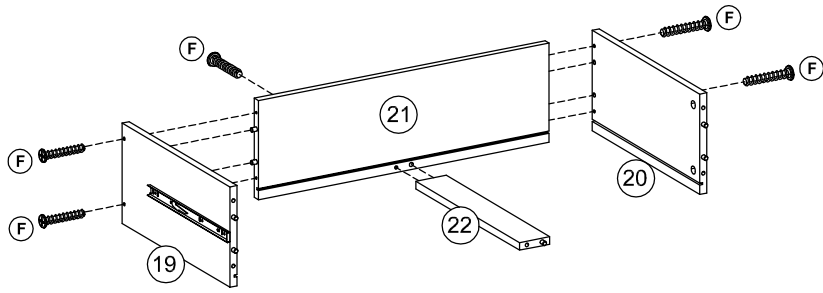


31

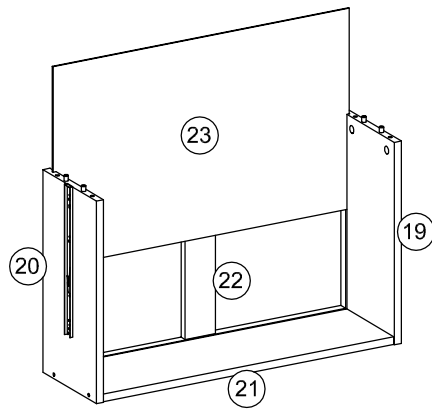


# PREM2000GW

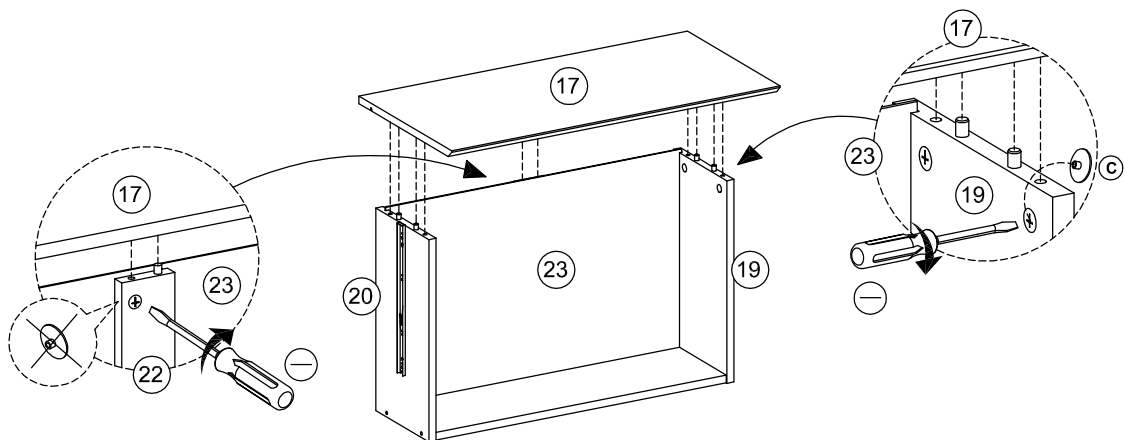
32



33

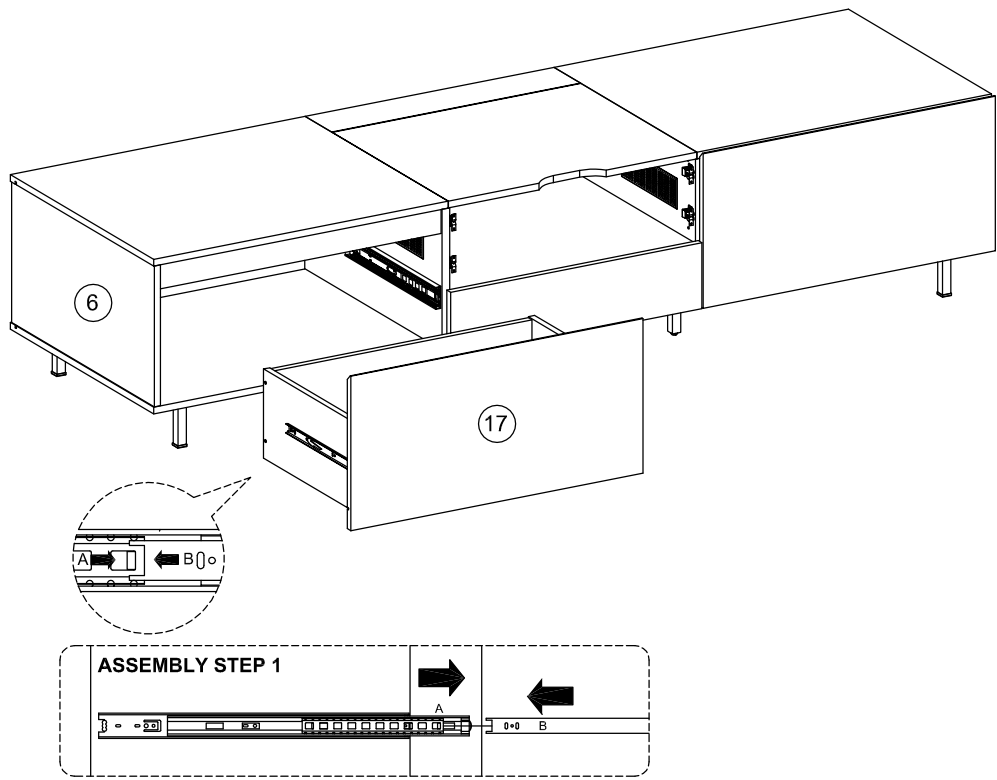


34

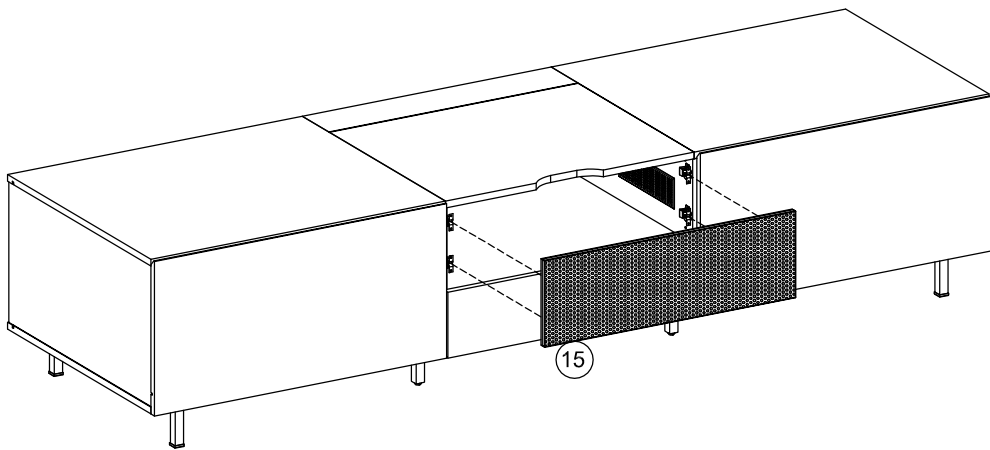


# PREM2000GW

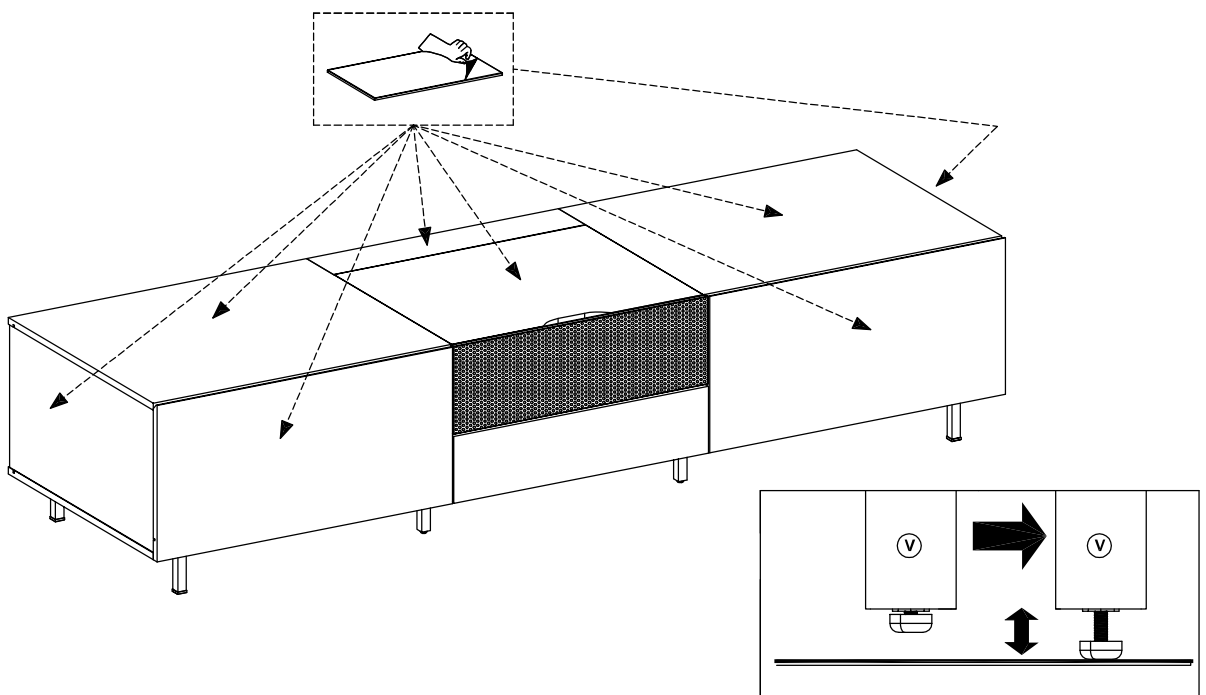
35



36



37



NO	ID PART	DRAWING PART	DESRPTION	UNIQUE CODE OF HARDWARE
1	A		CAMLOCK (15 X 12 MM)	PREM2000GWA
2	B		CAMBOLT (7,5 X 32 MM)	PREM2000GWB
3	C		CAM CAP (17 MM)	PREM2000GWC
4	D		PEN DOWEL (8 X 32 MM)	PREM2000GWD
5	E		FLAT HEAD SCREW (6 X 8 MM)	PREM2000GWE
6	F		FLAT HEAD SCREW (10 X 33,5 MM)	PREM2000GWF
7	G		DRAWER RAIL	PREM2000GWG
8	H		CAMBOLT (DOUBLE END)	PREM2000GWH
9	I		FLAT HEAD SCREW (4 X 13 MM)	PREM2000GWI
10	J		BACKPLY STOPPER	PREM2000GWJ
11	K		FLAT HEAD SCREW (4 X 15 MM)	PREM2000GWK
12	L		BOLT WEDGEFIX	PREM2000GWL
13	M		NEW SHELF PIN	PREM2000GWM
14	N		CATCHES ROLLER	PREM2000GWN
15	O		PAN HEAD SCREW (4 X 10 MM)	PREM2000GWO
16	P		HINGE	PREM2000GWP
17	Q		SHELF PIN	PREM2000GWQ
18	R		CABLE HOLE COVER	PREM2000GWR
19	S		CAMFIX NO TOOL	PREM2000GWS
20	T		PNEUMATIC BRACING 100N PULL DOWN	PREM2000GWT
21	U		LEG	PREM2000GWU
22	V		ADJUSTABLE LEG	PREM2000GWV
23	W		FLAT HEAD SCREW (6 X 13 MM)	PREM2000GWW

NO	ID PART	DESRPTION	UNIQUE CODE OF HARDWARE
1	1	TOP PANEL (LEFT)	PREM2000GW1
2	2	TOP PANEL (RIGHT)	PREM2000GW2
3	3	TOP PANEL (FRONT)	PREM2000GW3
4	4	TOP PANEL (REAR)	PREM2000GW4
5	5	BOTTOM PANEL	PREM2000GW5
6	6	SIDE PANEL (LEFT)	PREM2000GW6
7	7	SIDE PANEL (RIGHT)	PREM2000GW7
8	8	DIVIDER PANEL (LEFT)	PREM2000GW8
9	9	DIVIDER PANEL (RIGHT)	PREM2000GW9
10	10	ADJUSTABLE SHELF (RIGHT)	PREM2000GW10
11	11	ADJUSTABLE SHELF (MIDDLE)	PREM2000GW11
12	12	REAR PANEL	PREM2000GW12
13	13	BACKPANEL	PREM2000GW13
14	14	TOP SUPPORT PANEL	PREM2000GW14
15	15	SPEAKER COVER	PREM2000GW15
16	16	DOOR	PREM2000GW16
17	17	DRAWER FRONT PANEL (SIDE)	PREM2000GW17
18	18	DRAWER FRONT PANEL (MIDDLE)	PREM2000GW18
19	19	DRAWER LEFT SIDE PANEL (SIDE)	PREM2000GW19
20	20	DRAWER RIGHT SIDE PANEL (SIDE)	PREM2000GW20
21	21	DRAWER REAR SIDE PANEL (SIDE)	PREM2000GW21
22	22	DRAWER SUPPORT SIDE PANEL (SIDE)	PREM2000GW22
23	23	DRAWER BOTTOM SIDE PANEL (SIDE)	PREM2000GW23
24	24	DRAWER LEFT SIDE PANEL (MIDDLE)	PREM2000GW24
25	25	DRAWER RIGHT SIDE PANEL (MIDDLE)	PREM2000GW25
26	26	DRAWER REAR SIDE PANEL (MIDDLE)	PREM2000GW26
27	27	DRAWER BOTTOM SIDE PANEL (MIDDLE)	PREM2000GW27