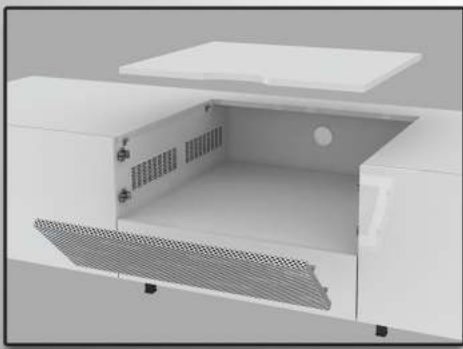
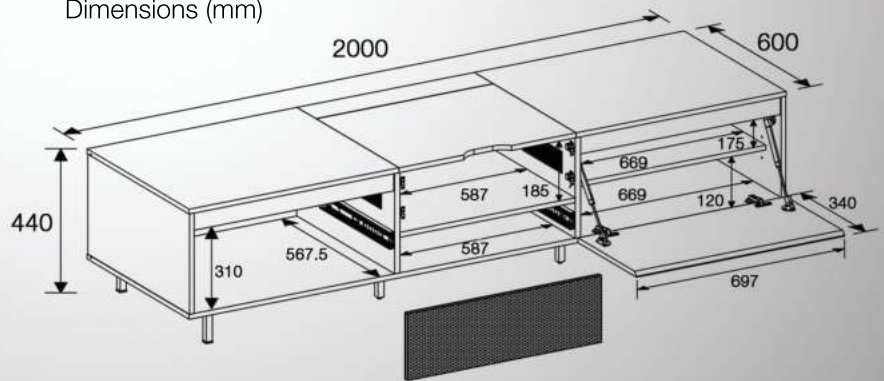


# PREM2000



Dimensions (mm)



Available in colours

UST  
Projector

55 KG

Laminated  
MDP



Black Gloss



White Gloss



## Introduction

The Premiere series is designed to elegantly house your ultra-short throw projector. Gone are the days of unsightly clutter on the top of your AV cabinet, the Premiere allows you to neatly store your projector and simply remove the detachable top for use.

## Features

- Fabric grill mesh
- Contemporary styling, designed for UST Projectors
- Cable management for tidy installation
- Left drawer and right hinge door with shelf for all your AV needs



AV Supply Group | [www.avsupply.co.nz](http://www.avsupply.co.nz) & [www.avsupply.com.au](http://www.avsupply.com.au)

