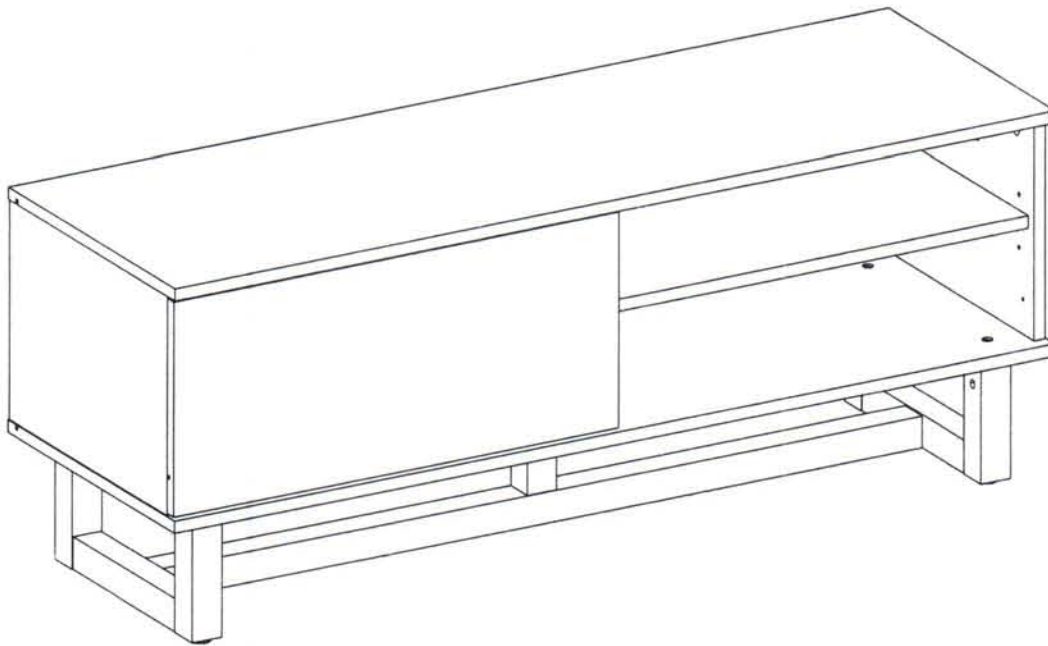




## ASSEMBLY INSTRUCTIONS

### RZ1200BO

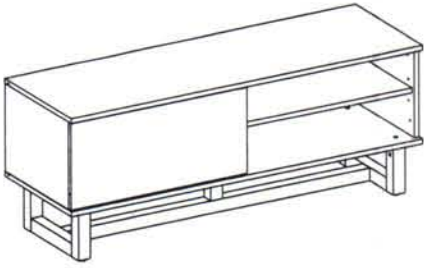
## RAZE SERIES MODULAR AV CABINET



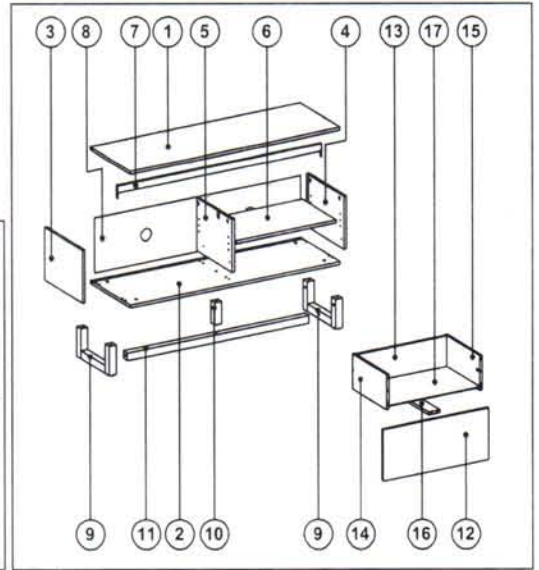
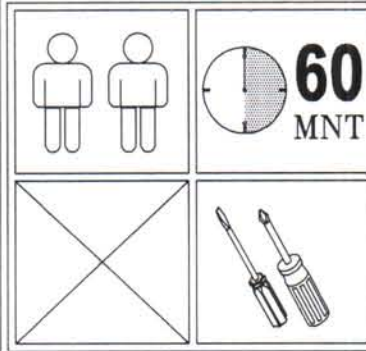
Thank you for choosing AVS RZ1200BO AV Furniture. Before beginning assembly, please check all parts are included and undamaged. For any assembly or parts enquiries, please contact AV Supply Group Ltd on (09) 2749172 or email to [info@avsupply.co.nz](mailto:info@avsupply.co.nz)

" **IMPORTANT:** Please Choose your preferred configuration BEFORE installing draws & shelves "  
" **IMPORTANT:** REMOVE protective plastic film from panels BEFORE assembling the cabinet "

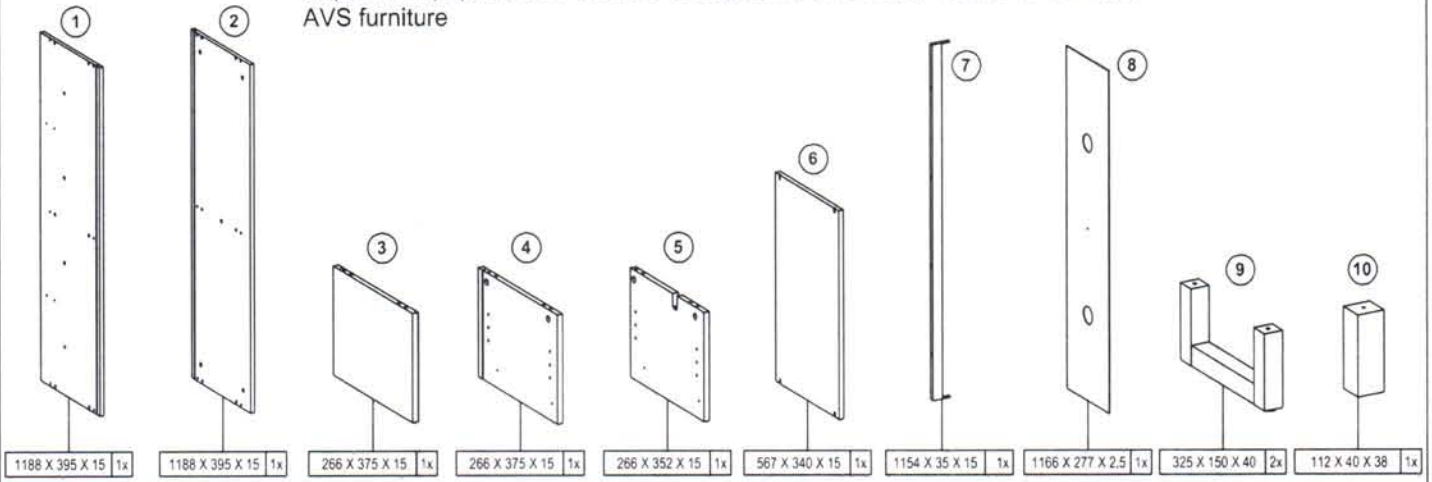
# RZ1200BO



The cabinet top supports up to 55 kg (121 lbs.)  
 The drawer supports up to 10 kg (22 lbs.)  
 The shelf supports up to 5 kg (11 lbs.)

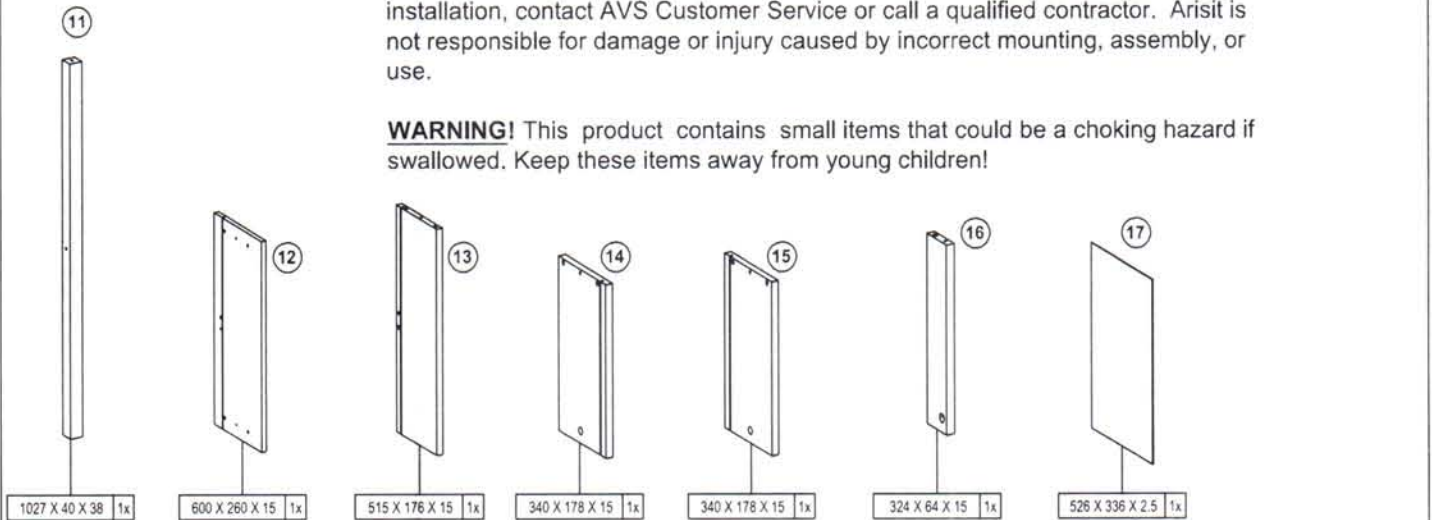


**PRODUCT CARE:** Care for your furniture by cleaning with glass cleaner and a disposable paper towel, do NOT use abrasive chemical products to clean your AVS furniture



**CAUTION:** Do not use this product for any purpose not explicitly specified by AVS. Improper installation may cause property damage or personal injury. If you do not understand these directions, or have doubts about the safety of the installation, contact AVS Customer Service or call a qualified contractor. Arisit is not responsible for damage or injury caused by incorrect mounting, assembly, or use.

**WARNING!** This product contains small items that could be a choking hazard if swallowed. Keep these items away from young children!

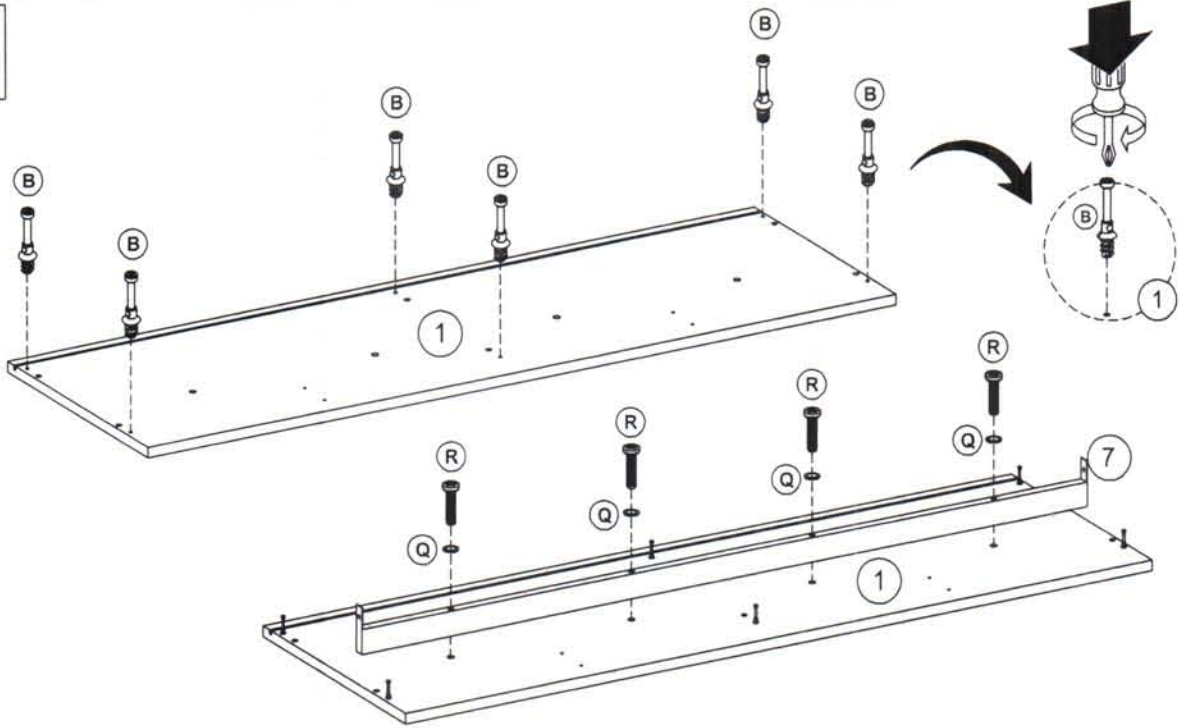


AX 11	BX 11	CX 8	DX 22	EX 11	FX 6
GX 1SET	HX 1	IX 4	JX 4	KX 4	LX 14
MX 14	NX 3	OX 4	PX 4	QX 4	RX 4
SX 1	TX 2	UX 2	VX 2	WX 2	XX 2

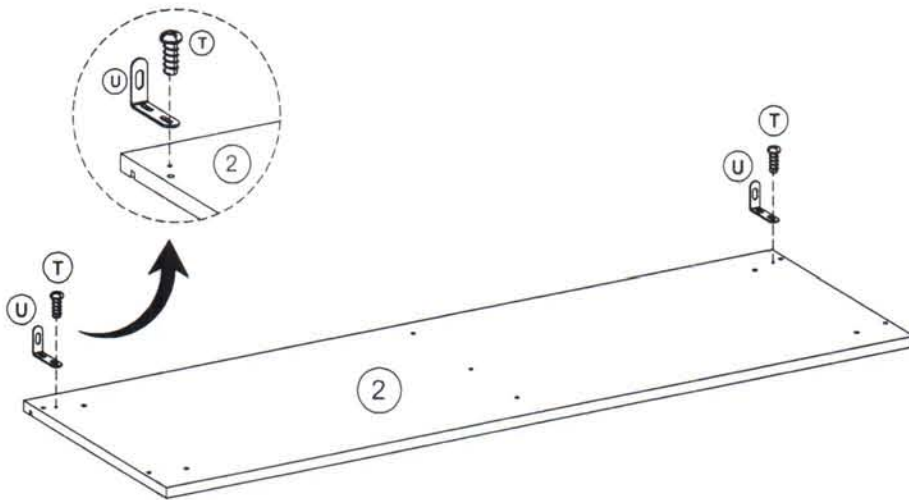
AV Supply Group (AVS) intends to make this manual accurate and complete. However, AVS makes no claim that the information contained herein covers all details, conditions, or variations. Nor does it provide for every possible contingency in connection with the installation or use of this product. The information contained in this document is subject to change without notice or obligation of any kind. AVS makes no representation of warranty, expressed or implied, regarding the information contained herein. AVS assumes no responsibility for accuracy, completeness or sufficiency of the information contained in this document.

# RZ1200BO

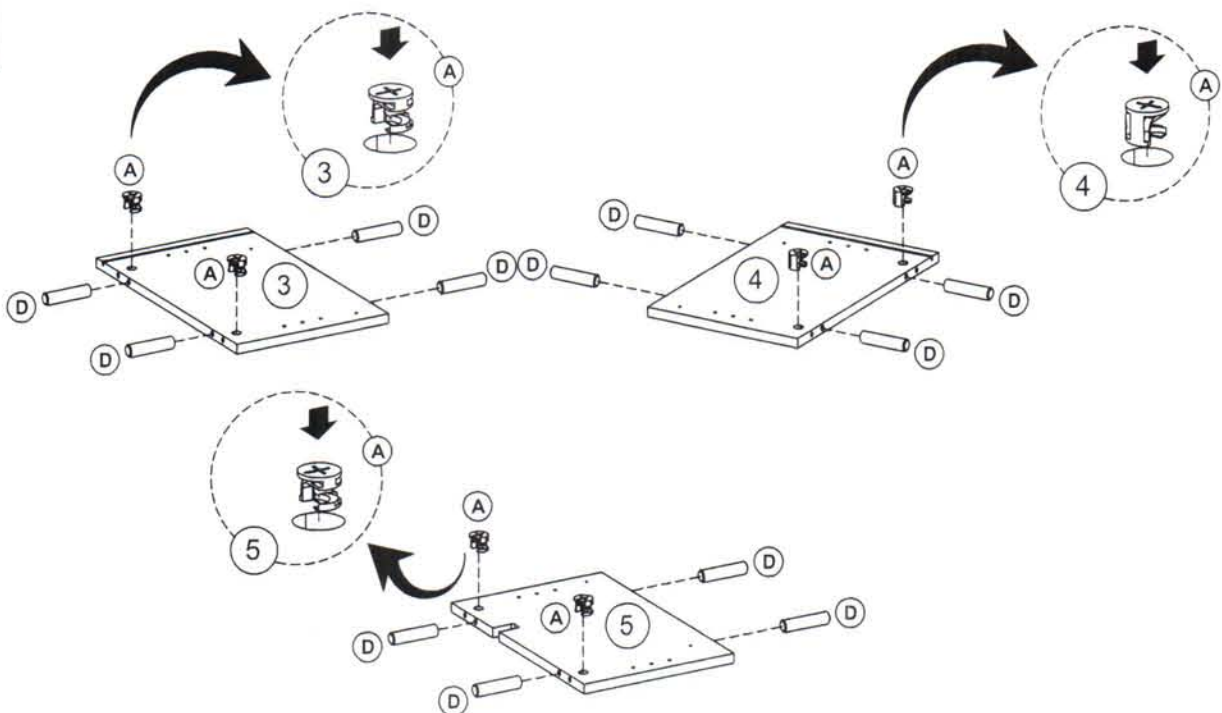
1



2



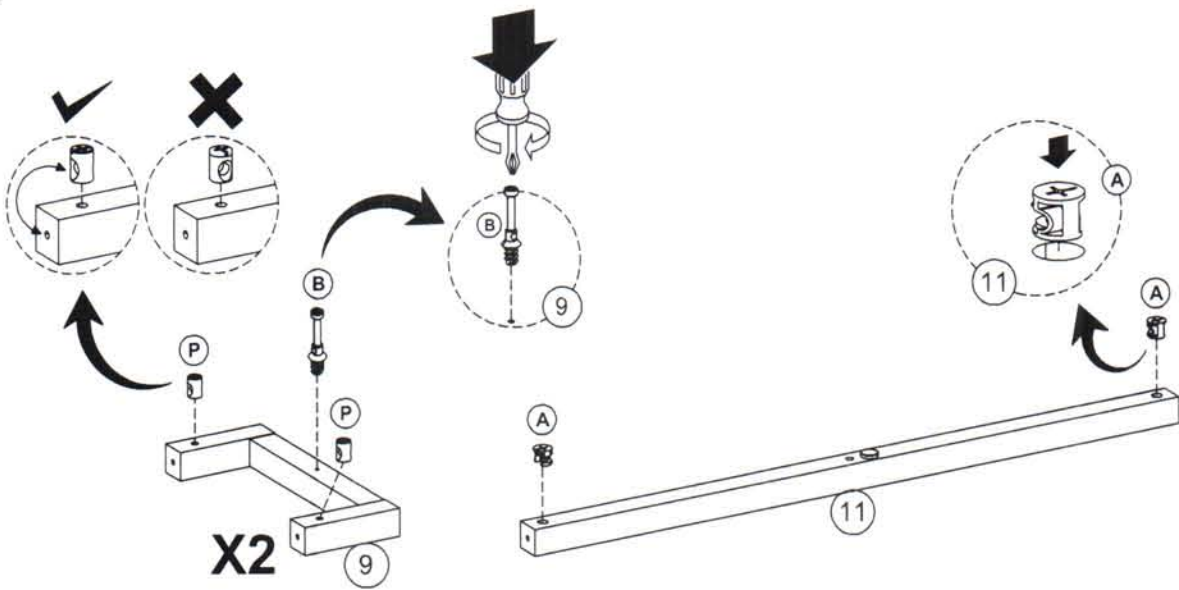
3



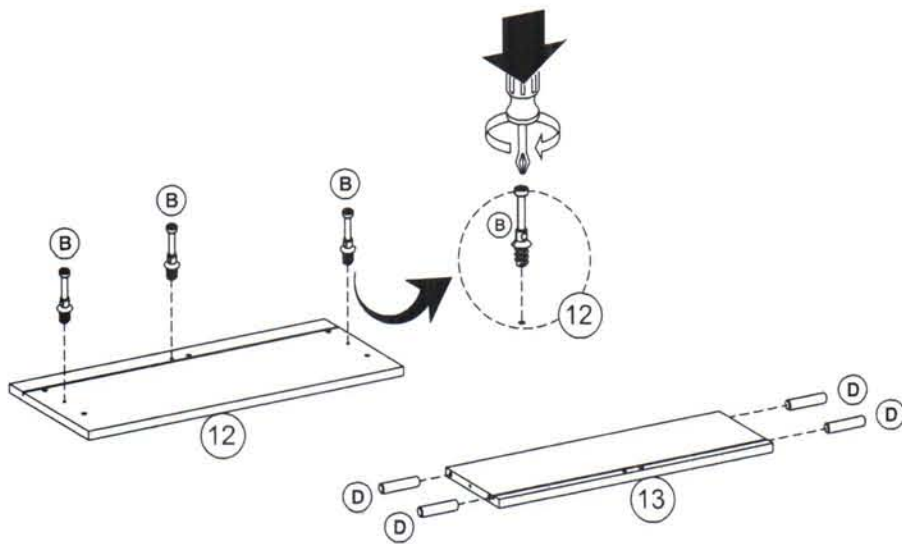


# RZ1200BO

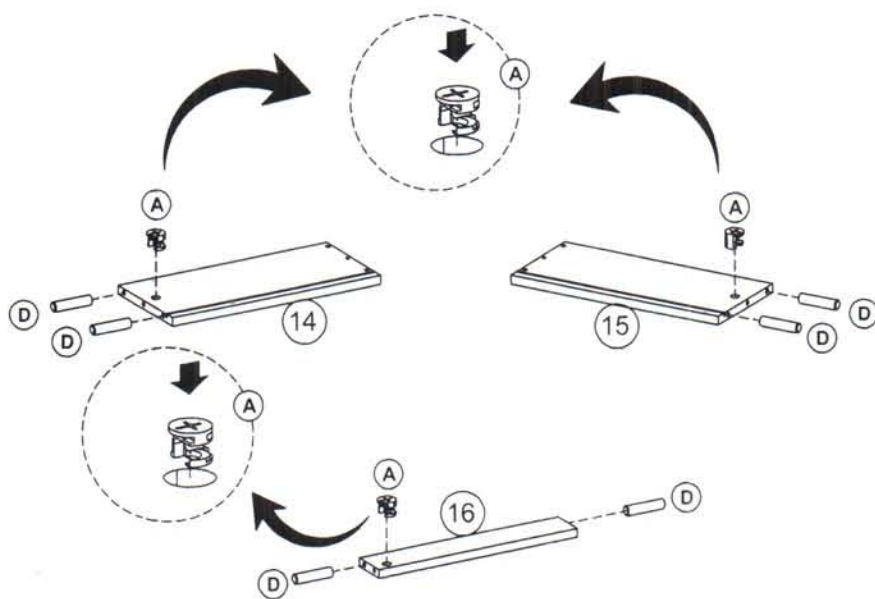
4



5

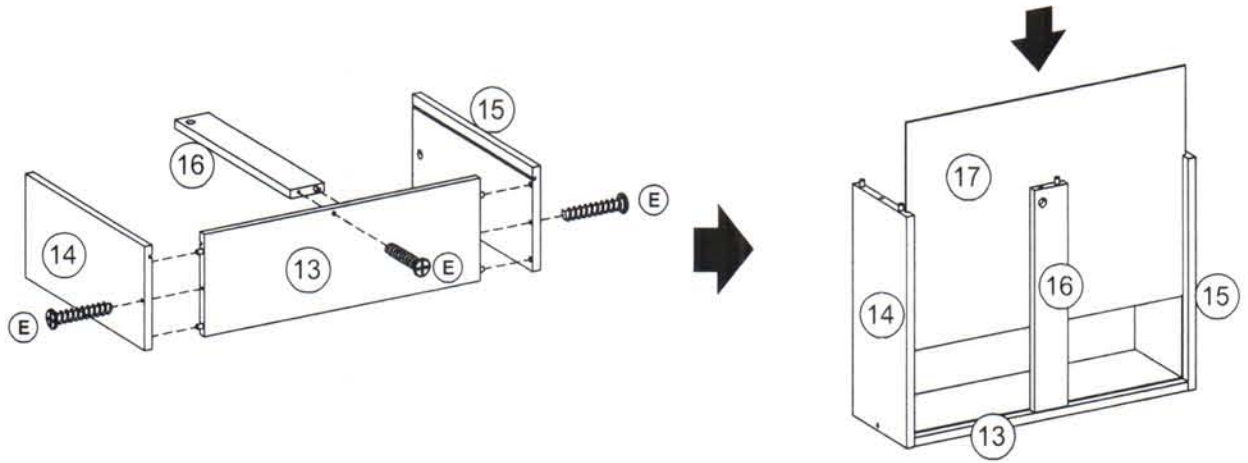


6

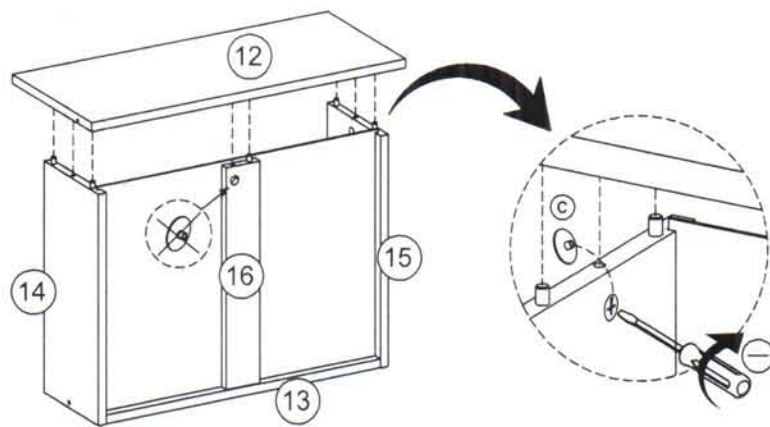


# RZ1200BO

7

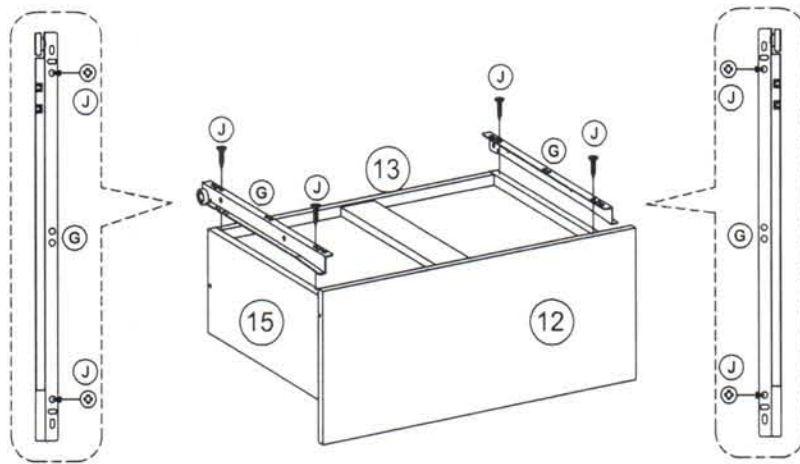


8

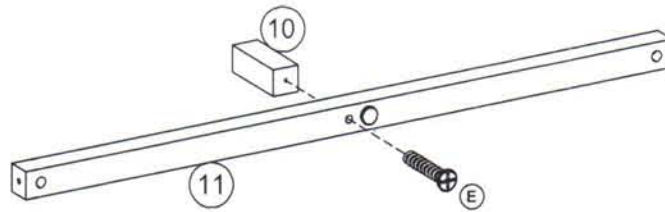


# RZ1200BO

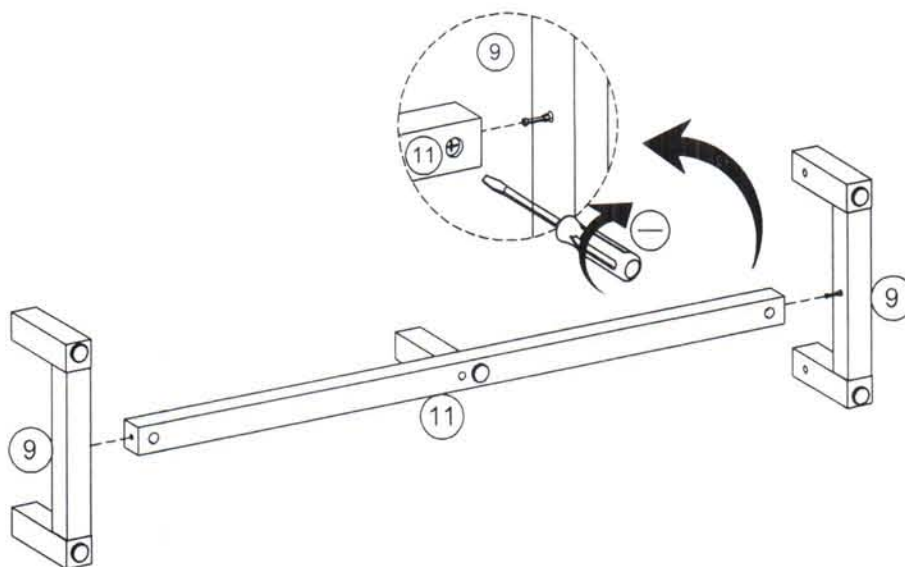
9



10

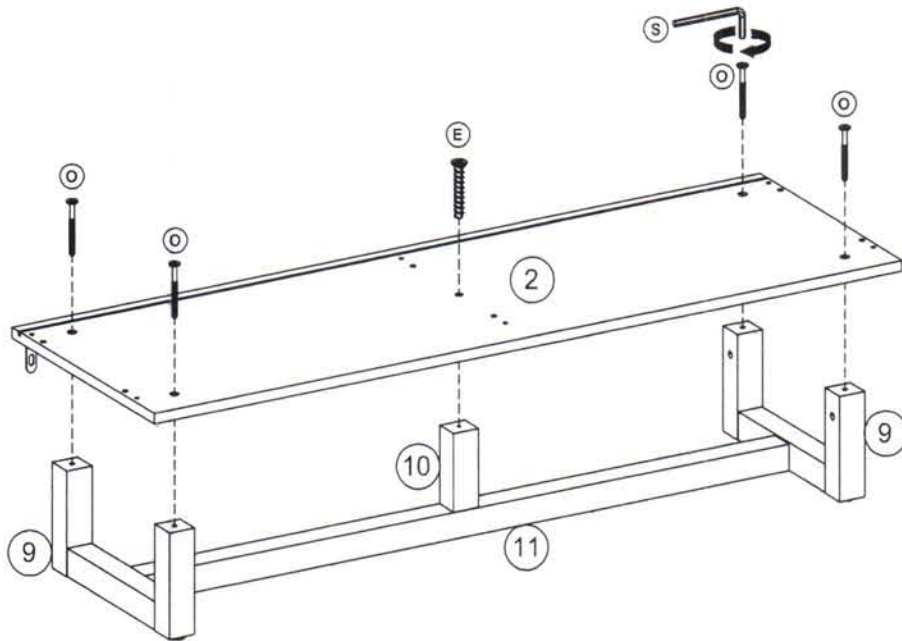


11

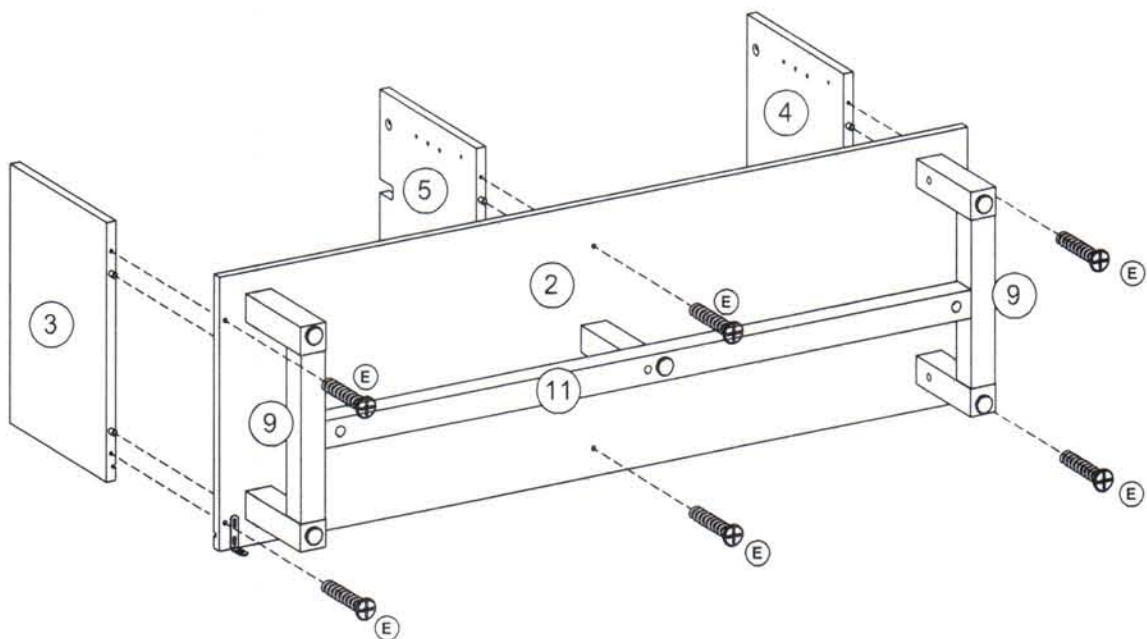


# RZ1200BO

12

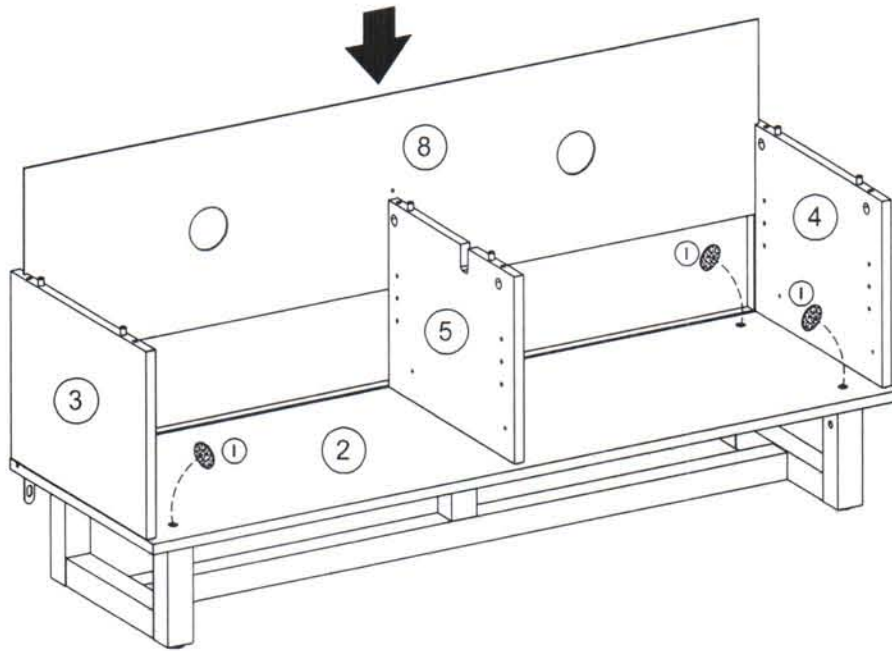


13

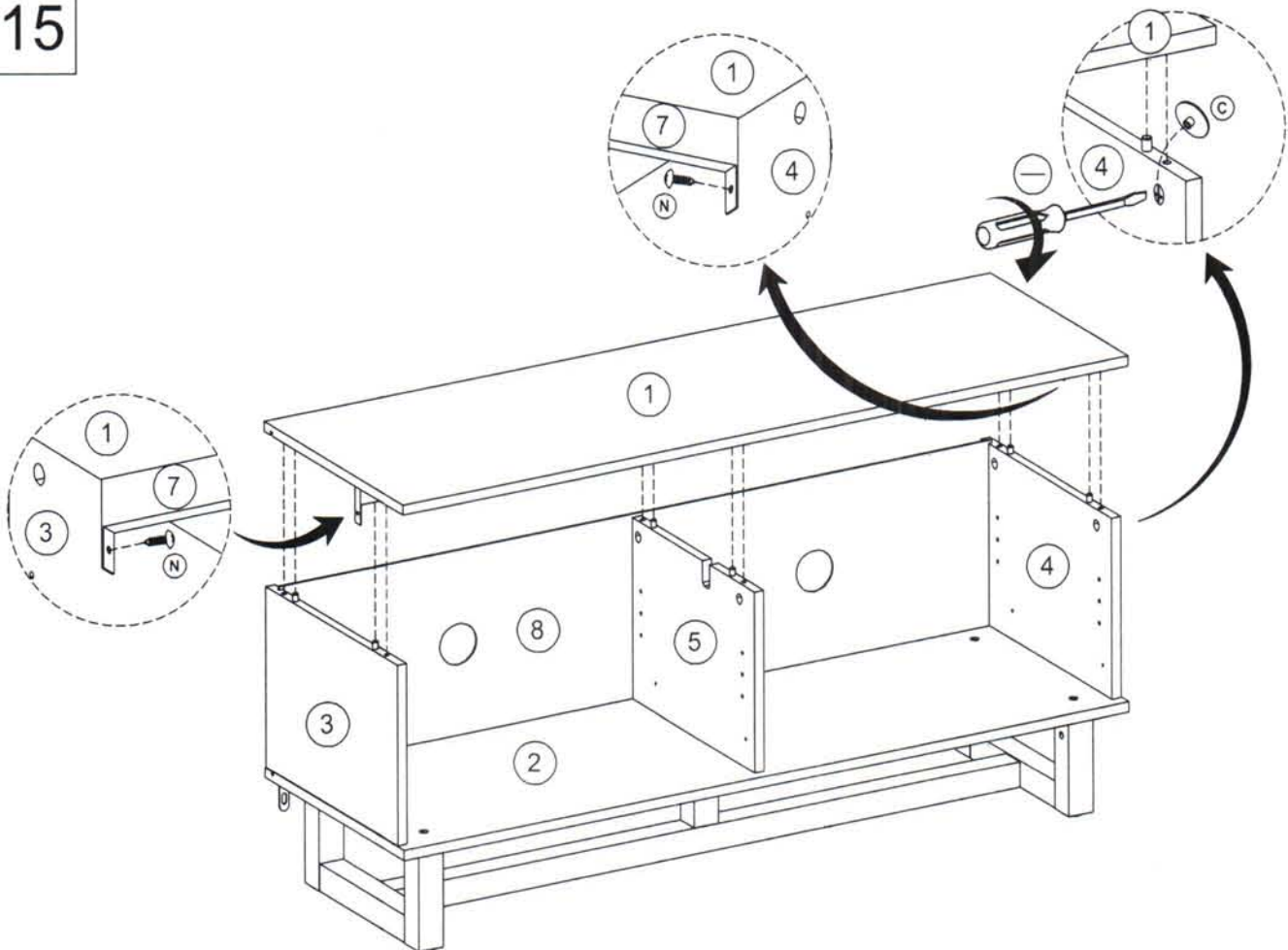


# RZ1200BO

14



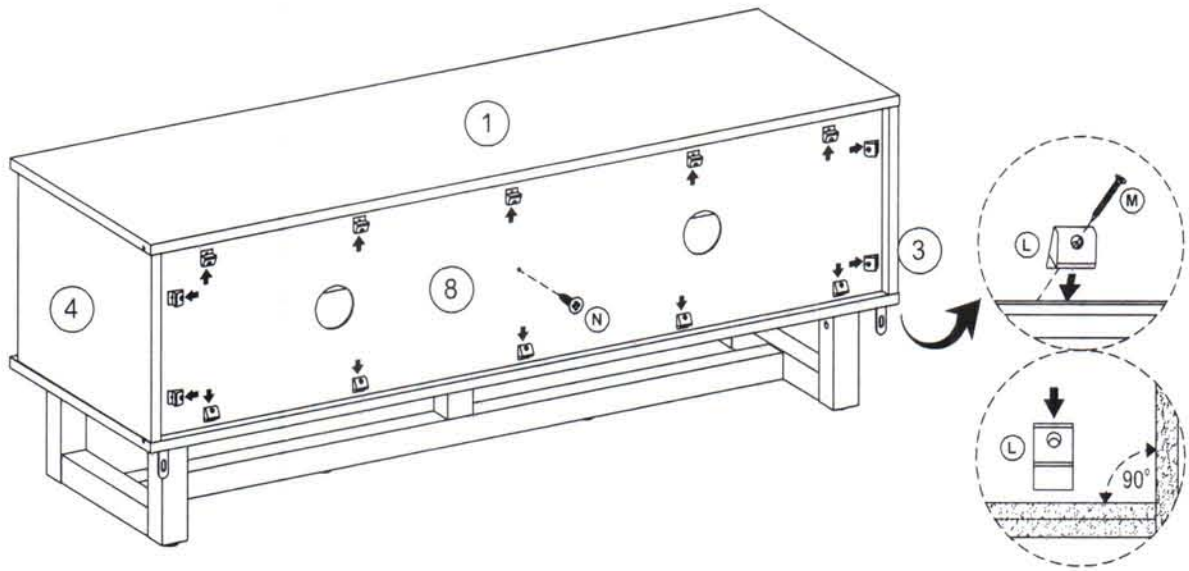
15





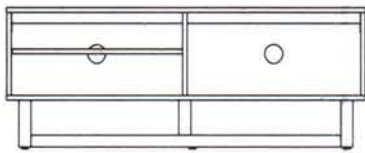
# RZ1200BO

16

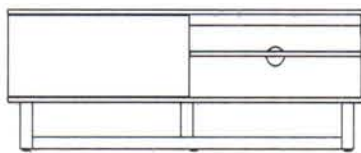


## OPTIONAL FOR ASSEMBLY DRAWER & SHELF

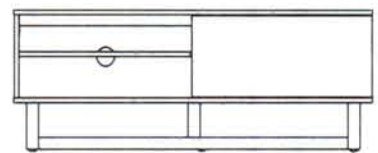
OPTION 1



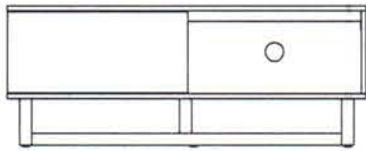
OPTION 2



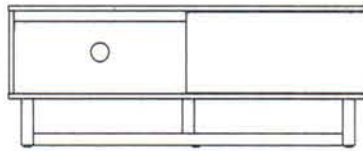
OPTION 3



OPTION 4

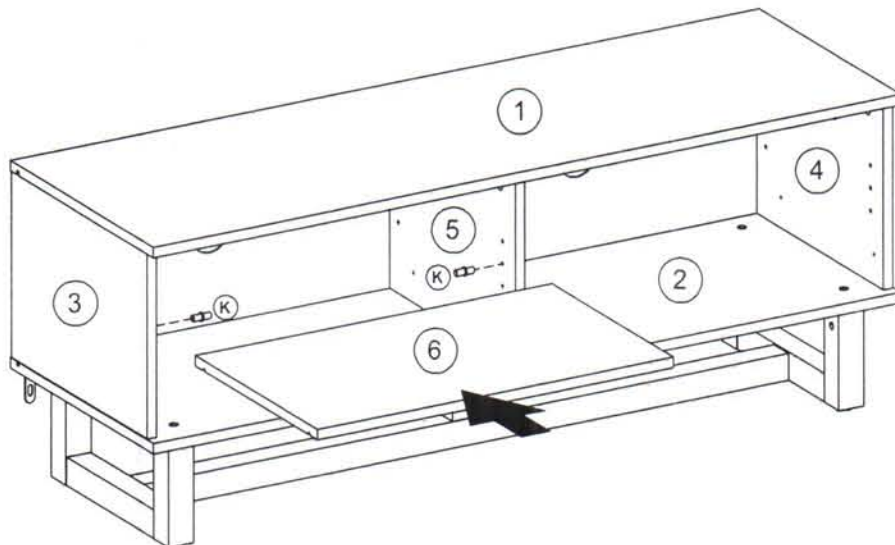
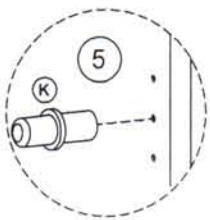
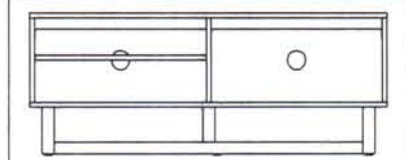


OPTION 5



17

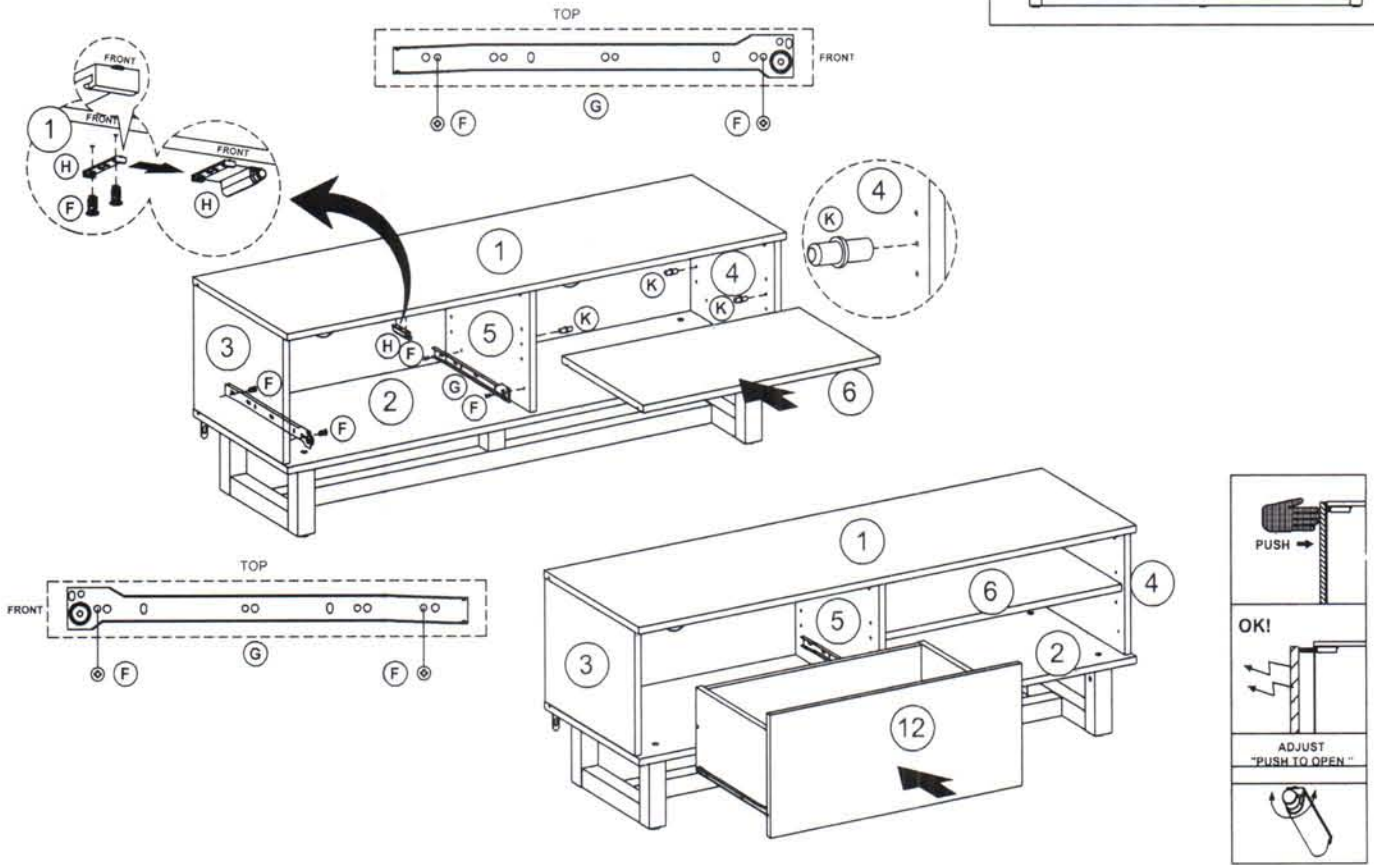
## OPTION 1



# RZ1200BO

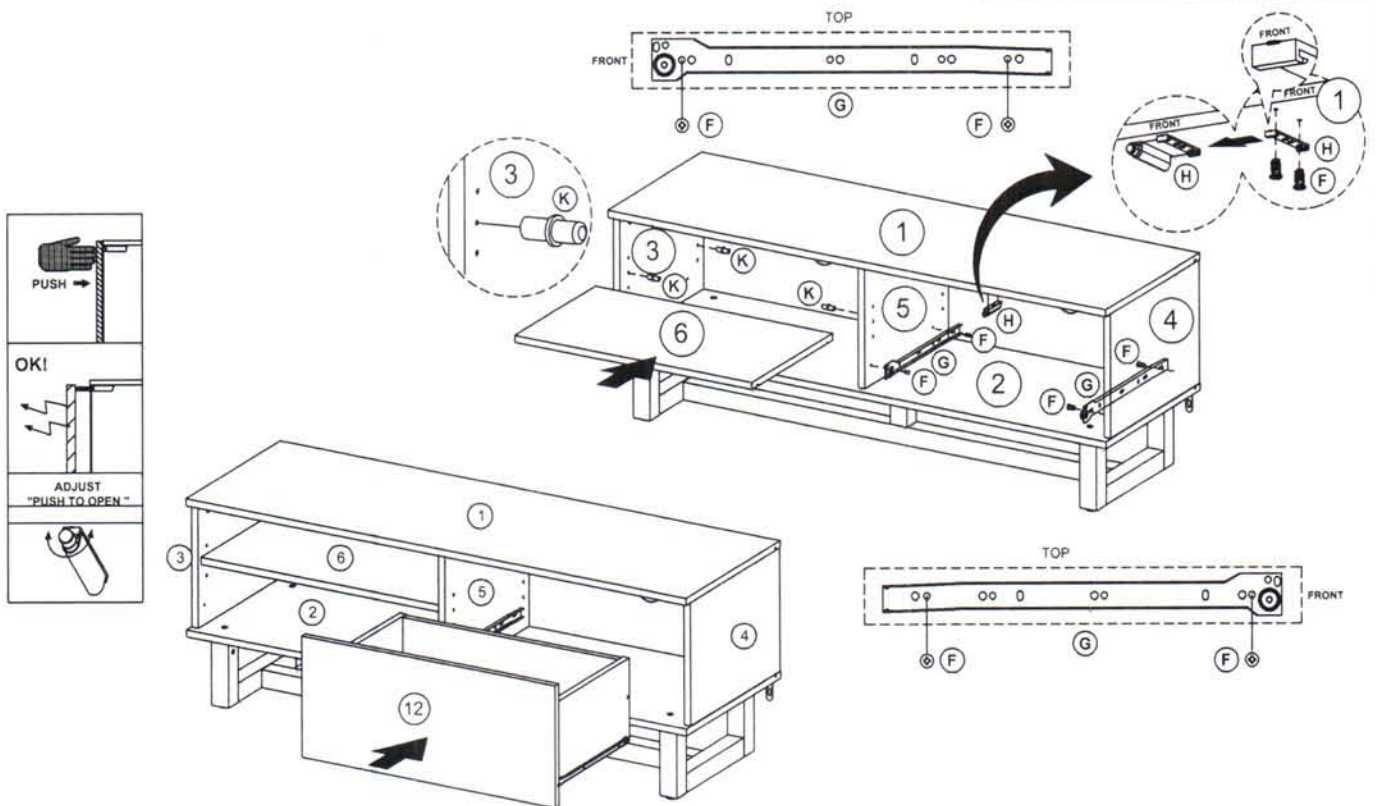
17

## OPTION 2



17

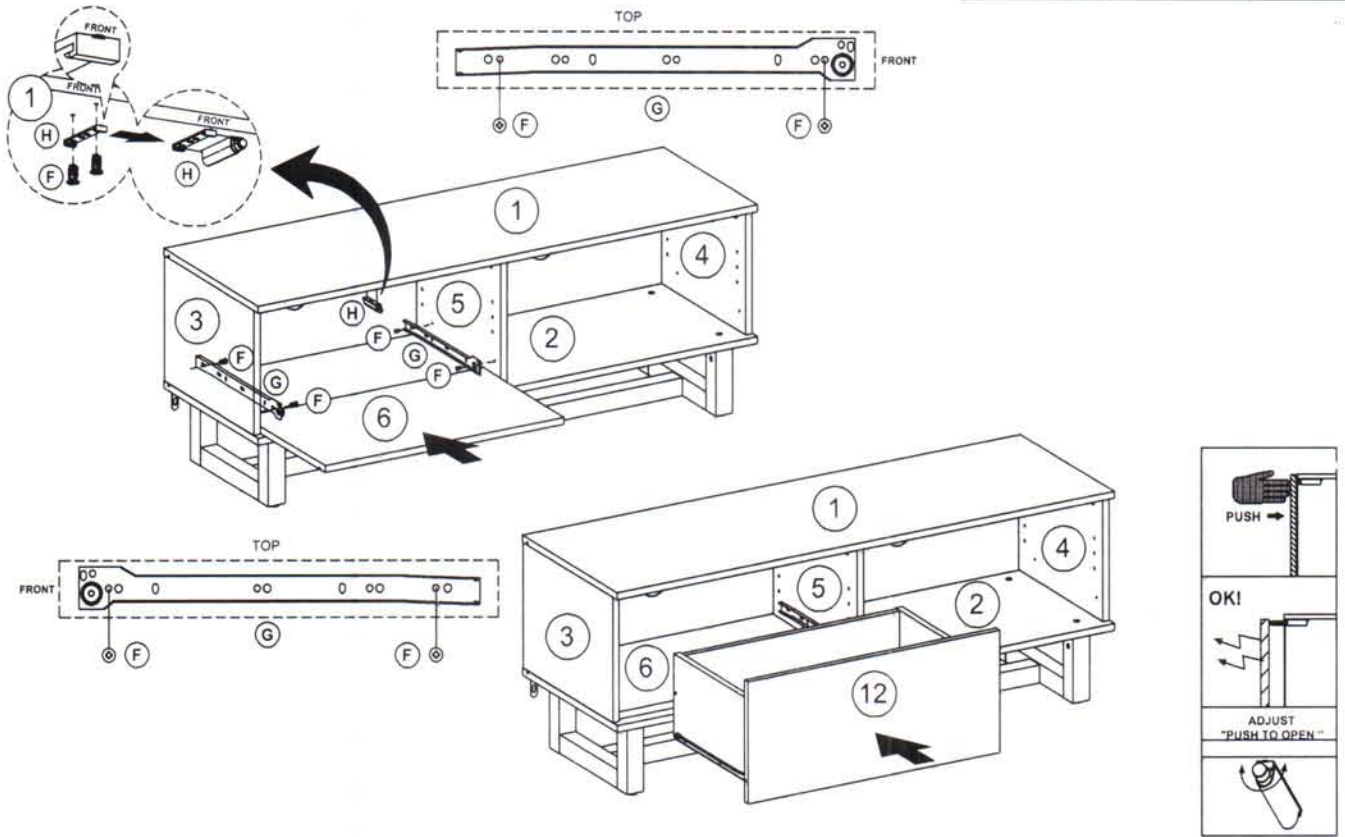
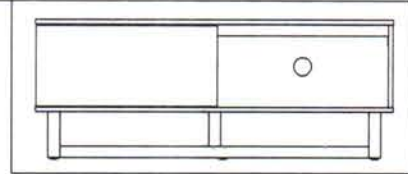
## OPTION 3



# RZ1200BO

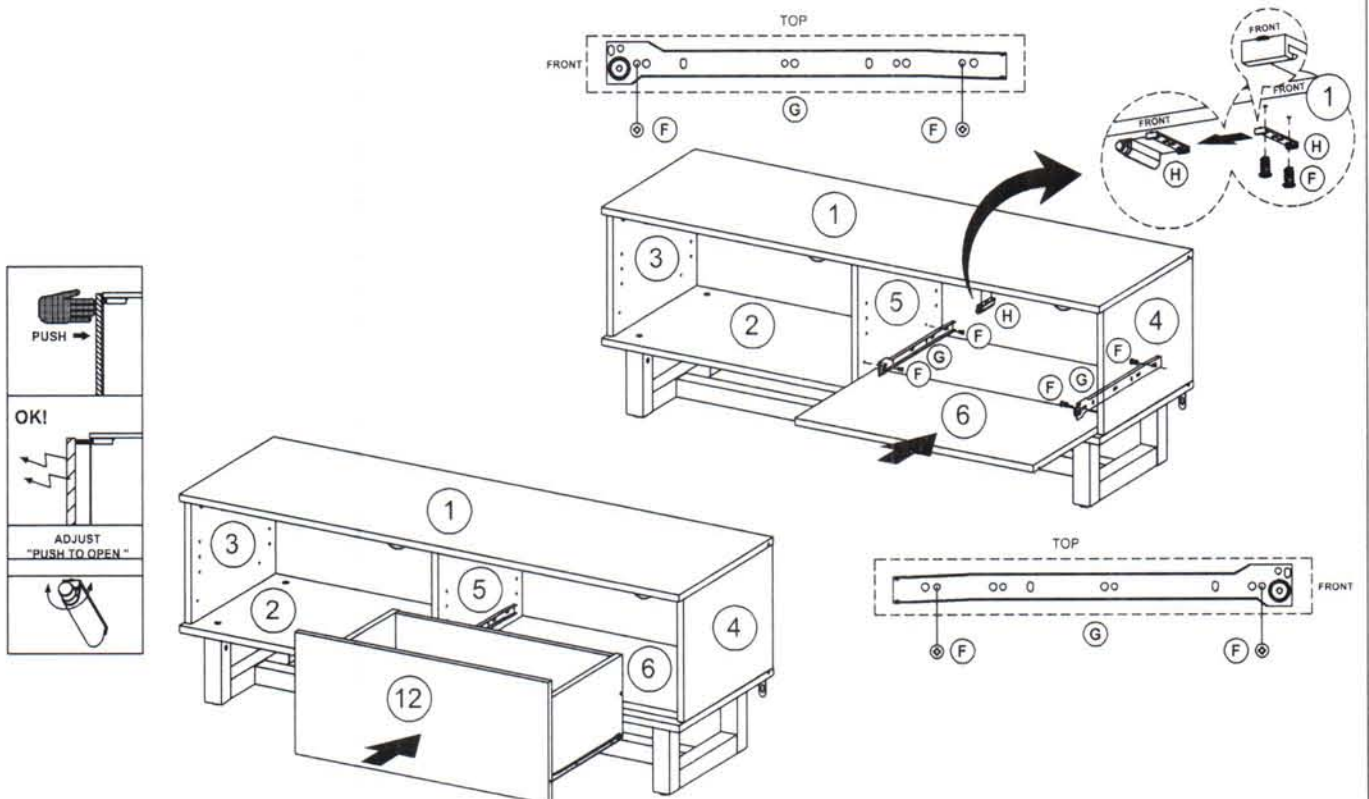
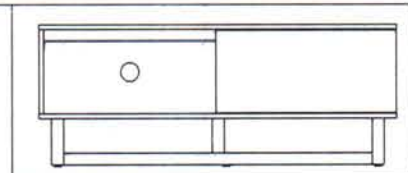
17

## OPTION 4



17

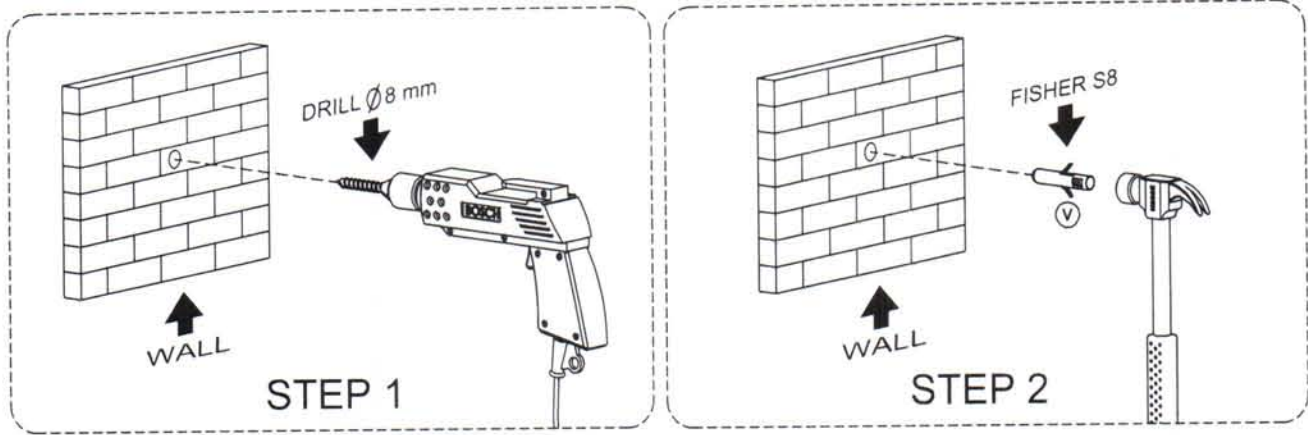
## OPTION 5



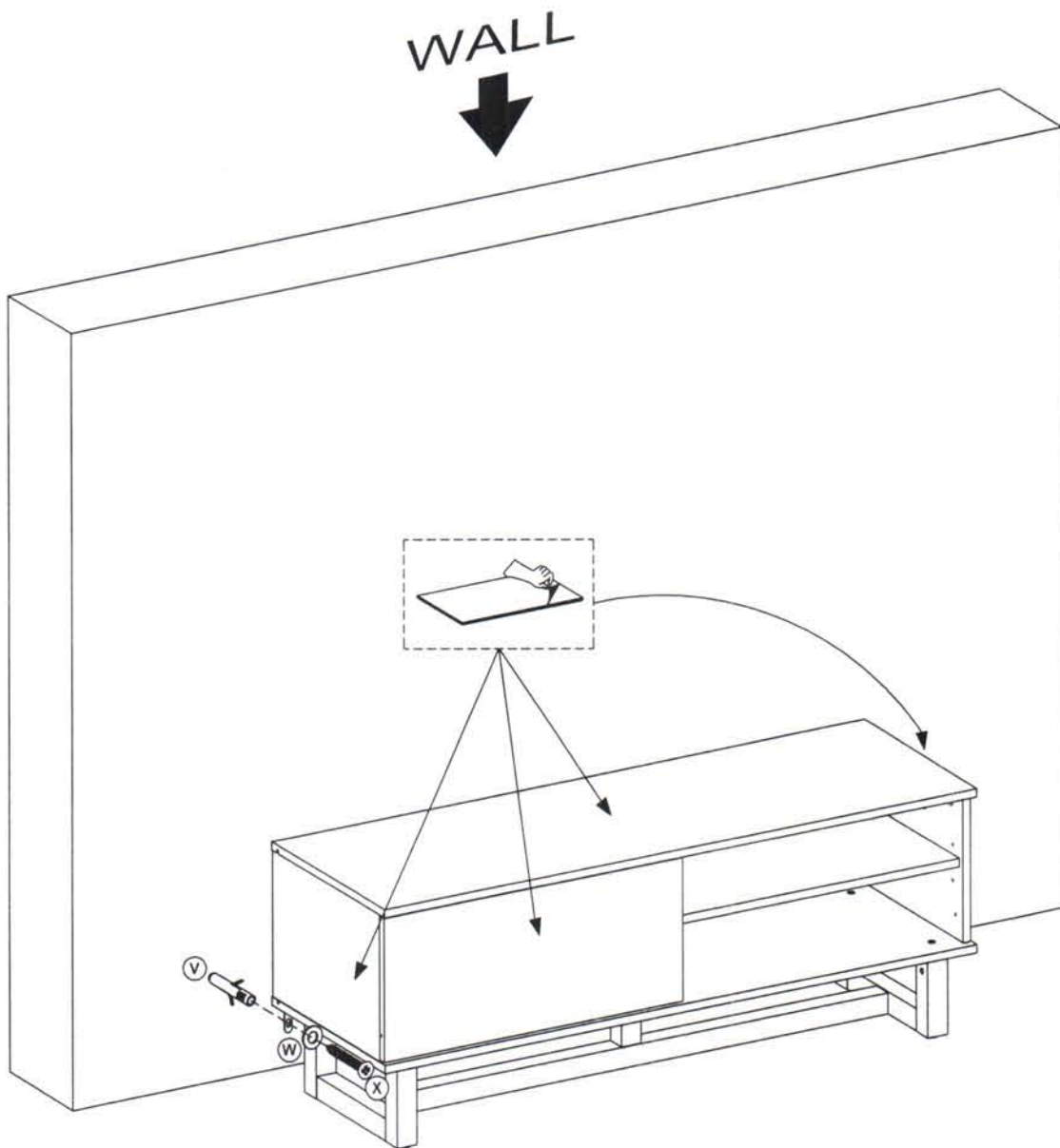


# RZ1200BO

18



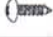



" We recommend using the safety bracket included or a Branded TV safety strap for your safety to prevent Cabinet & TV Tip over. "



" Remove the protective plastic film from the panels before your start assembling the cabinets. "



NO	ID PART	DRAWING PART	DESCRIPTION	UNIQUE CODE OF HARDWARE
1	A		CAMLOCK (15 X 12 MM)	RZ1200BOA
2	B		CAMBOLT (7,5 X 32 MM)	RZ1200BOB
3	C		CAM CAP (17 MM)	RZ1200BOC
4	D		PEN DOWEL (8 X 32 MM)	RZ1200BOD
5	E		FLAT HEAD SCREW (10 X 33,5 MM)	RZ1200BOE
6	F		FLAT HEAD SCREW (6 X 8 MM)	RZ1200BOF
7	G		RAIL SELF CLOSING (350 MM)	RZ1200BOG
8	H		PUSH TO OPEN	RZ1200BOH
9	I		CAM STICKER (20 MM)	RZ1200BOI
10	J		FLAT HEAD SCREW (6 X 13 MM)	RZ1200BOJ
11	K		SHELF PIN	RZ1200BOK
12	L		BACKPLY STOPPER	RZ1200BOL
13	M		FLAT HEAD SCREW (4 X 19 MM)	RZ1200BOM
14	N		PAN HEAD SCREW (3 X 12 MM)	RZ1200BON
15	O		FLAT HEAD SCREW (6 X 50 MM)	RZ1200BOO
16	P		BARREL NUT	RZ1200BOP
17	Q		SPRING RING	RZ1200BOQ
18	R		PAN HEAD SCREW (6 X 45 MM)	RZ1200BOR
19	S		ALLEN KEY	RZ1200BOS
20	T		PAN HEAD SCREW (4 X 10 MM)	RZ1200BOT
21	U		L-PLATE	RZ1200BOU
22	V		FISHER S8	RZ1200BOV
23	W		WASHER PLATE	RZ1200BOW
24	X		FLAT HEAD SCREW (8 X 38 MM)	RZ1200BOX

NO	ID PART	DESCRIPTION	UNIQUE CODE OF HARDWARE
1	1	TOP PANEL	RZ1200BO1
2	2	BOTTOM PANEL	RZ1200BO2
3	3	SIDE PANEL (LEFT)	RZ1200BO3
4	4	SIDE PANEL (RIGHT)	RZ1200BO4
5	5	DIVIDER PANEL	RZ1200BO5
6	6	ADJUSTABLE SHELF	RZ1200BO6
7	7	TOP PANEL PIPE SUPPORT	RZ1200BO7
8	8	BACKPANEL	RZ1200BO8
9	9	SIDE LEG	RZ1200BO9
10	10	MIDDLE LEG	RZ1200BO10
11	11	BOTTOM SUPPORT PANEL	RZ1200BO11
12	12	FRONT DRAWER PANEL	RZ1200BO12
13	13	REAR DRAWER PANEL	RZ1200BO13
14	14	LEFT DRAWER PANEL	RZ1200BO14
15	15	RIGHT DRAWER PANEL	RZ1200BO15
16	16	BOTTOM SUPPORT DRAWER PANEL	RZ1200BO16
17	17	BOTTOM DRAWER PANEL	RZ1200BO17