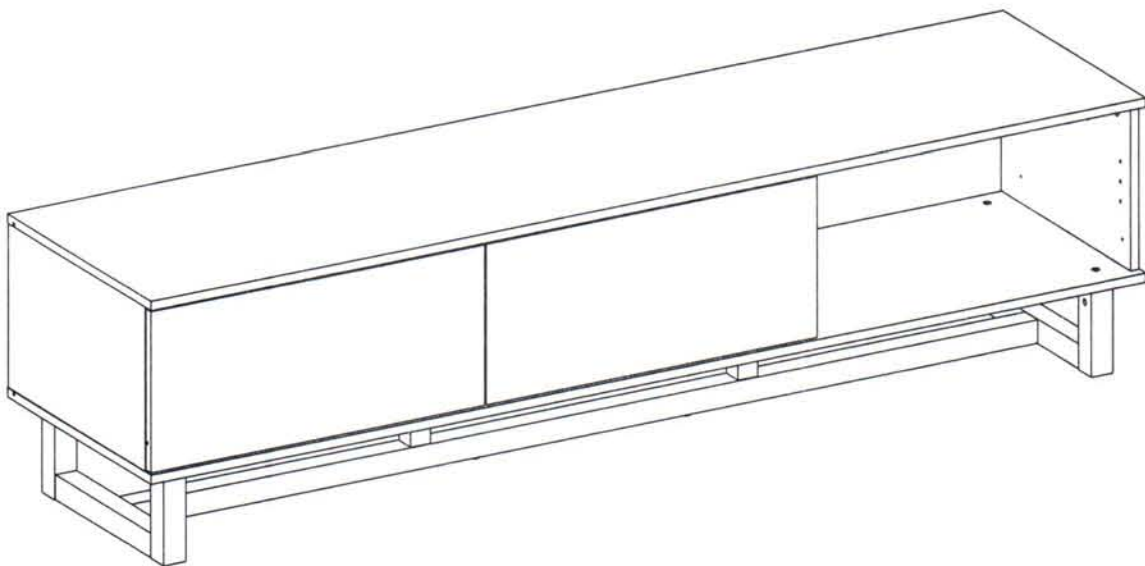




ASSEMBLY INSTRUCTIONS

RZ1800WO

RAZE SERIES MODULAR AV CABINET

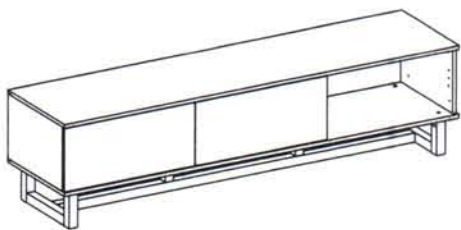


Thank you for choosing AVS RZ1800WO AV Furniture. Before beginning assembly, please check all parts are included and undamaged. For any assembly or parts enquiries, please contact AV Supply Group Ltd on (09) 2749172 or email to info@avsupply.co.nz

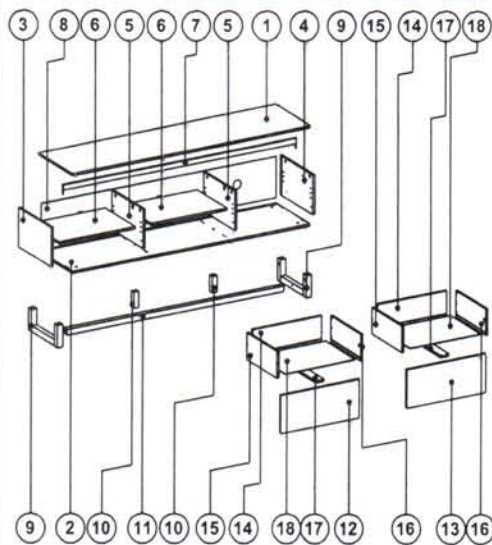
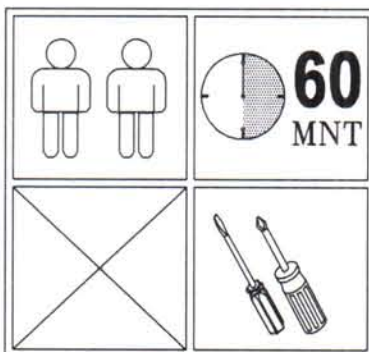
" **IMPORTANT:** Please Choose your preferred configuration BEFORE installing draws & shelves "

" **IMPORTANT:** REMOVE protective plastic film from panels BEFORE assembling the cabinet "

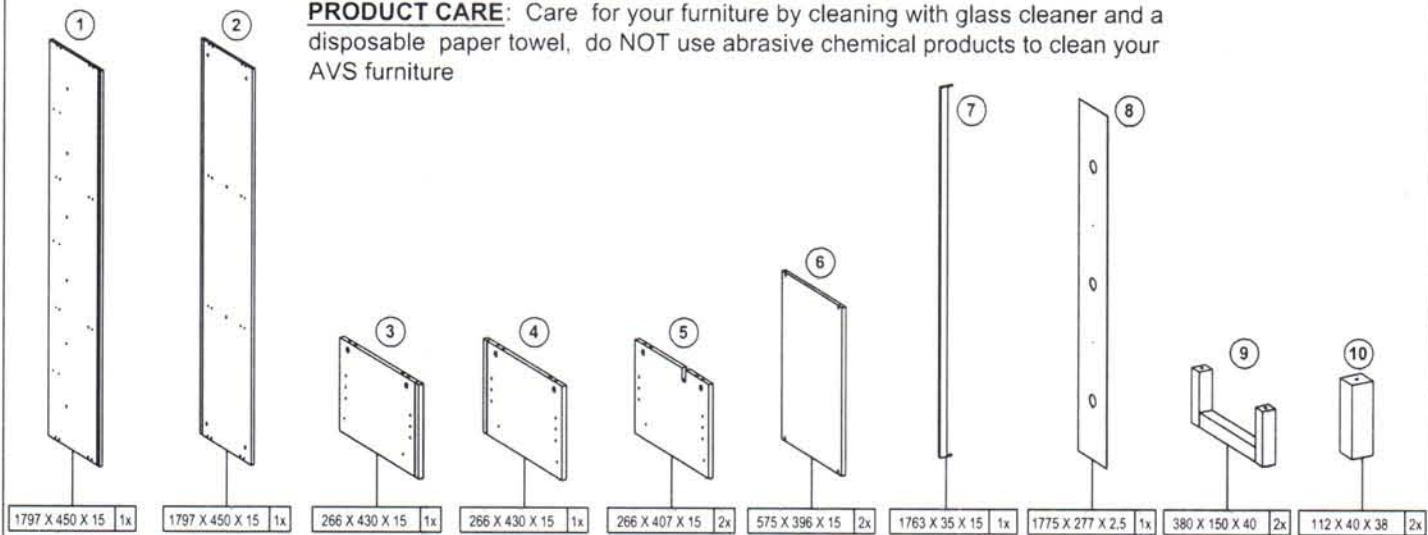
RZ1800WO



The cabinet top supports up to 55 kg (121 lbs.)
 The drawer supports up to 10 kg (22 lbs.)
 The shelf supports up to 5 kg (11 lbs.)

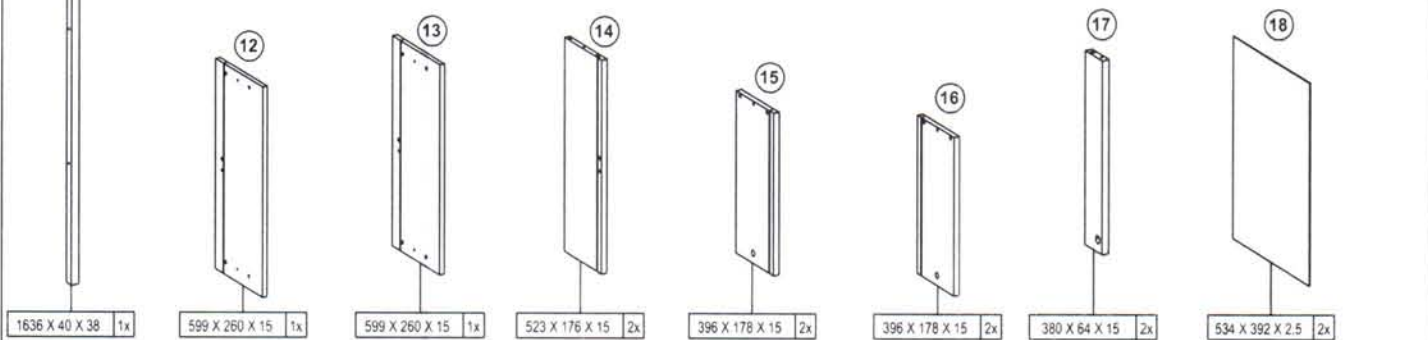


PRODUCT CARE: Care for your furniture by cleaning with glass cleaner and a disposable paper towel, do NOT use abrasive chemical products to clean your AVS furniture



CAUTION: Do not use this product for any purpose not explicitly specified by AVS. Improper installation may cause property damage or personal injury. If you do not understand these directions, or have doubts about the safety of the installation, contact AVS Customer Service or call a qualified contractor. Arisit is not responsible for damage or injury caused by incorrect mounting, assembly, or use.

WARNING! This product contains small items that could be a choking hazard if swallowed. Keep these items away from young children!

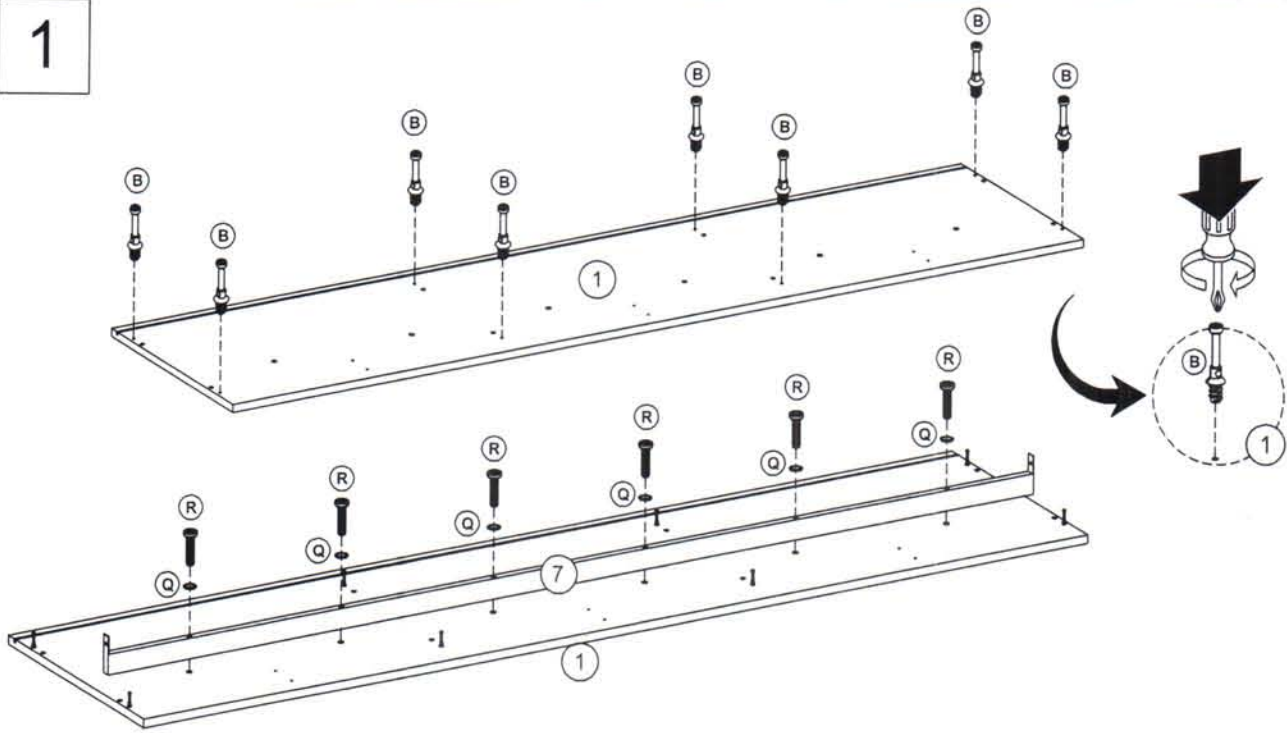


A X 16	B X 16	WHITE C X 12	D X 36	10 x 33.5 mm E X 18	6 x 8 mm F X 12
G X 2SET	H X 2	WHITE I X 4	6 x 13 mm J X 8	K X 8	L X 16
4 x 19 mm M X 16	3 x 12 mm N X 4	6 x 50 mm O X 4	P X 4	Q X 6	6 x 45 mm R X 6
S X 1	4 x 10 mm T X 2	U X 2	V X 2	W X 2	8 x 38 mm X X 2

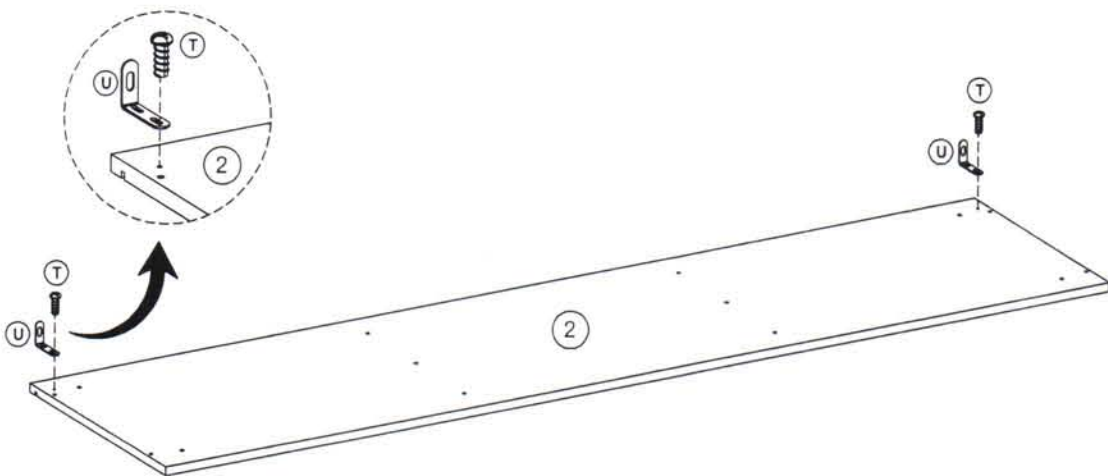
AV Supply Group (AVS) intends to make this manual accurate and complete. However, AVS makes no claim that the information contained herein covers all details, conditions, or variations. Nor does it provide for every possible contingency in connection with the installation or use of this product. The information contained in this document is subject to change without notice or obligation of any kind. AVS makes no representation of warranty, expressed or implied, regarding the information contained herein. AVS assumes no responsibility for accuracy, completeness or sufficiency of the information contained in this document.

RZ1800WO

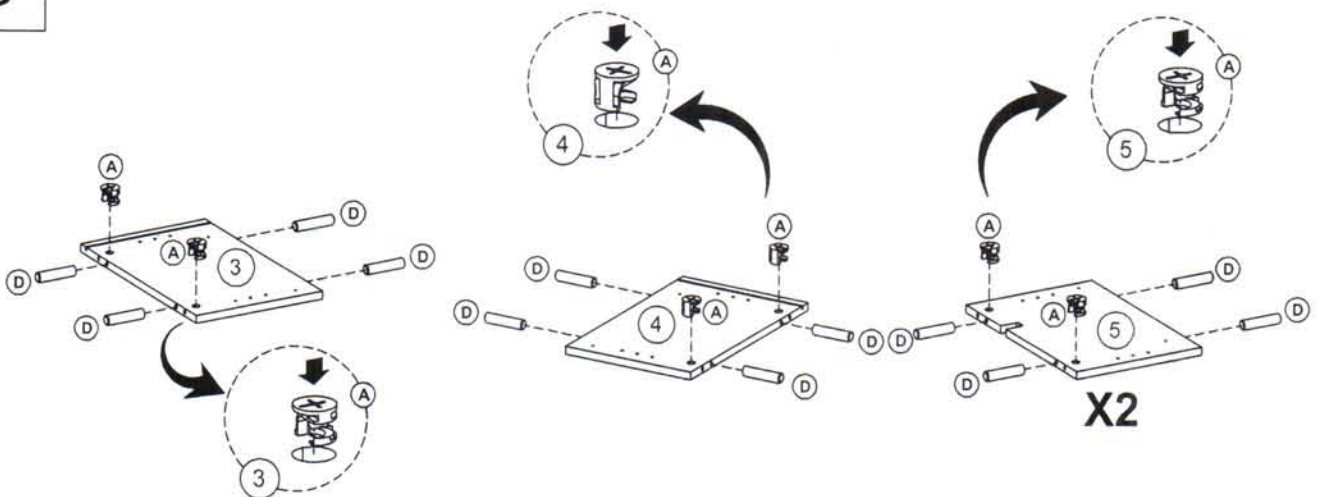
1



2

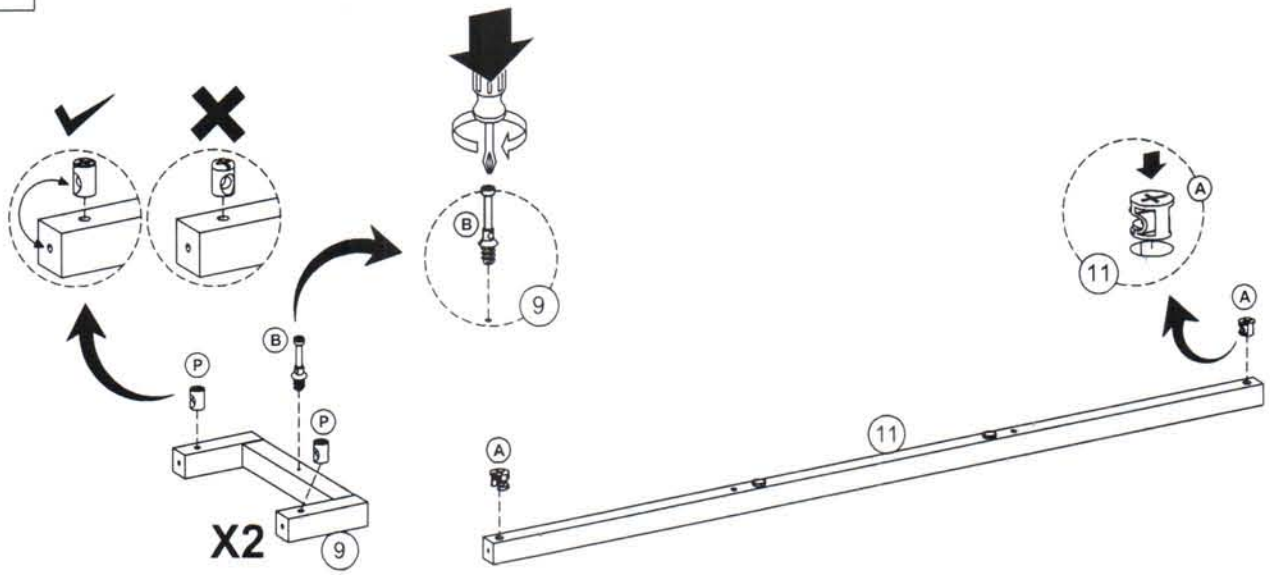


3

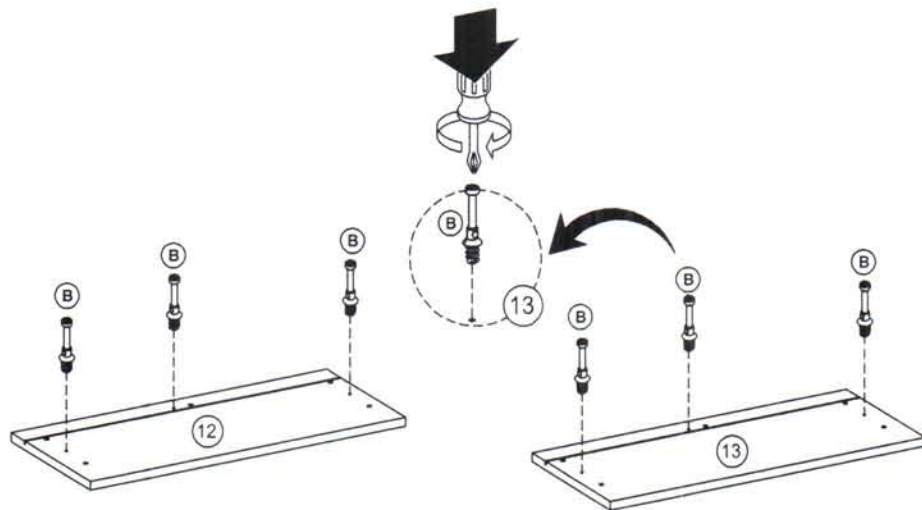


RZ1800WO

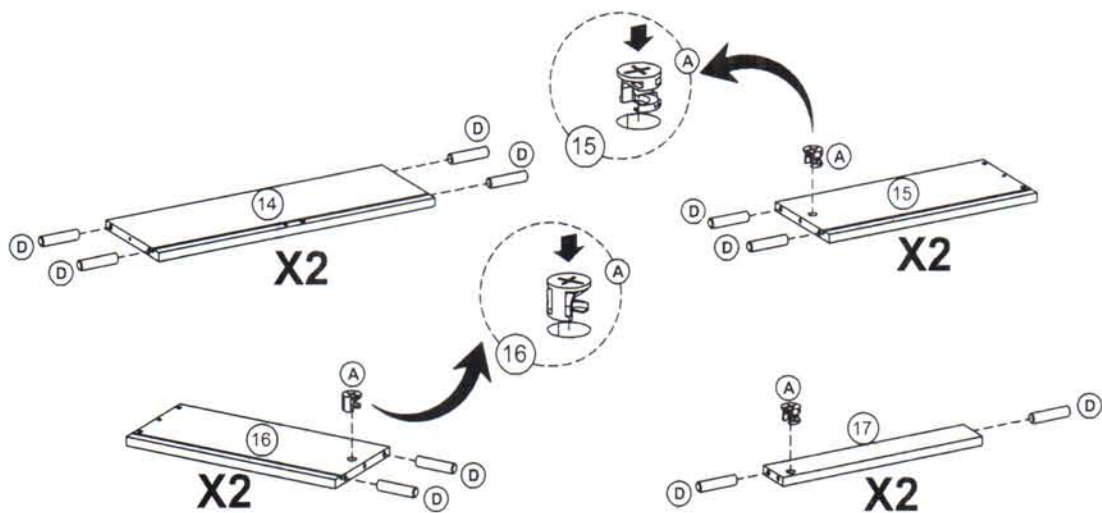
4



5

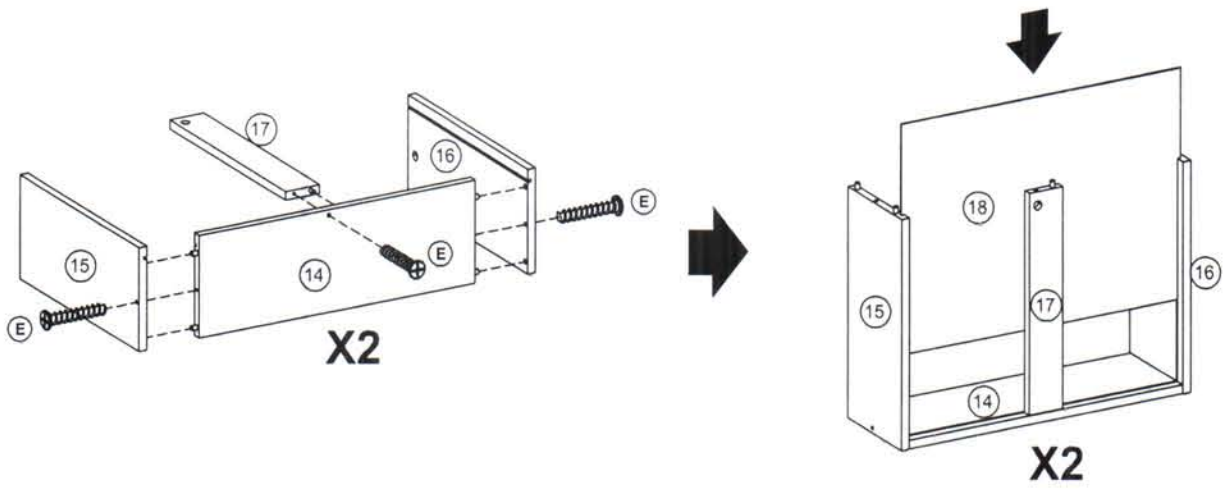


6

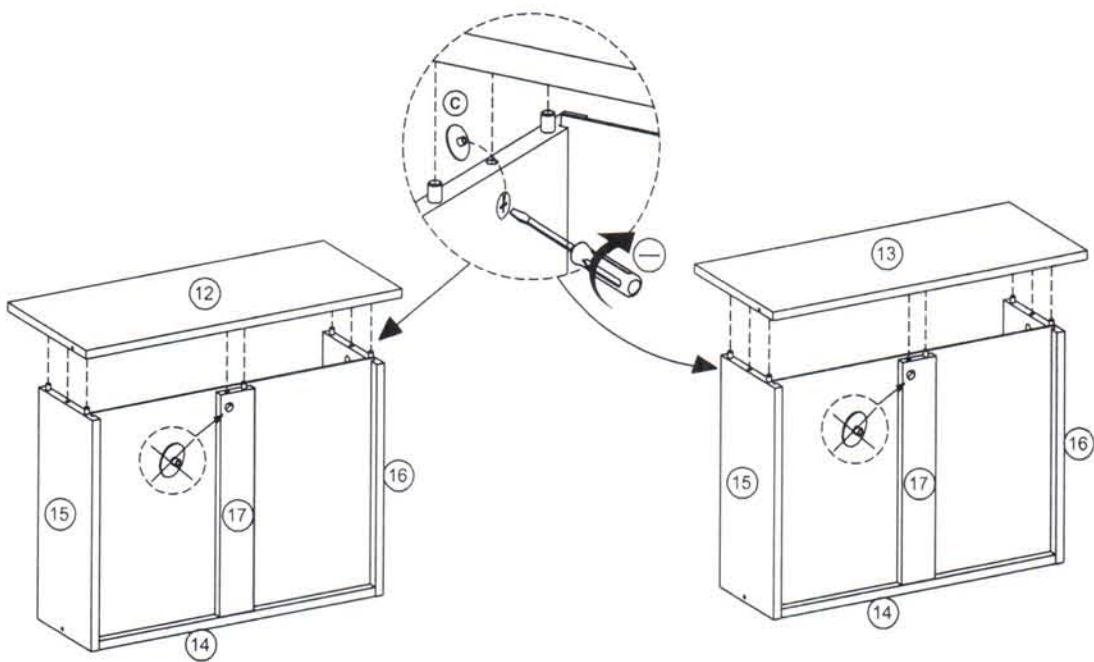


RZ1800WO

7

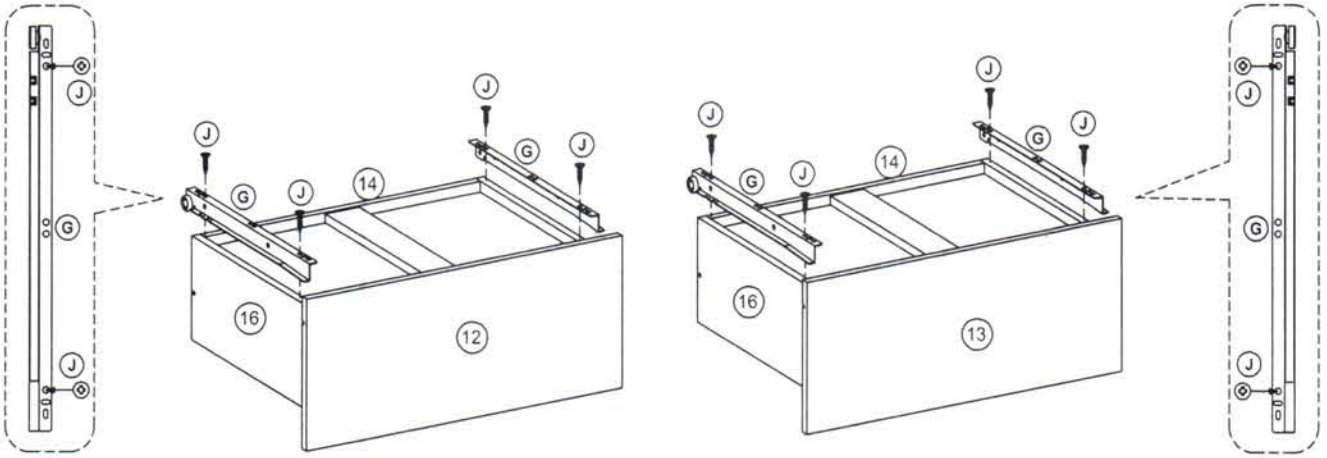


8

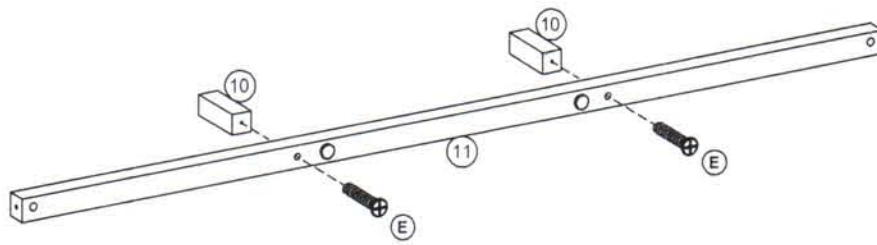


RZ1800WO

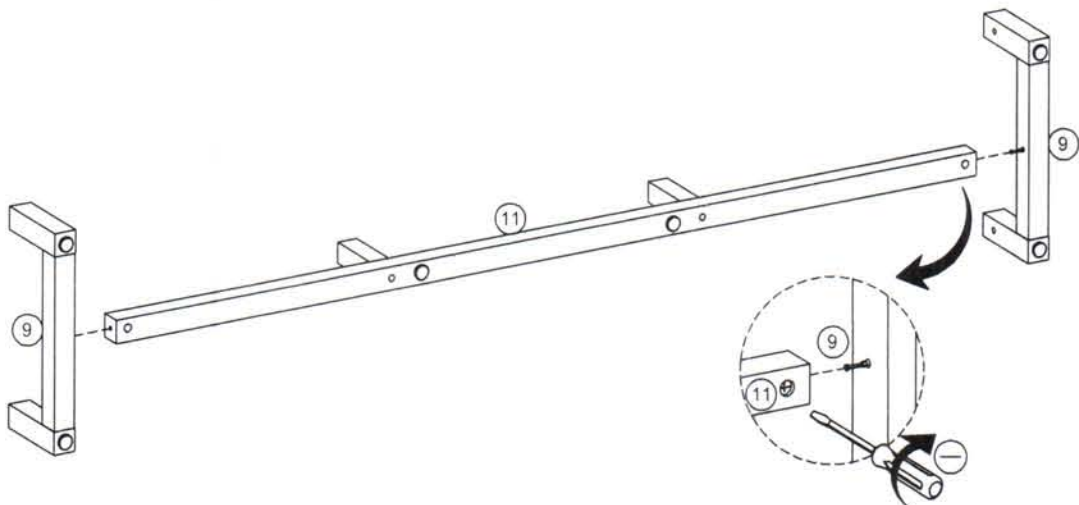
9



10

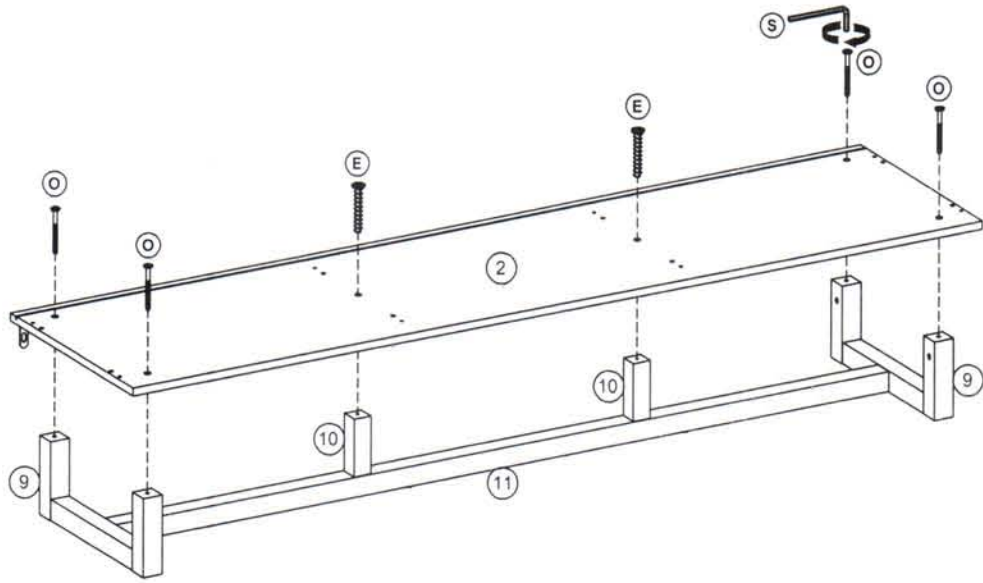


11

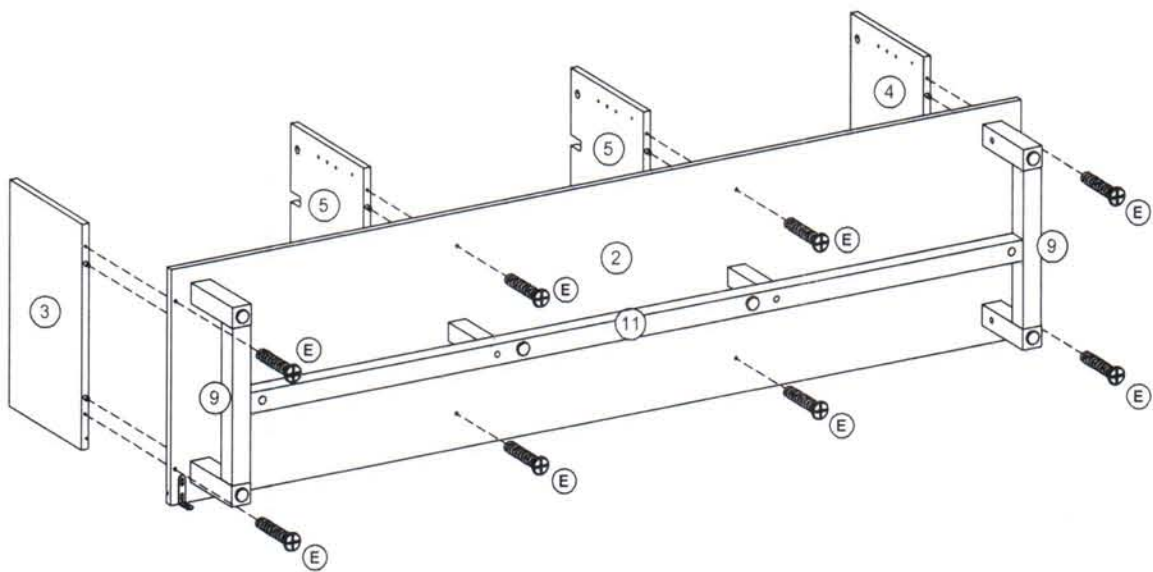


RZ1800WO

12

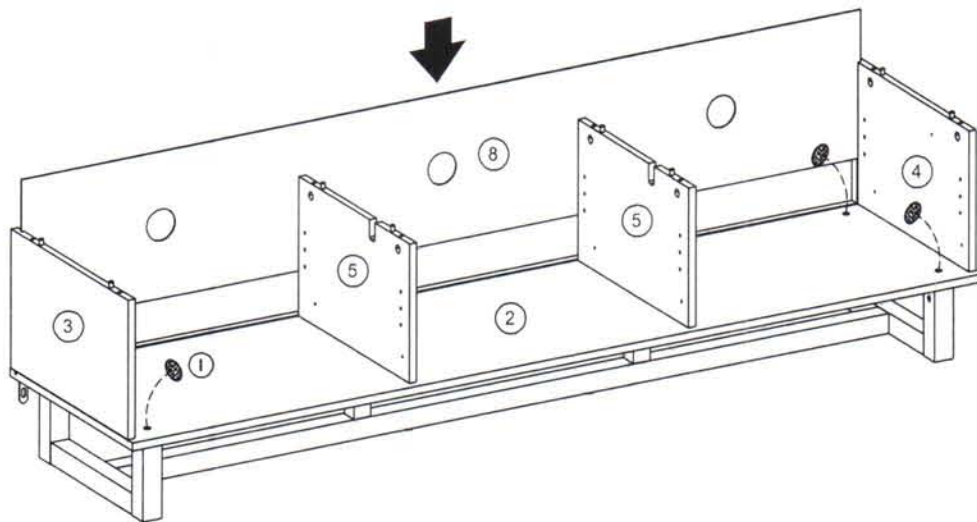


13

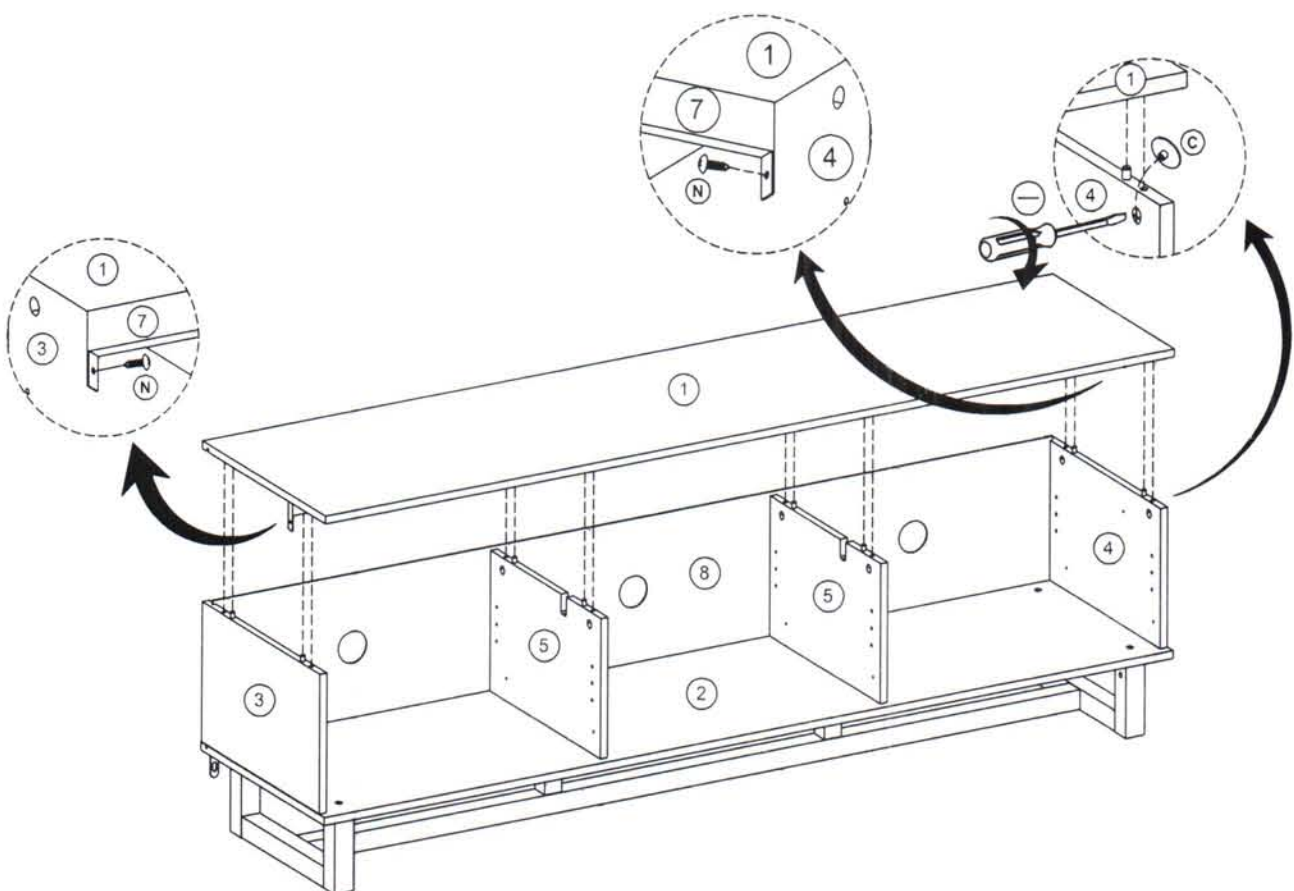


RZ1800WO

14

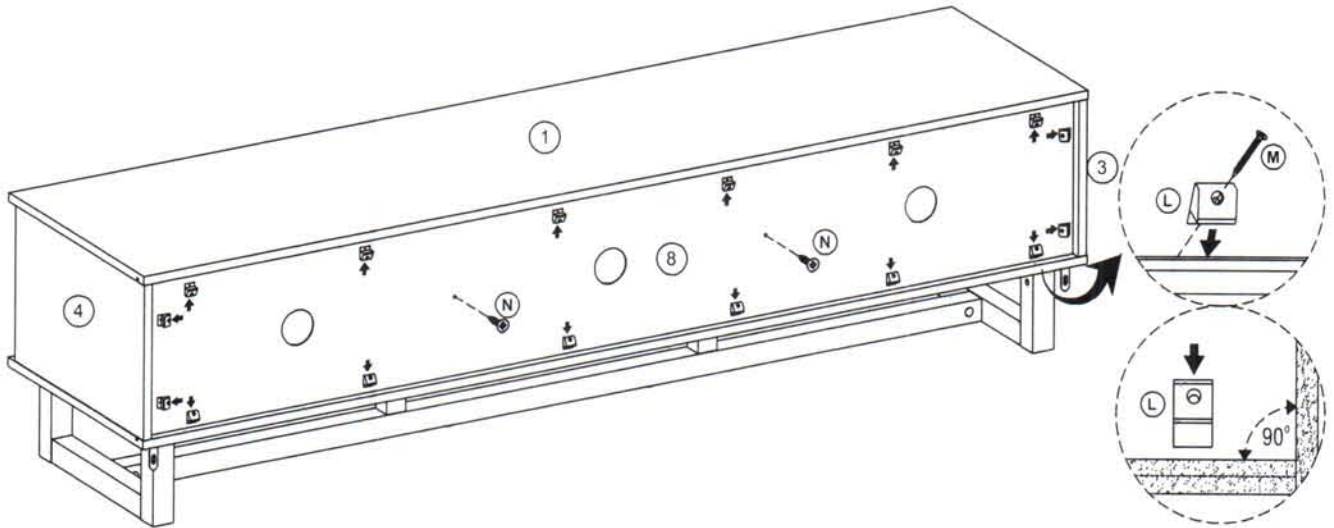


15

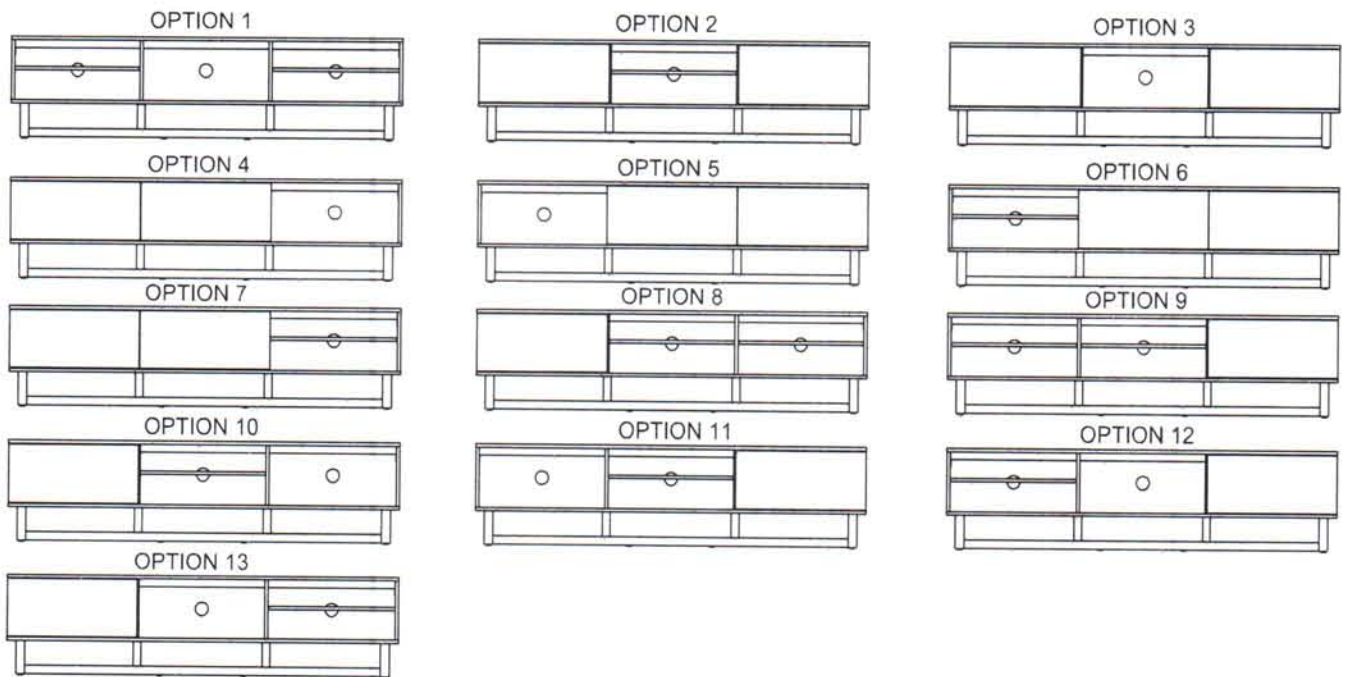


RZ1800WO

16

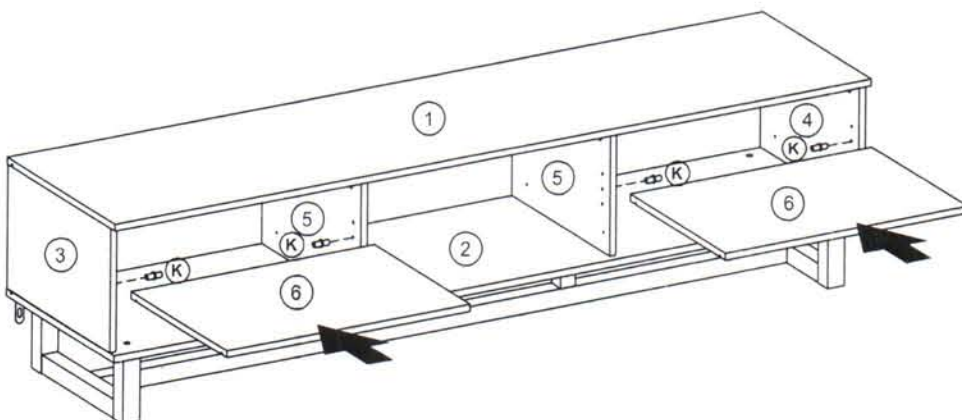


OPTIONAL FOR ASSEMBLY DRAWER & SHELF



17

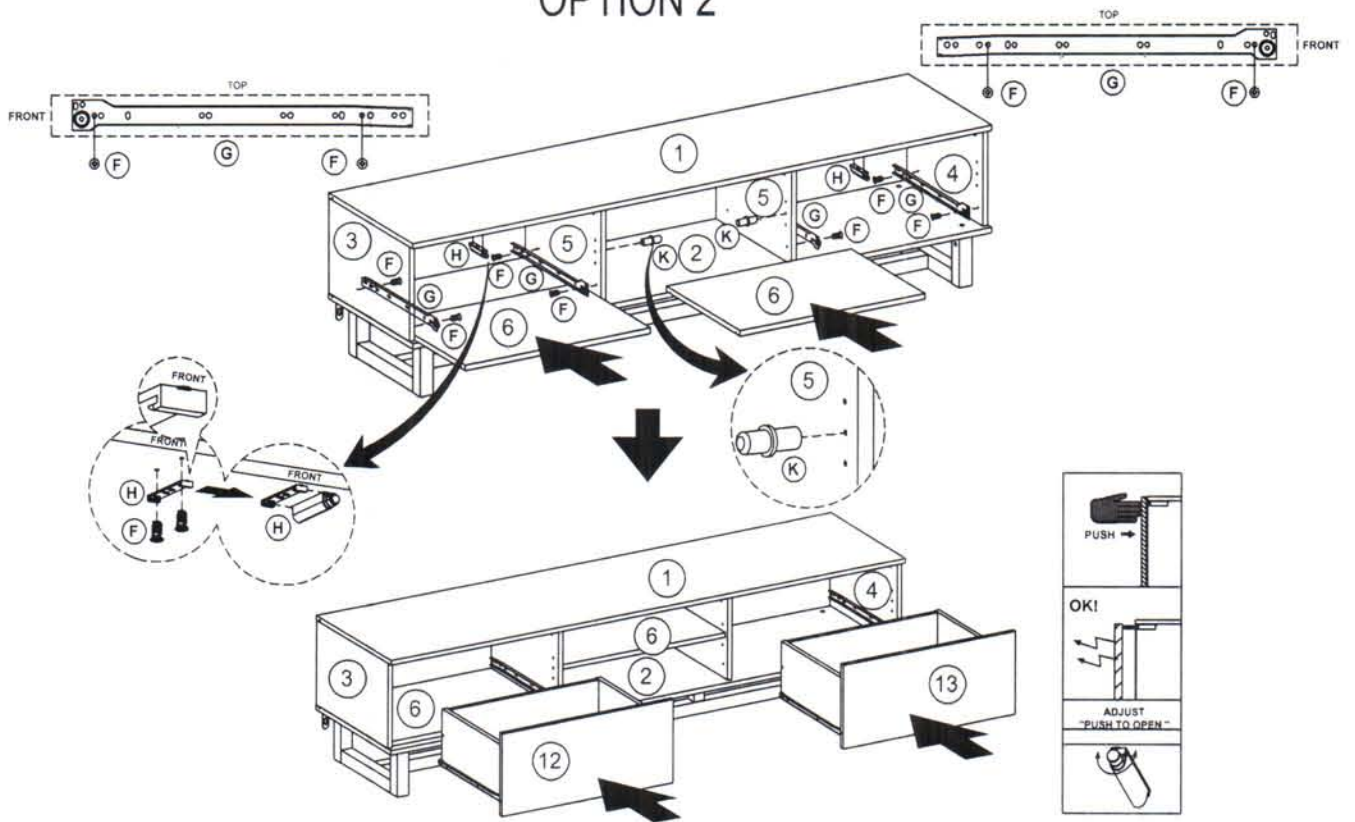
OPTION 1



RZ1800WO

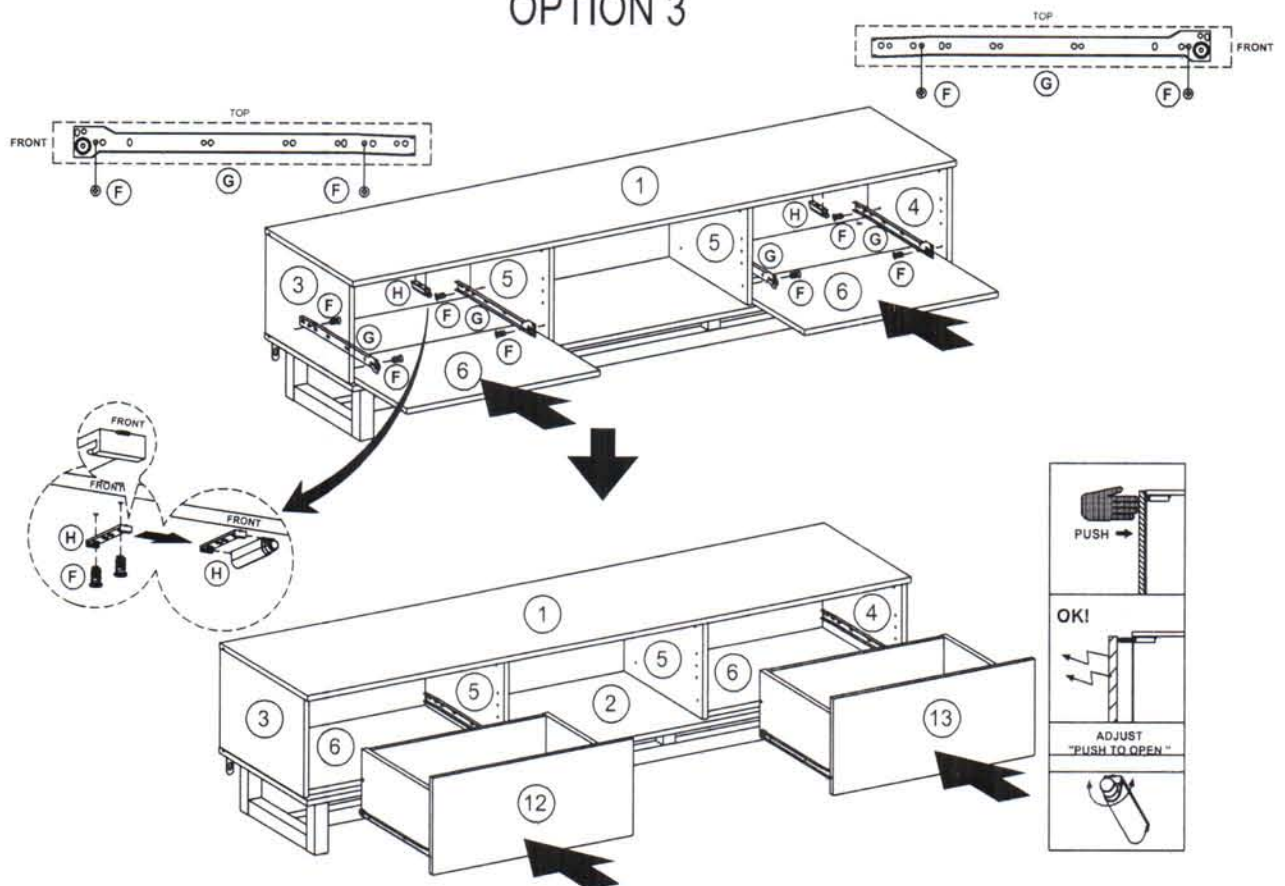
17

OPTION 2



17

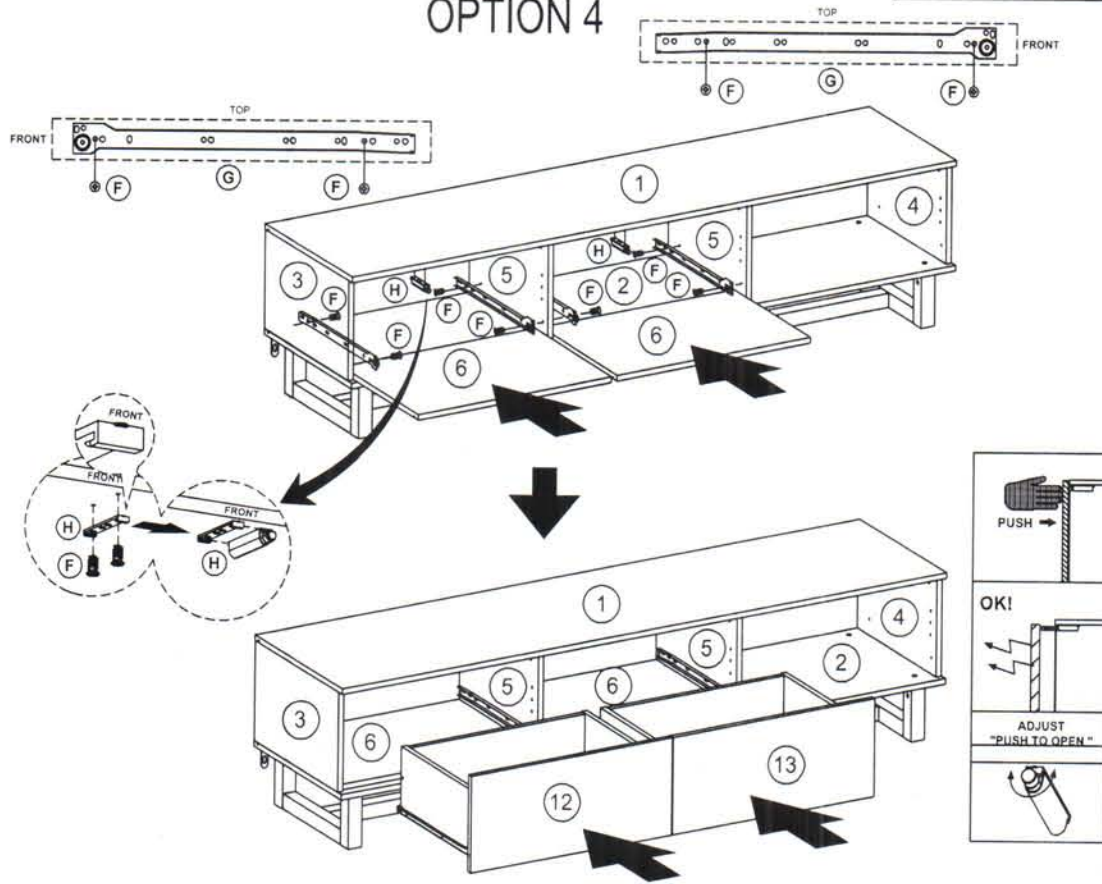
OPTION 3



RZ1800WO

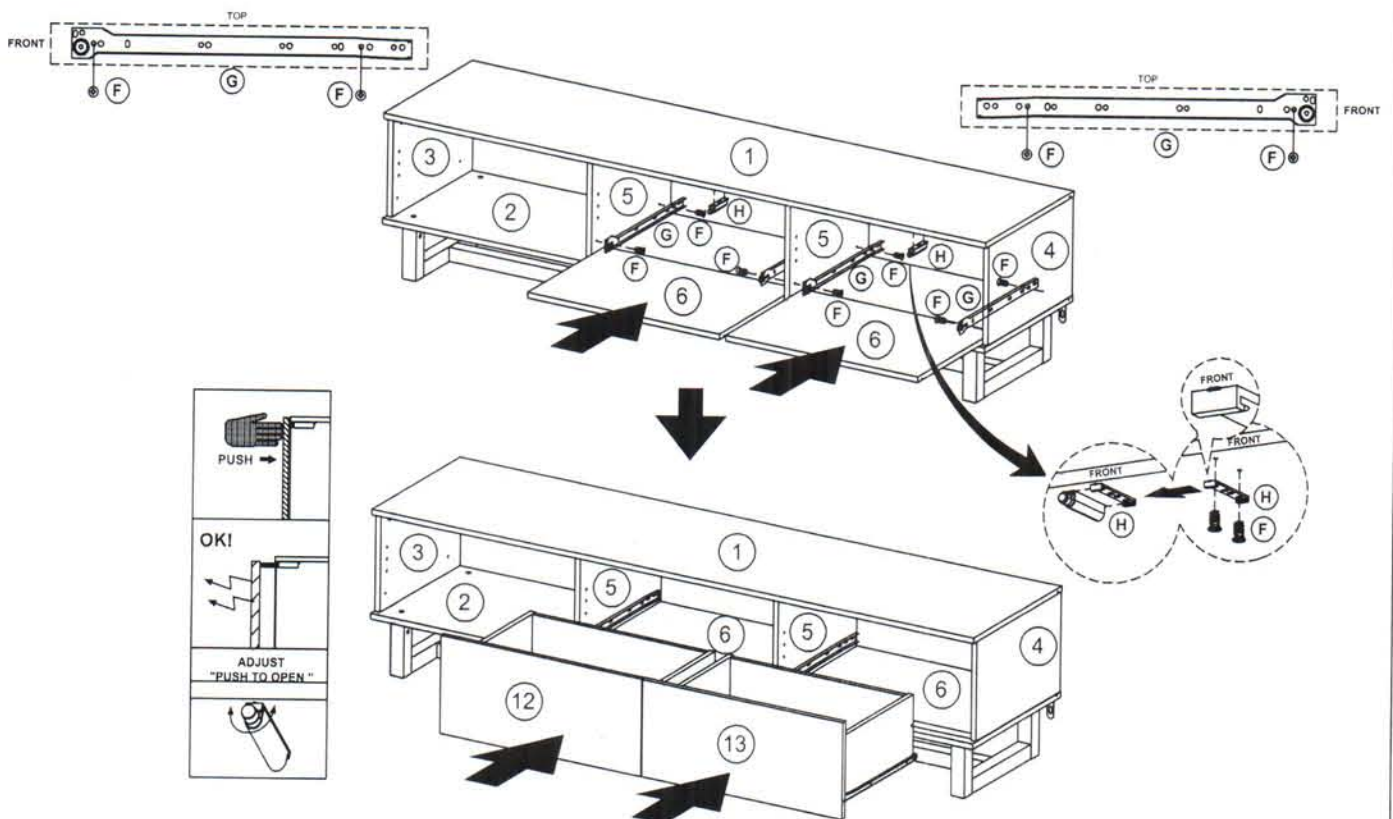
17

OPTION 4



17

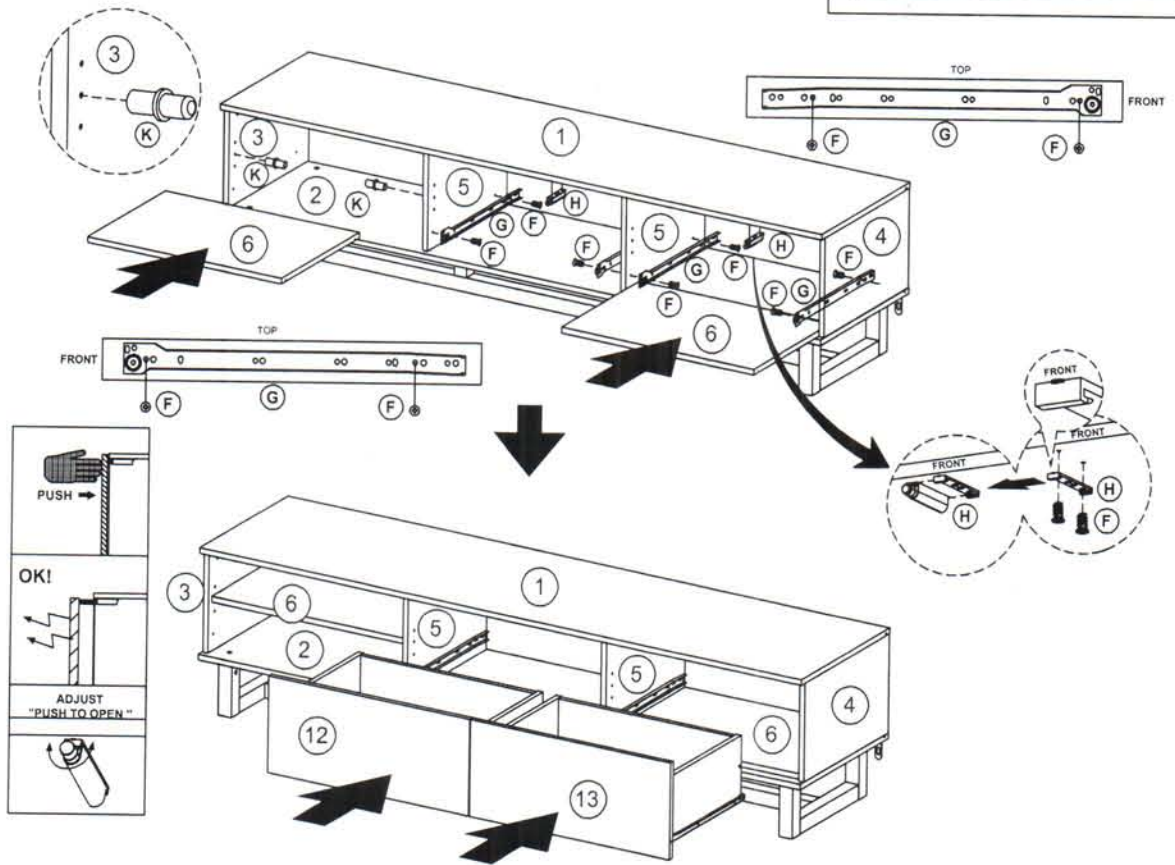
OPTION 5



RZ1800WO

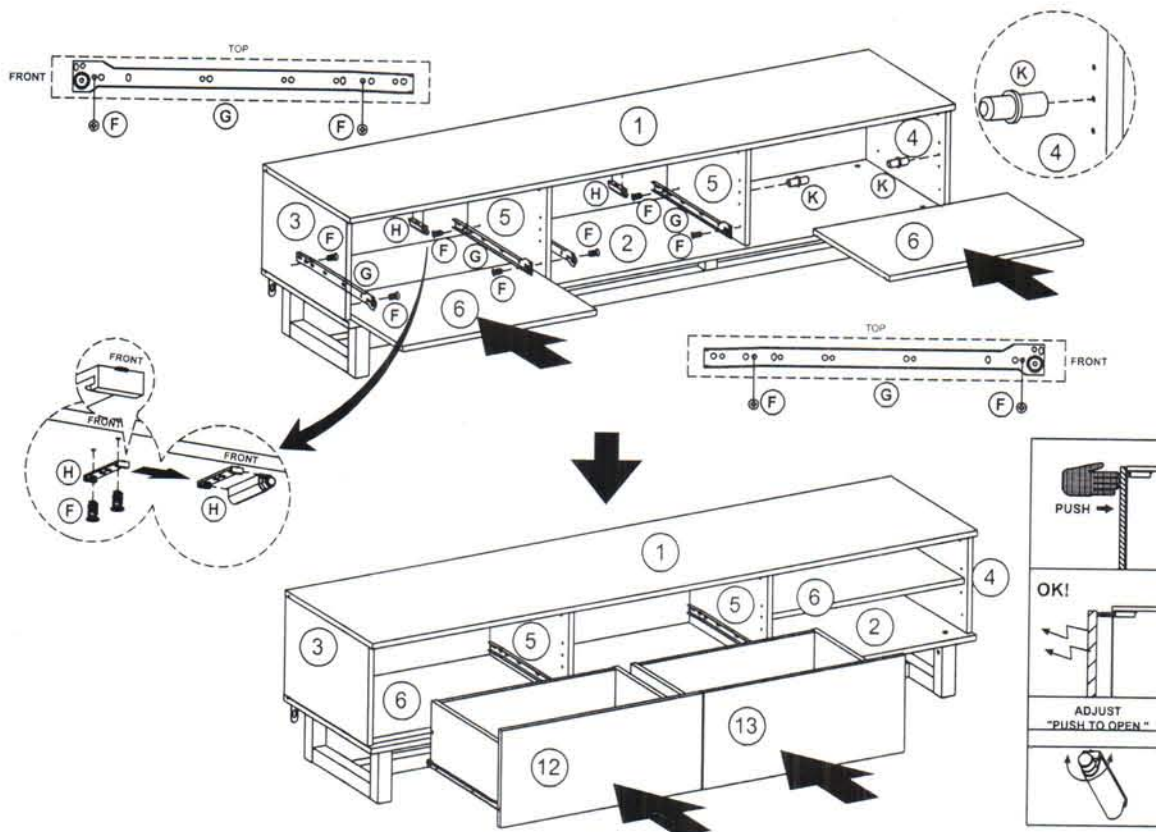
17

OPTION 6



17

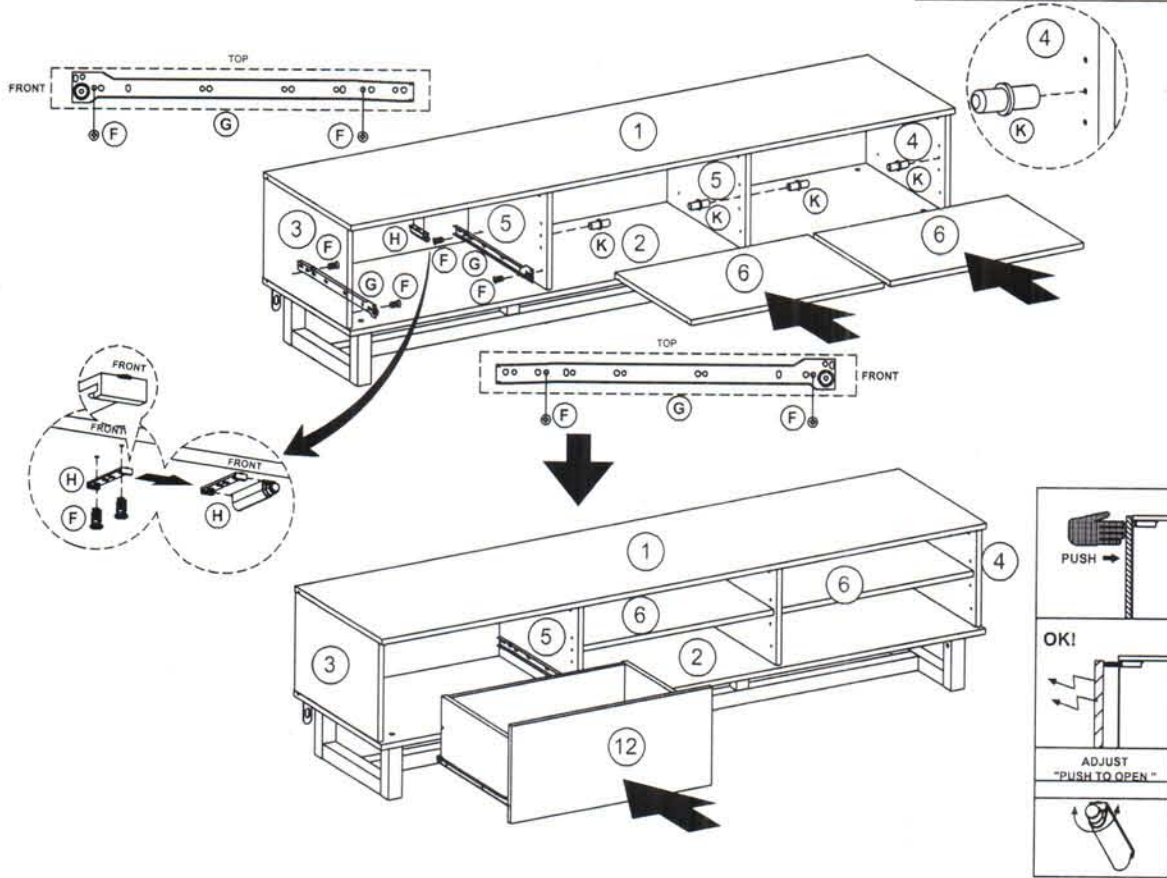
OPTION 7



RZ1800WO

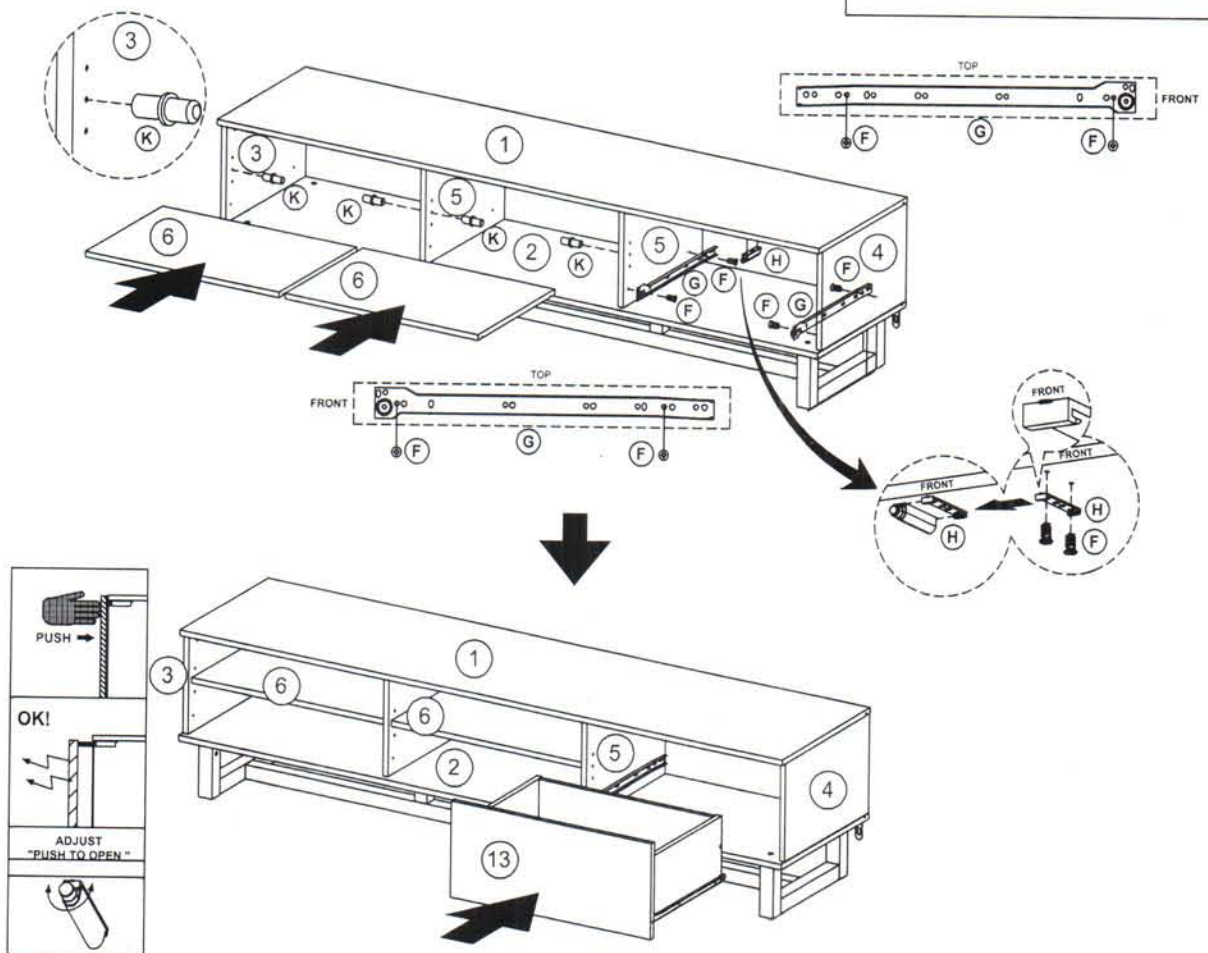
17

OPTION 8



17

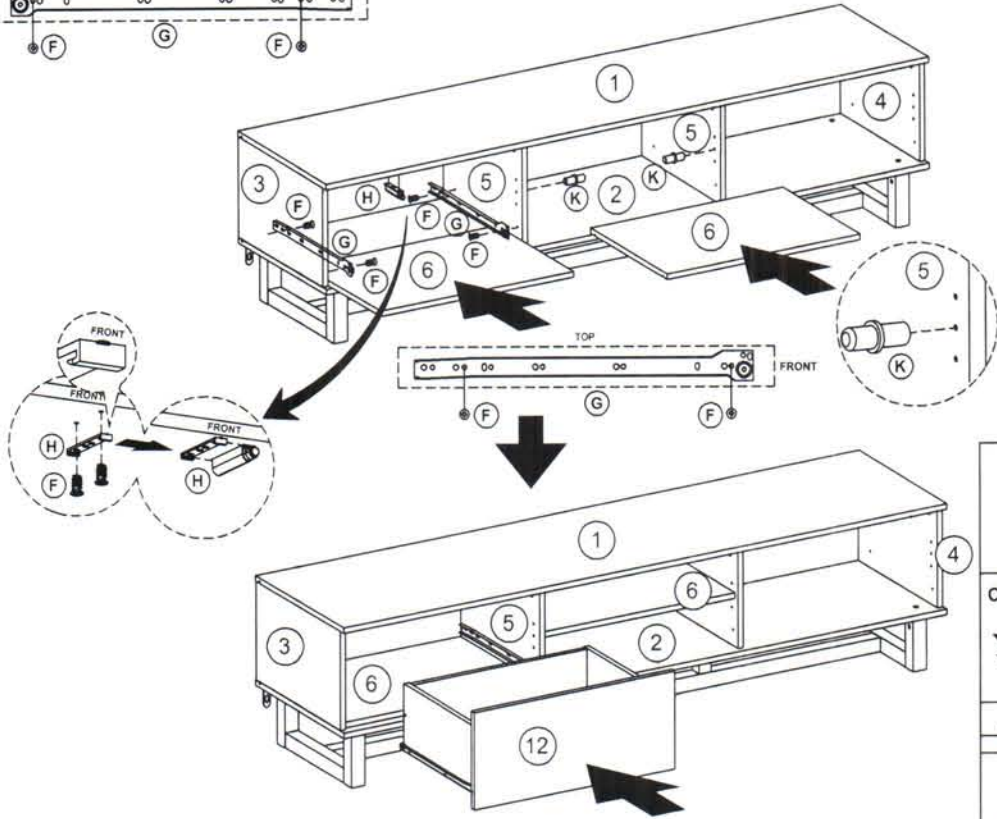
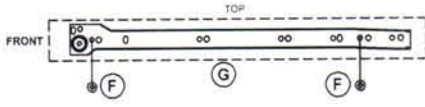
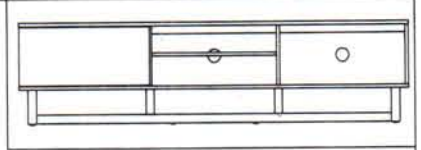
OPTION 9



RZ1800WO

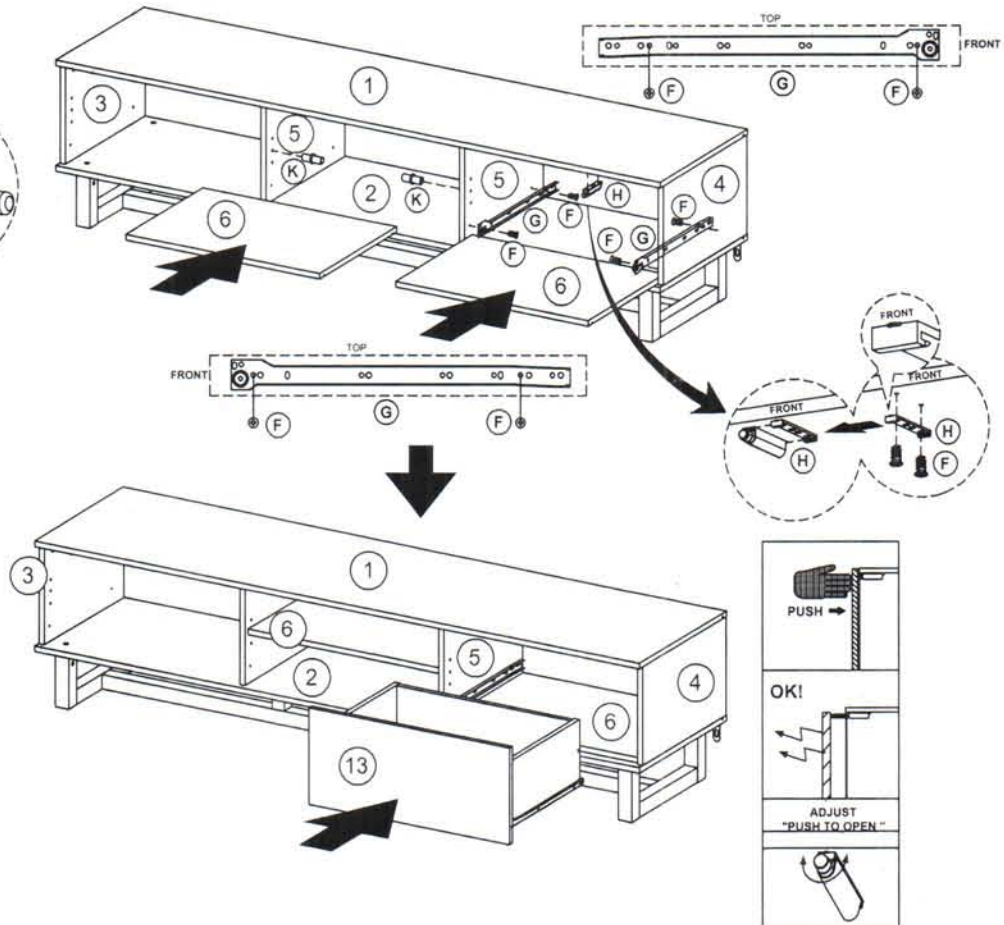
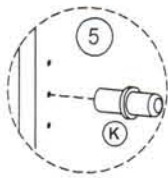
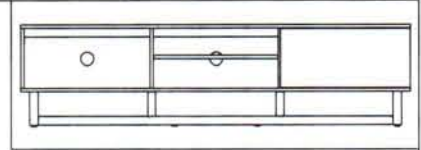
17

OPTION 10



17

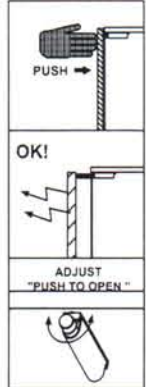
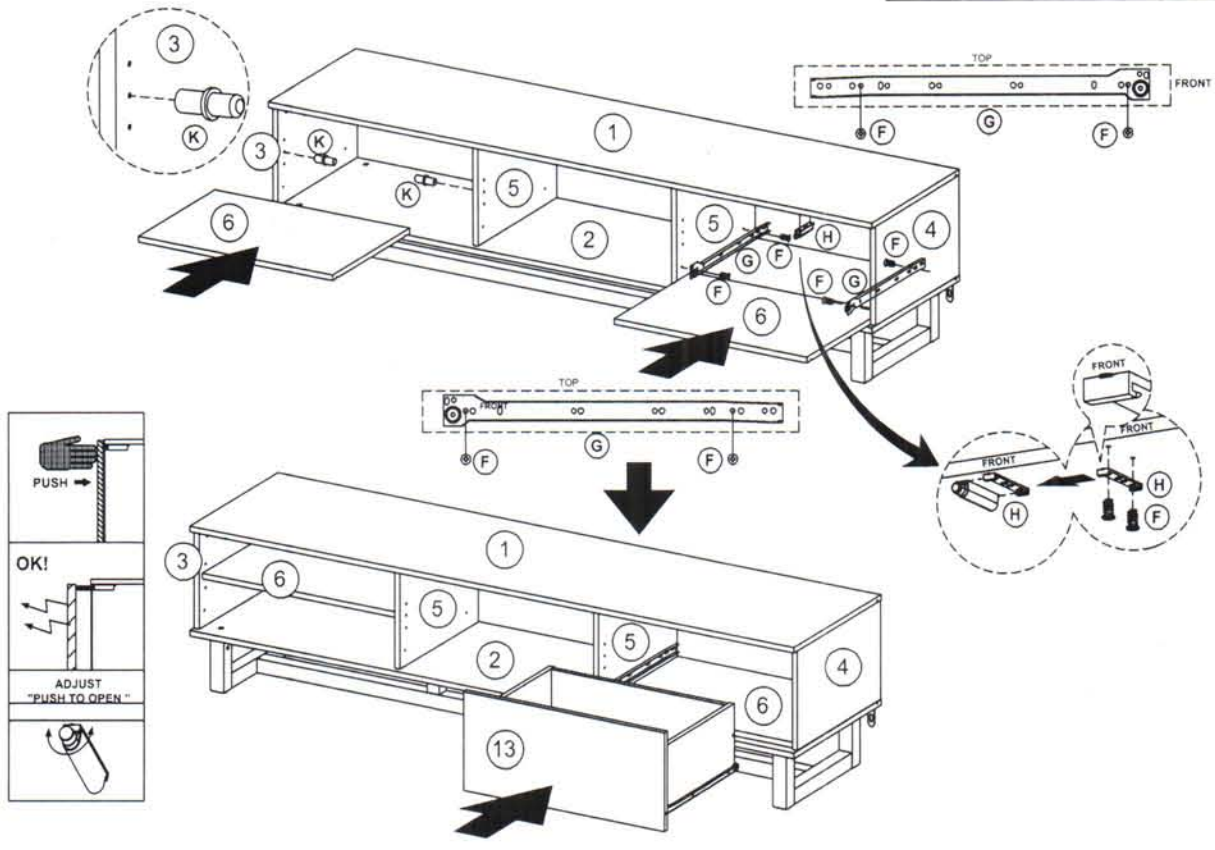
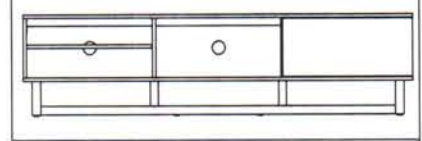
OPTION 11



RZ1800WO

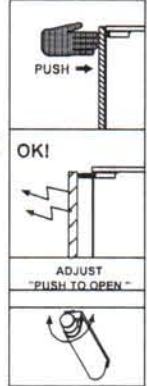
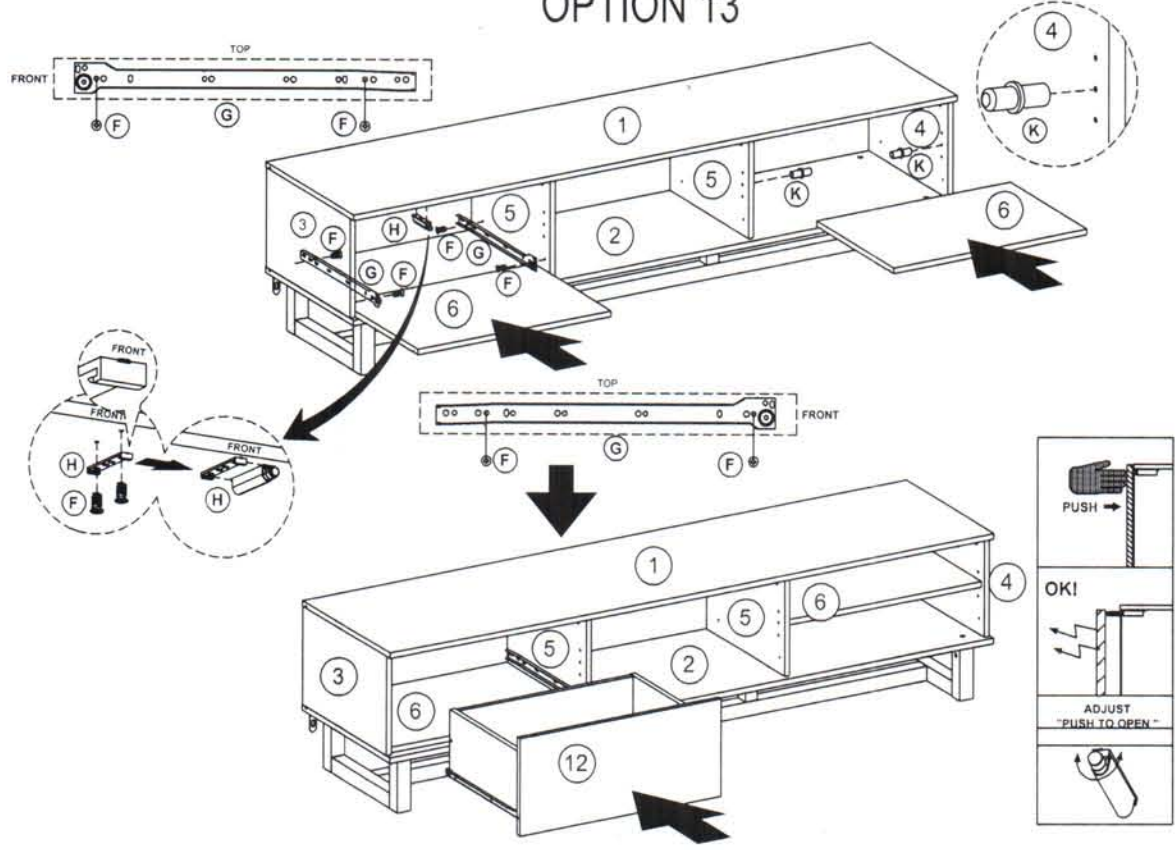
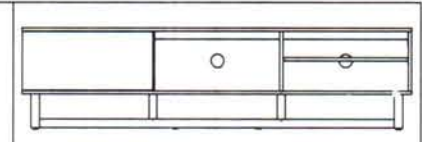
17

OPTION 12



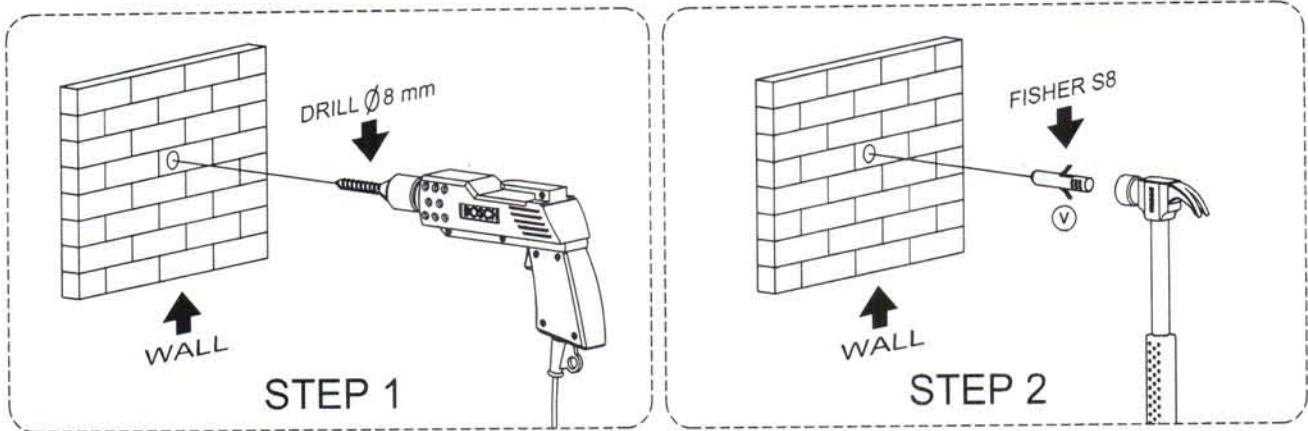
17

OPTION 13

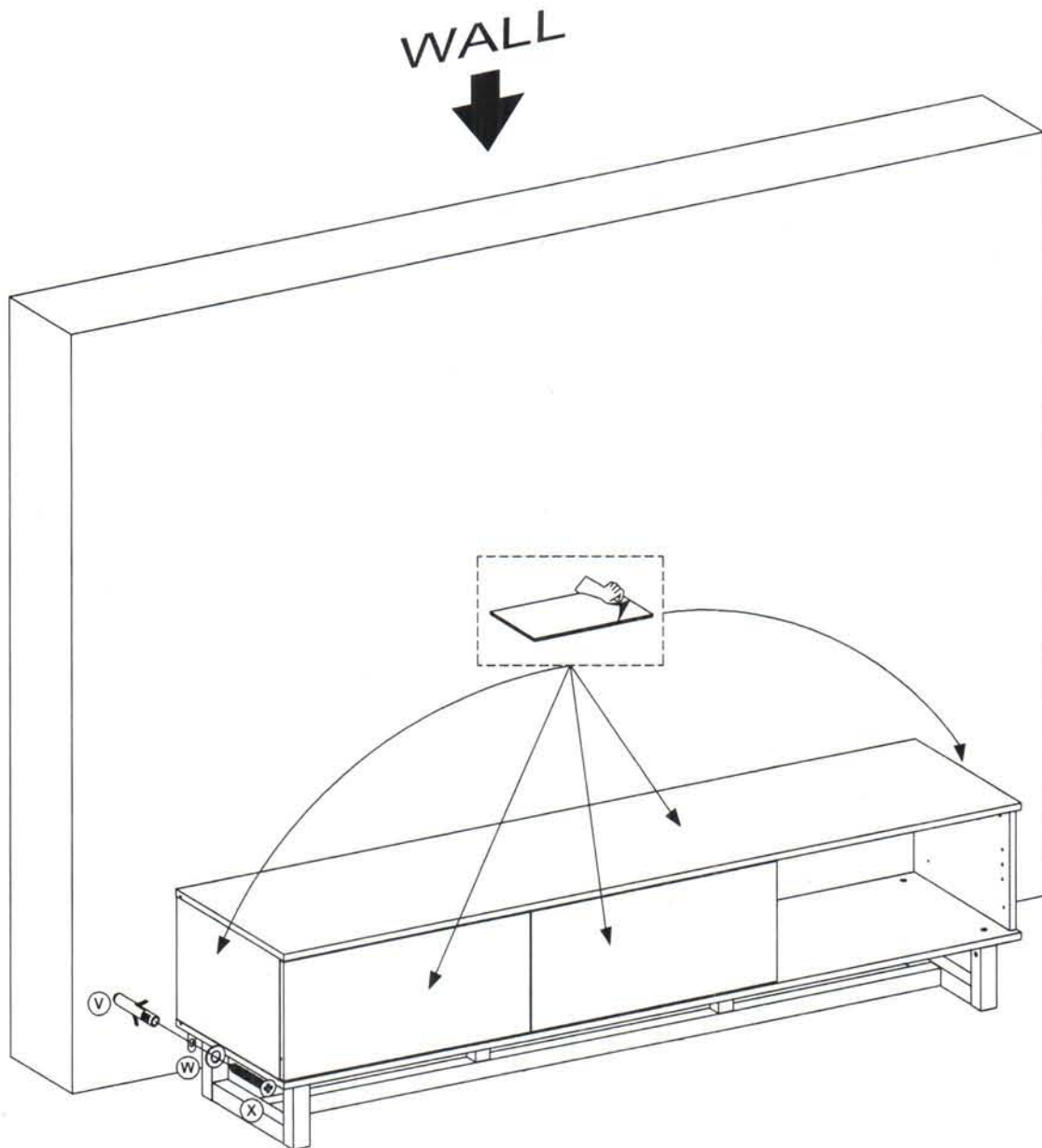


RZ1800WO




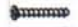











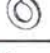


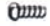




18



" We recommend using the safety bracket included or a Branded TV safety strap for your safety to prevent Cabinet & TV Tip over. "



" Remove the protective plastic film from the panels before your start assembling the cabinets. "

NO	ID PART	DRAWING PART	DESCRIPTION	UNIQUE CODE OF HARDWARE
1	A		CAMLOCK (15 X 12 MM)	RZ1800WOA
2	B		CAMBOLT (7,5 X 32 MM)	RZ1800WOB
3	C		CAM CAP (17 MM)	RZ1800WOC
4	D		PEN DOWEL (8 X 32 MM)	RZ1800WOD
5	E		FLAT HEAD SCREW (10 X 33,5 MM)	RZ1800WOE
6	F		FLAT HEAD SCREW (6 X 8 MM)	RZ1800WOF
7	G		RAIL SELF CLOSING (350 MM)	RZ1800WOG
8	H		PUSH TO OPEN	RZ1800WOH
9	I		CAM STICKER (20 MM)	RZ1800WOI
10	J		FLAT HEAD SCREW (6 X 13 MM)	RZ1800WOJ
11	K		SHELF PIN	RZ1800WOK
12	L		BACKPLY STOPPER	RZ1800WOL
13	M		FLAT HEAD SCREW (4 X 19 MM)	RZ1800WOM
14	N		PAN HEAD SCREW (3 X 12 MM)	RZ1800WON
15	O		FLAT HEAD SCREW (6 X 50 MM)	RZ1800WOO
16	P		BARREL NUT	RZ1800WOP
17	Q		SPRING RING	RZ1800WOQ
18	R		PAN HEAD SCREW (6 X 45 MM)	RZ1800WOR
19	S		ALLEN KEY	RZ1800WOS
20	T		PAN HEAD SCREW (4 X 10 MM)	RZ1800WOT
21	U		L-PLATE	RZ1800WOU
22	V		FISHER S8	RZ1800WOV
23	W		WASHER PLATE	RZ1800WOW
24	X		FLAT HEAD SCREW (8 X 38 MM)	RZ1800WOX

NO	ID PART	DESCRIPTION	UNIQUE CODE OF HARDWARE
1	1	TOP PANEL	RZ1800WO1
2	2	BOTTOM PANEL	RZ1800WO2
3	3	SIDE PANEL (LEFT)	RZ1800WO3
4	4	SIDE PANEL (RIGHT)	RZ1800WO4
5	5	DIVIDER PANEL	RZ1800WO5
6	6	ADJUSTABLE SHELF	RZ1800WO6
7	7	TOP PANEL PIPE SUPPORT	RZ1800WO7
8	8	BACKPANEL	RZ1800WO8
9	9	SIDE LEG	RZ1800WO9
10	10	MIDDLE LEG	RZ1800WO10
11	11	BOTTOM SUPPORT PANEL	RZ1800WO11
12	12	FRONT DRAWER PANEL (LEFT)	RZ1800WO12
13	13	FRONT DRAWER PANEL (RIGHT)	RZ1800WO13
14	14	REAR DRAWER PANEL	RZ1800WO14
15	15	LEFT DRAWER PANEL	RZ1800WO15
16	16	RIGHT DRAWER PANEL	RZ1800WO16
17	17	BOTTOM DRAWER PANEL	RZ1800WO17