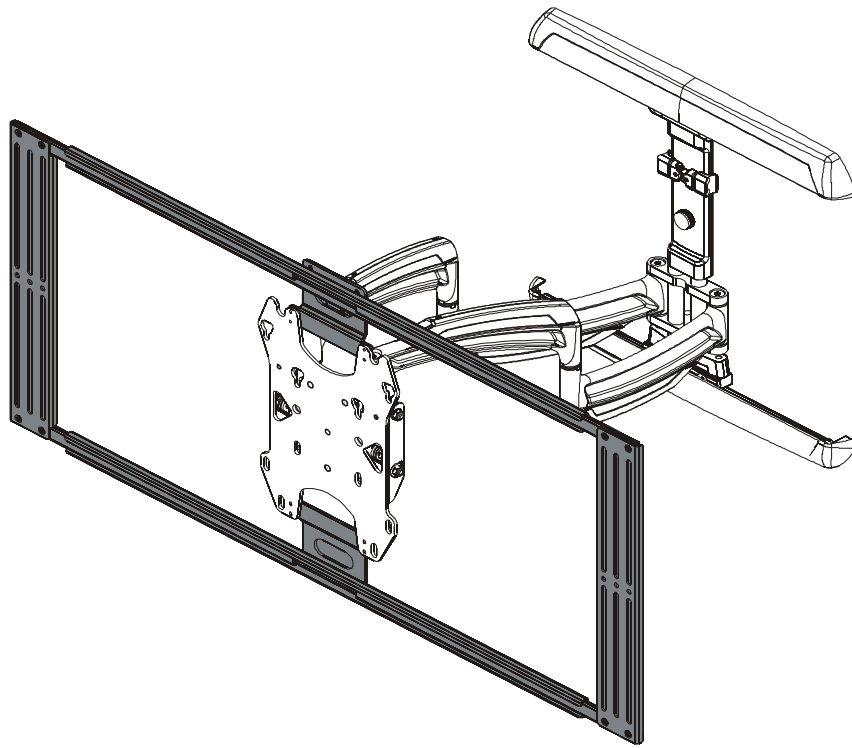

INSTALLATION INSTRUCTIONS



Side Speaker Bracket

DISCLAIMER

Milestone AV Technologies and its affiliated corporations and subsidiaries (collectively "Milestone"), intend to make this manual accurate and complete. However, Milestone makes no claim that the information contained herein covers all details, conditions or variations, nor does it provide for every possible contingency in connection with the installation or use of this product. The information contained in this document is subject to change without notice or obligation of any kind. Milestone makes no representation of warranty, expressed or implied, regarding the information contained herein. Milestone assumes no responsibility for accuracy, completeness or sufficiency of the information contained in this document.

Chief® is a registered trademark of Milestone AV Technologies. All rights reserved.

IMPORTANT WARNINGS AND CAUTIONS!

WARNING: A WARNING alerts you to the possibility of serious injury or death if you do not follow the instructions.

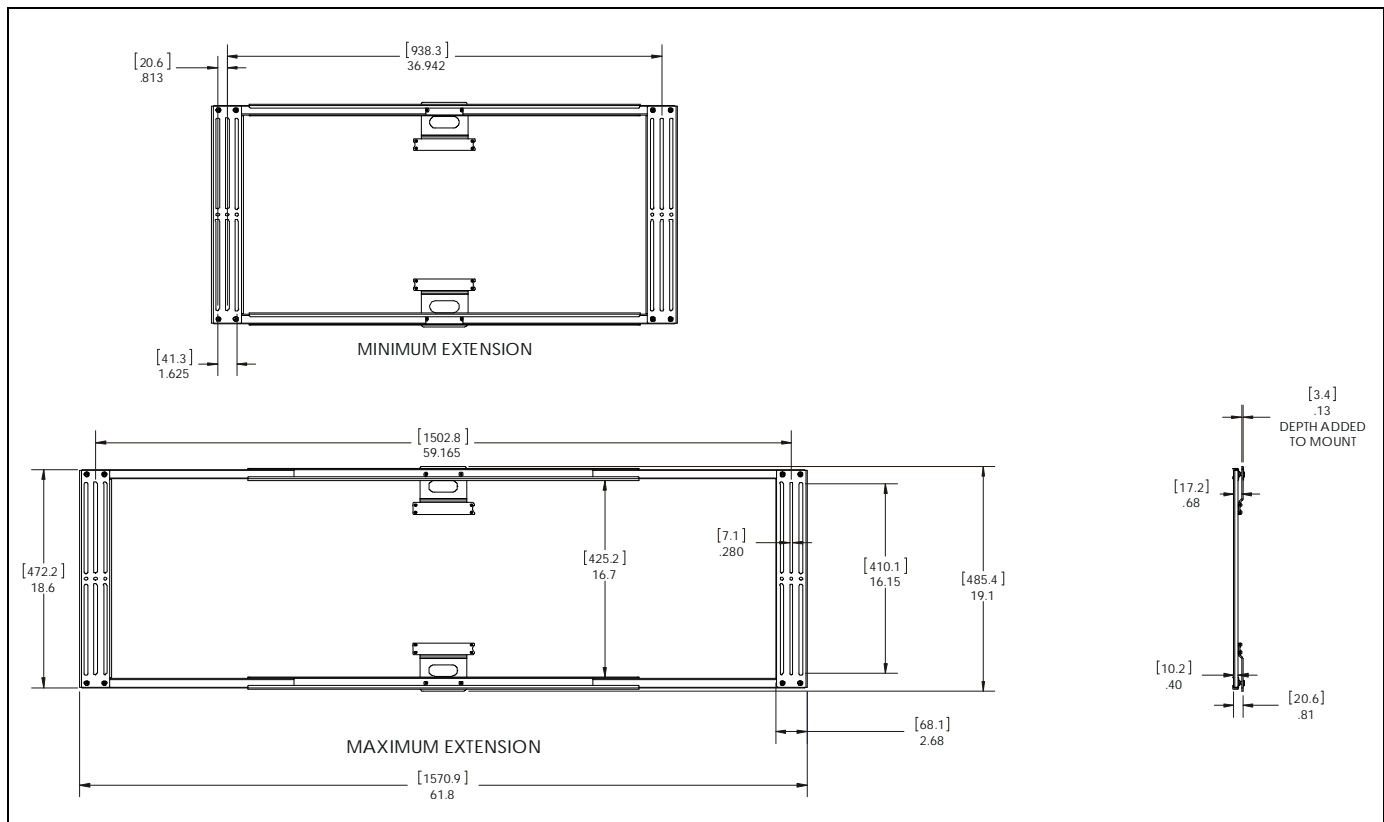
CAUTION: A CAUTION alerts you to the possibility of damage or destruction of equipment if you do not follow the corresponding instructions.

WARNING: Failure to read, thoroughly understand, and follow all instructions can result in serious personal injury, damage to equipment, or voiding of factory warranty! It is the installer's responsibility to make sure all components are properly assembled and installed using the instructions provided.



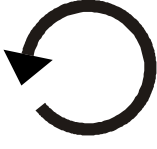


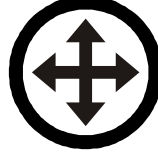






WARNING: Failure to provide adequate structural strength for this component can result in serious personal injury or damage to equipment! It is the installer's responsibility to make sure the structure to which this component is attached can support five times the combined weight of all equipment. Reinforce the structure as required before installing the component.

WARNING: Exceeding the weight capacity can result in serious personal injury or damage to equipment! It is the installer's responsibility to make sure the combined weight of all equipment and accessories mounted on the TA300 bracket does not exceed 20 lbs (9.08 kg) or 10 lbs (4.54 kg) per speaker.

DIMENSIONS



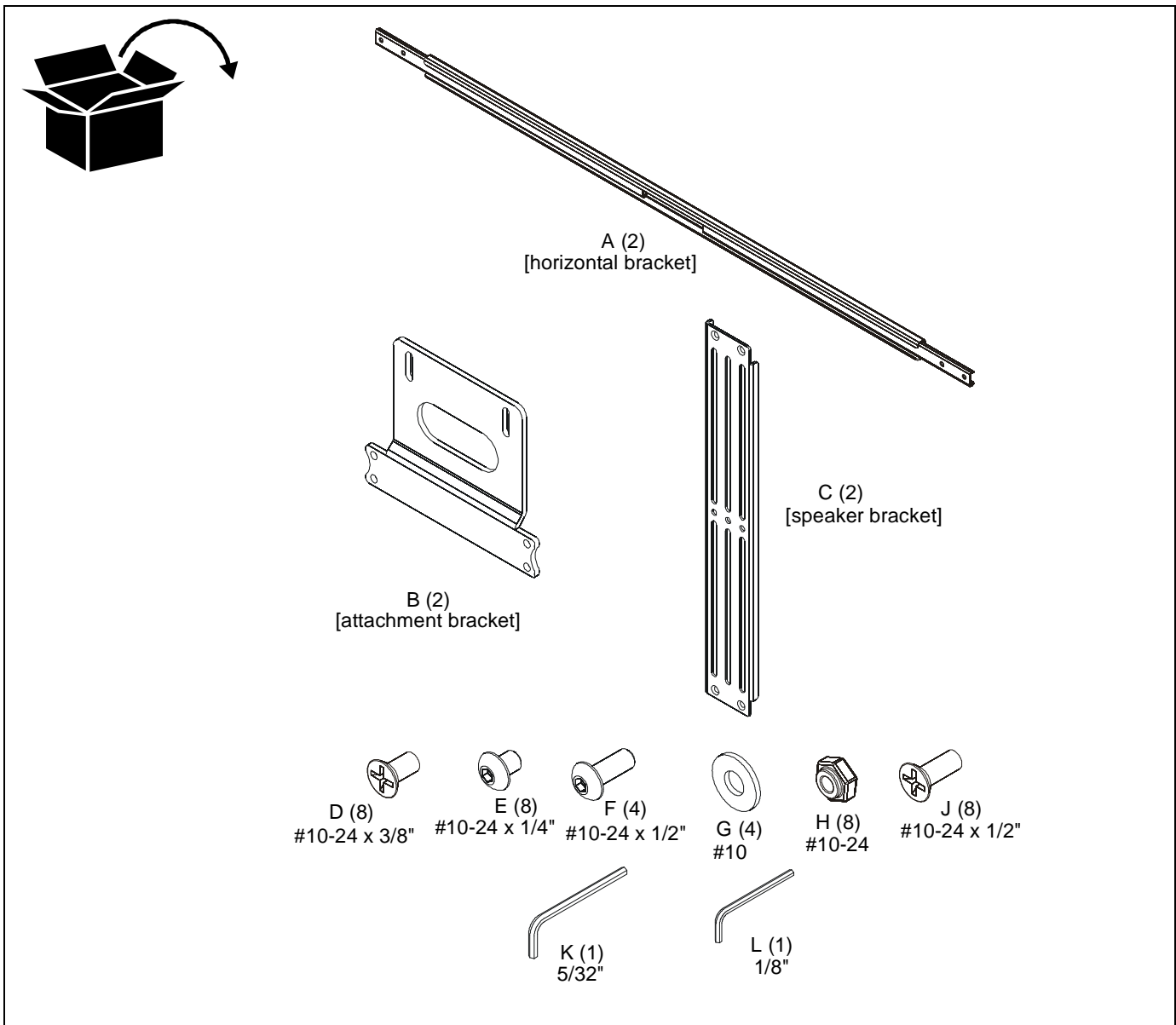
LEGEND

	<p>Tighten Fastener Apretar elemento de fijación Befestigungsteil festziehen Apertar fixador Serrare il fissaggio Bevestiging vastdraaien Serrez les fixations</p>		<p>Pencil Mark Marcar con lápiz Stiftmarkierung Marcar com lápis Segno a matita Potloodmerkteken Marquage au crayon</p>
	<p>Loosen Fastener Aflojar elemento de fijación Befestigungsteil lösen Desapertar fixador Allentare il fissaggio Bevestiging losdraaien Desserrez les fixations</p>		<p>Drill Hole Perforar Bohrloch Fazer furo Praticare un foro Gat boren Percez un trou</p>
	<p>Phillips Screwdriver Destornillador Phillips Kreuzschlitzschraubendreher Chave de fendas Phillips Cacciavite a stella Kruiskopschroevendraaier Tournevis à pointe cruciforme</p>		<p>Adjust Ajustar Einstellen Ajustar Regolare Afstellen Ajuster</p>
	<p>Open-Ended Wrench Llave de boca Gabelschlüssel Chave de bocas Chiave a punte aperte Steeksleutel Clé à fourche</p>		<p>Remove Quitar Entfernen Remover Rimuovere Verwijderen Retirez</p>
	<p>By Hand A mano Von Hand Com a mão A mano Met de hand À la main</p>		<p>Optional Opcional Optional Opcional Opzionale Optie En option</p>
	<p>Hex-Head Wrench Llave de cabeza hexagonal Sechskantschlüssel Chave de cabeça sextavada Chiave esagonale Zeskantsleutel Clé à tête hexagonale</p>		<p>Security Wrench Llave de seguridad Sicherheitsschlüssel Chave de segurança Chiave di sicurezza Veiligheidssleutel Clé de sécurité</p>

TOOLS REQUIRED FOR INSTALLATION



PARTS



Installation

Install Attachment Brackets to Faceplate

TS525 or iCF50 Installation

NOTE: Display does NOT have to be removed to attach brackets to TS525TU or iCF50 faceplate.

IMPORTANT ! : If also installing center channel speaker bracket (TA350) or another accessory above or below display, install that bracket at this point instead of the respective attachment bracket (B). The attachment bracket will not be used in these cases as the accessory brackets will connect directly to the horizontal brackets (A). See corresponding installation instructions for details.

1. Use four #10-24 x 1/4" button head cap screws (E) to connect attachment bracket (B) to upper holes on swing arm faceplate. (See Figure 1)

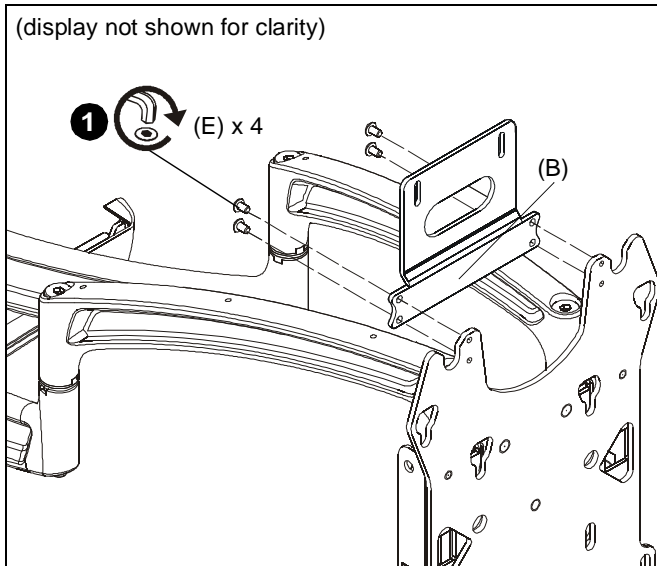


Figure 1

2. Use four #10-24 x 1/4" button head cap screws (E) to connect second attachment bracket (B) to lower holes on swing arm faceplate. (See Figure 2)

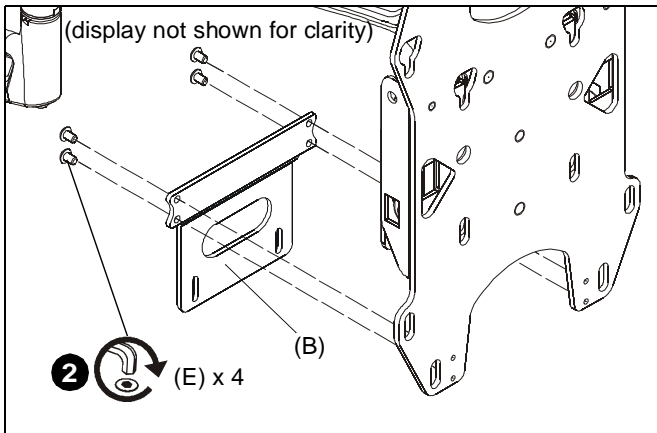


Figure 2

3. Proceed to Speaker Bracket Installation Section.

TS3XX or iCF30 Installation

IMPORTANT ! : If also installing center channel speaker bracket (TA350) or another accessory above or below display, install that bracket at this point instead of the respective attachment bracket (B). The attachment bracket will not be used in these cases as the accessory brackets will connect directly to the horizontal brackets (A). See corresponding installation instructions for details.

1. If already installed, remove display from faceplate. See swing arm installation instructions for details.
2. Use four #10-24 x 1/2" Phillips flat head cap screws (J) and four #10-24 lock nuts (H) to connect attachment bracket (B) to upper holes on faceplate. (See Figure 3)

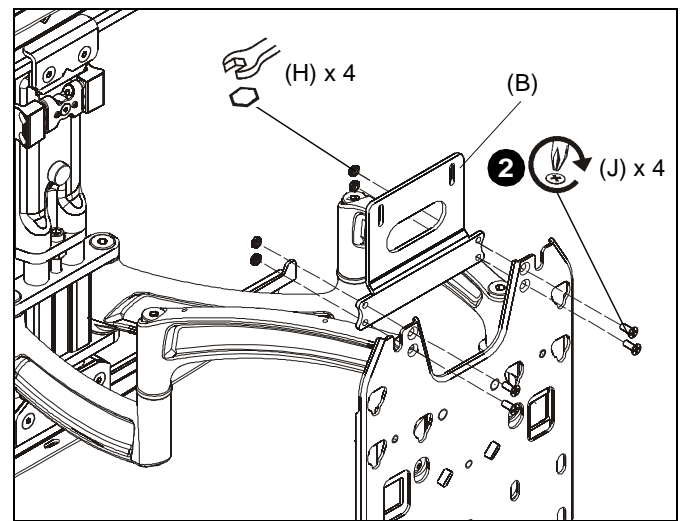


Figure 3

3. Use four #10-24 x 1/2" Phillips flat head cap screws (J) and four #10-24 lock nuts (H) to connect second attachment bracket (B) to lower holes on faceplate. (See Figure 4)

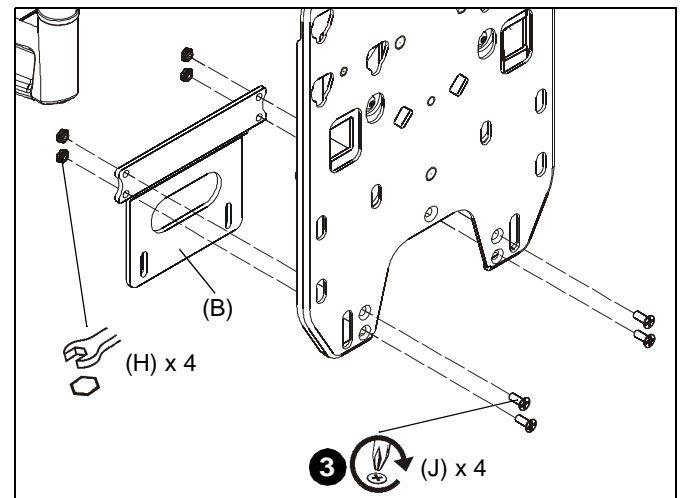


Figure 4

4. Install display to faceplate. See swing arm installation instructions for details.

Speaker Bracket Installation

1. Use four #10-24 x 3/8" Phillips machine screws (D) to connect one speaker bracket (C) to upper and lower horizontal brackets (A). (See Figure 5)

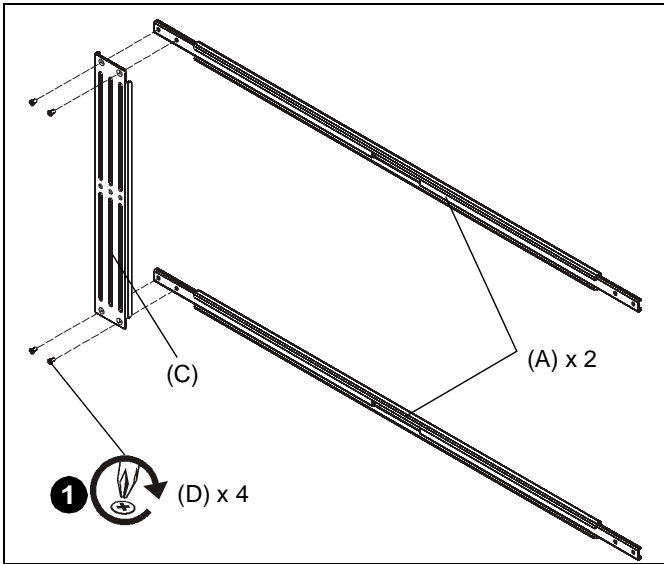


Figure 5

2. Slide connected horizontal brackets (A) and speaker bracket (C) onto back of display until center two holes on top horizontal bracket are aligned with two slots on top of attachment bracket (B). (See Figure 6)

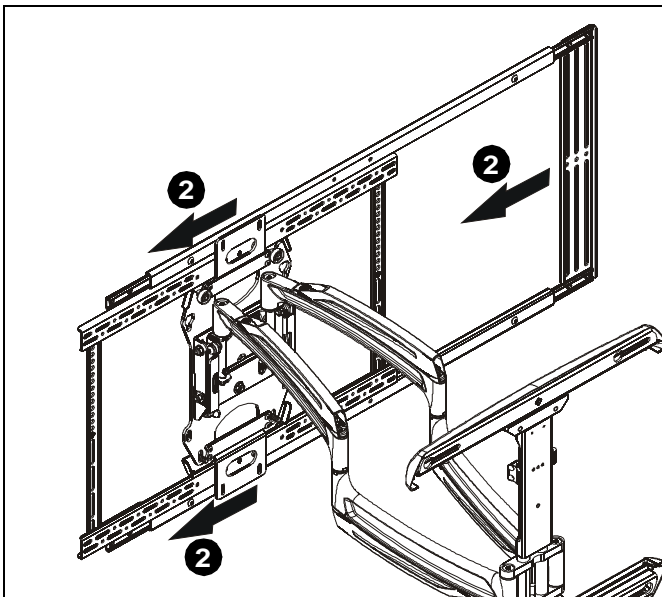


Figure 6

3. Use two #10-24 x 1/2" button head cap screws (F) and two #10 washers (G) to connect top horizontal bracket (A) to attachment bracket (B). (See Figure 7)

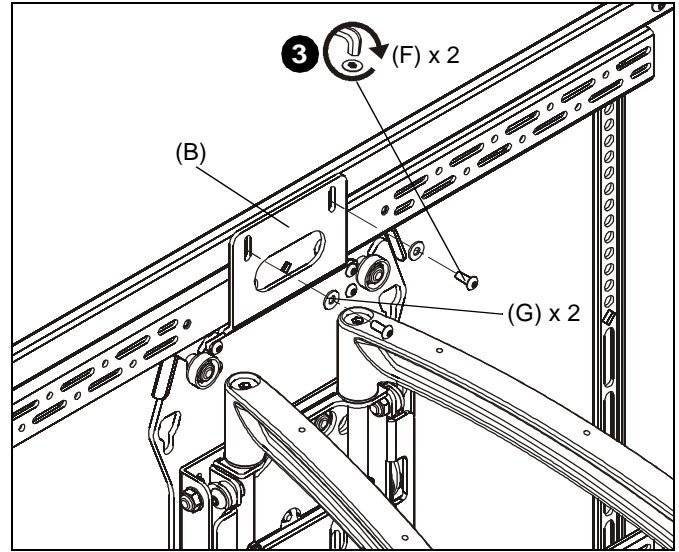


Figure 7

4. If necessary, extend arms beyond edge of display by loosening (not removing) extension adjustment screws on horizontal brackets and extending arms. Tighten adjustment screws when desired position is reached. (See Figure 8)
5. Use four #10-24 x 3/8" Phillips machine screws (D) to connect second speaker bracket (C) to upper and lower horizontal brackets (A). (See Figure 8)

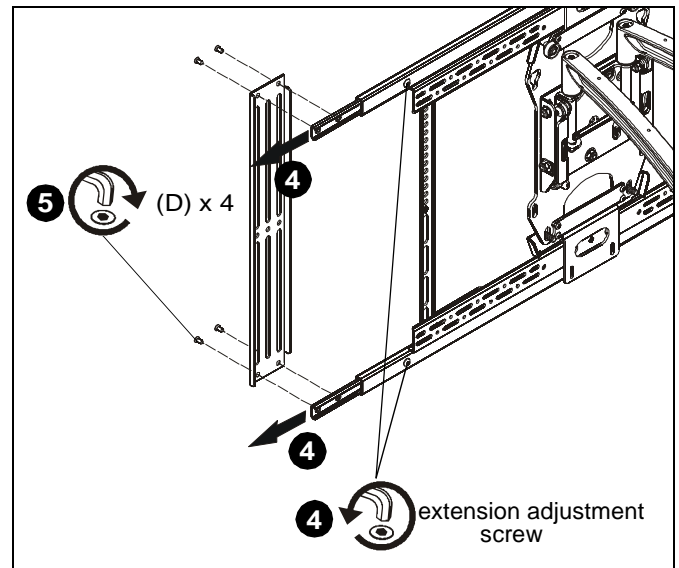


Figure 8

- Use two #10-24 x 1/2" button head cap screws (F) and two #10 washers (G) to connect lower horizontal bracket (A) to either attachment bracket (B), TA350 bracket (if also using center channel) or other accessory bracket. See corresponding installation instructions for details if another bracket is being installed. (See Figure 9)

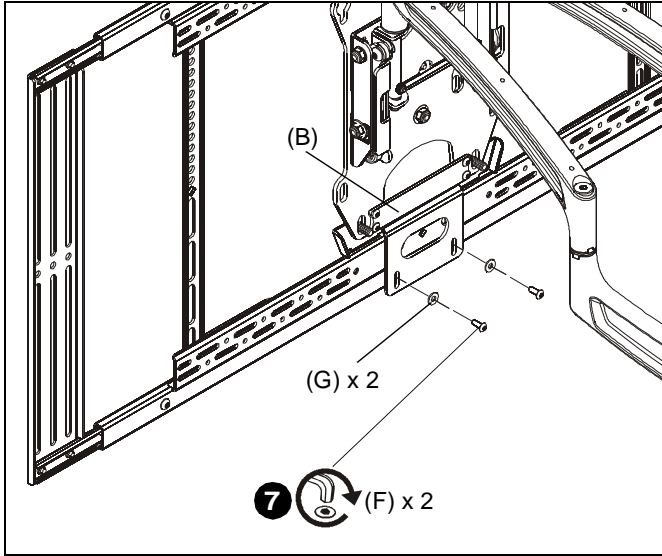


Figure 9

- Attach speakers to speaker brackets (C) appropriate hardware (not provided). Adjust extension of horizontal brackets as needed. (See Figure 10)

⚠ WARNING: Exceeding the weight capacity can result in serious personal injury or damage to equipment! It is the installer's responsibility to make sure the combined weight of all equipment and accessories mounted on the TA300 bracket does not exceed 20 lbs (9.08 kg) or 10 lbs (4.54 kg) per speaker.

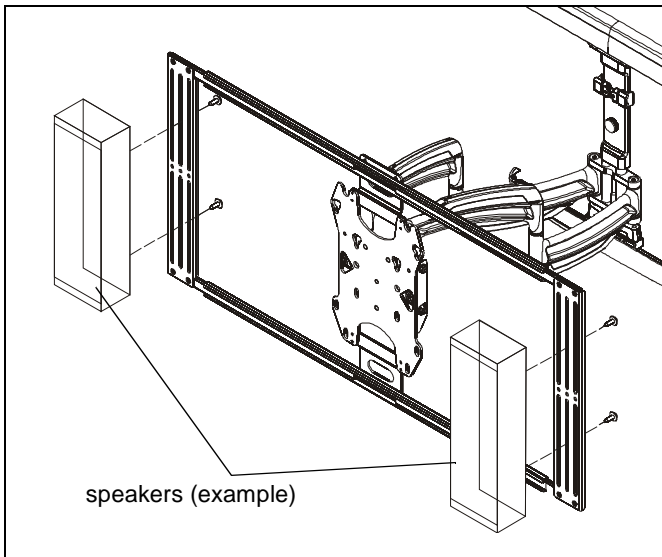


Figure 10

Adjustments

Extension Adjustment

- Loosen four extension adjustment screws on horizontal brackets. (See Figure 11)
- Adjust speaker brackets to desired horizontal positions. (See Figure 11)
- Tighten four extension adjustment screws when desired mounting position is reached. (See Figure 11)

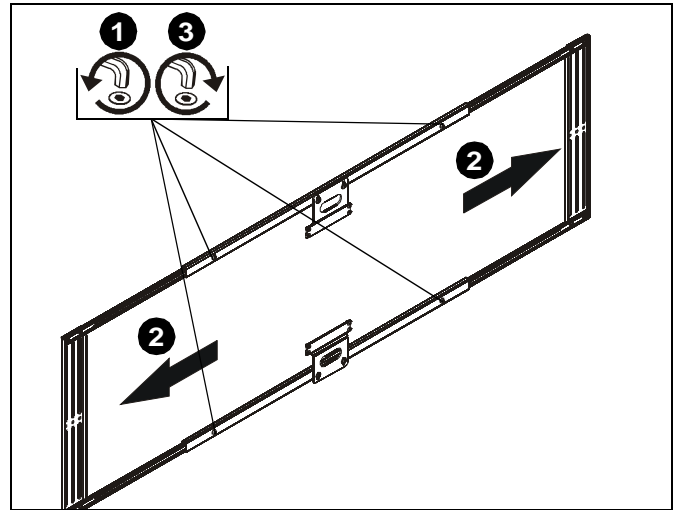


Figure 11



Our Mounts. **Your Vision.**

Chief Manufacturing, a products division
of Milestone AV Technologies

8805-002021 Rev01
©2011 Milestone AV Technologies, a
Duchossois Group Company
www.chiefmfg.com
08/11

USA/International	A 8401 Eagle Creek Parkway, Savage, MN 55378 P 800.582.6480 / 952.894.6280 F 877.894.6918 / 952.894.6918
Europe	A Fellenoord 130 5611 ZB EINDHOVEN, The Netherlands P +31 (0)40 2668620 F +31 (0)40 2668615
Asia Pacific	A Office No. 1 on 12/F, Shatin Galleria 18-24 Shan Mei Street Fotan, Shatin, Hong Kong P 852 2145 4099 F 852 2145 4477

