

Thank you for choosing the *Manual Tab-Tension 2* Series projection screen!

Please be sure to read the precautions and operating instructions carefully before operating the screen. Proper maintenance and handling will ensure a longer life-span of the product.



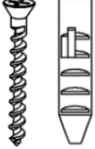
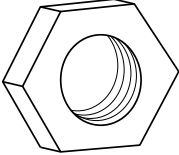
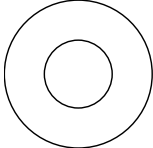
Note:

Wall screws included with this product are complementary and may not be adequate for all mounting surfaces. Consult with a professional installer or hardware store for proper mounting screws and anchors.

Regardless of the mounting method, the screen should be securely supported so that the vibration or pulling on the viewing surface will not cause the screen case to become loose or fall. The installer must ensure that proper mounting hardware and the fasteners used are of adequate strength and suitable for the mounting surface.

Hardware Parts List

Please make sure all parts listed below are included before proceeding with the installation.

A. Mounting Bracket	B. Eyebolt	C. Dry-wall Anchor and D. Screw
		
E. Nut	F. Washer	
		

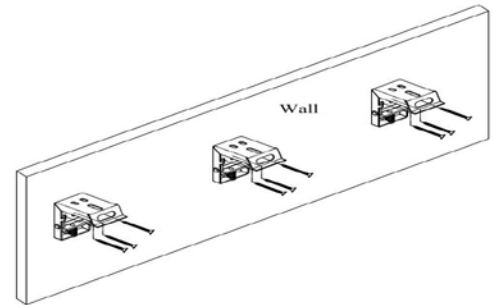
Item	Part List	106" Screen	110" Screen	125" Screen	140" Screen
A	Mounting Bracket	2	2	2	3
B	Eyebolt	2	2	2	3
C	Drywall Anchor	6	6	6	9
D	Screw	6	6	6	9
E	Nut	4	4	4	6
F	Washer	4	4	4	6

Installation Instructions

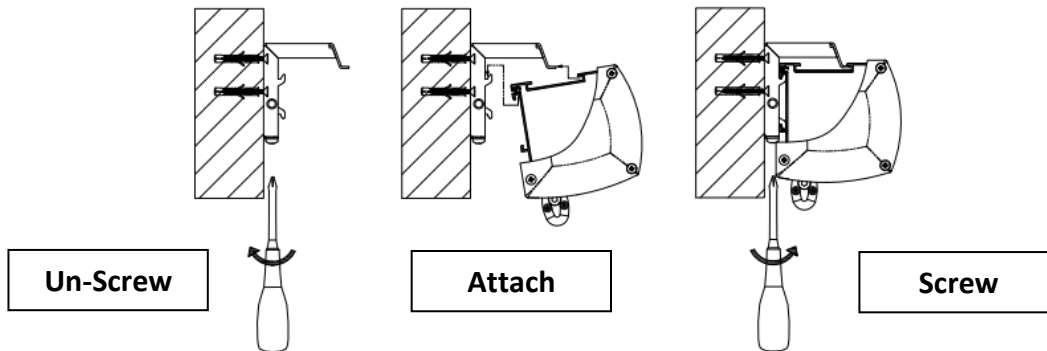
For installation assistance, please consult a professional Installer. Elite Screen is not liable for faulty installations.

A. Flush Wall Mount

1. Determine where the screen will be installed. Mark the screw hole locations, drill the holes and insert the *dry-wall anchor (C)*.
2. Install the *mounting bracket (A)* to the wall and secure with a *screw (D)*.

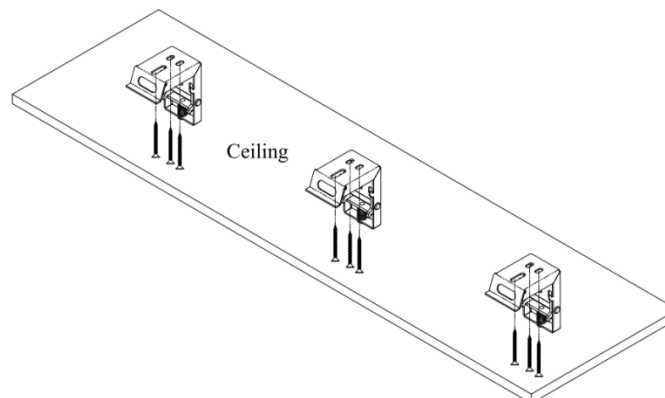


3. Un-screw the screw on the Bracket, attach the screen into the Mounting Bracket, then screw the screw to make sure the case slot is securely attached to the Mounting Bracket.

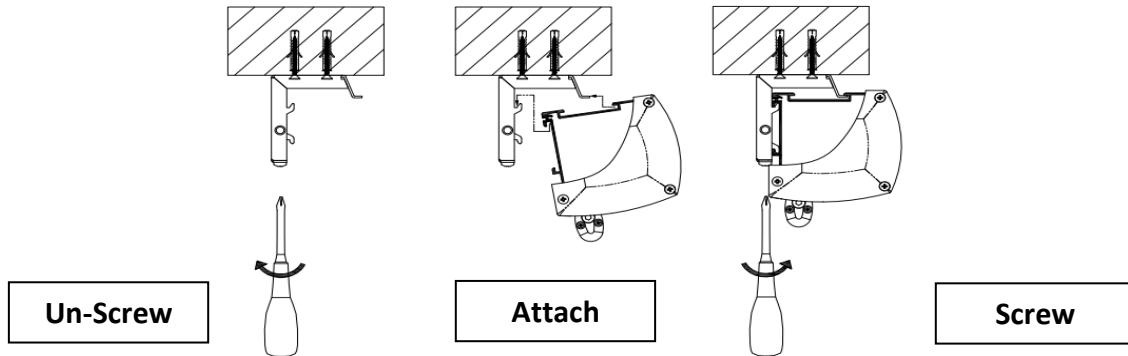


B. Flush Ceiling Mount

1. Mark the location where the screen is to be installed, drill the holes and insert the *Dry-wall Anchor (C)*.
2. Install the *Mounting Bracket (A)* to the ceiling and secure with the *Screw (D)*.

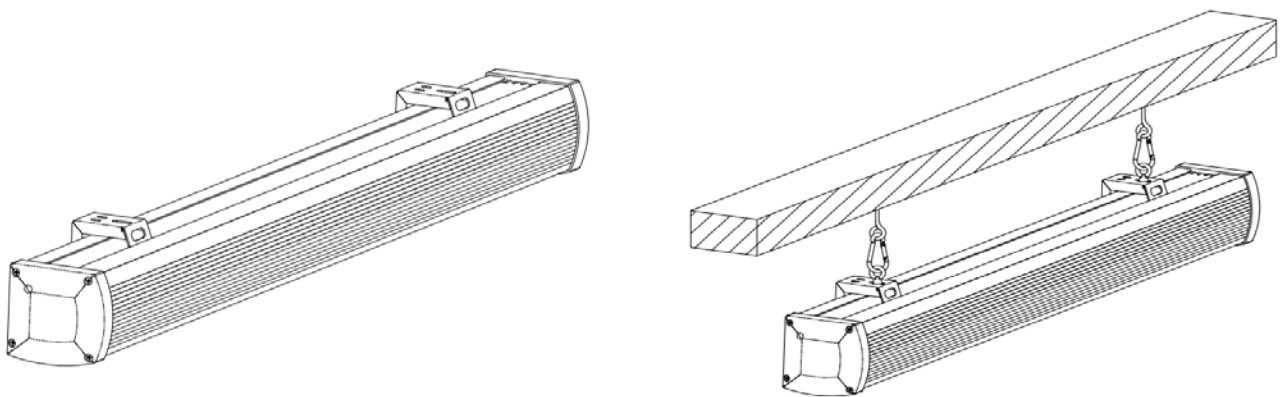


3. Un-screw the screw on the Bracket, attach the screen into the Mounting Bracket, then screw the screw to make sure the case slot is securely attached to the Mounting Bracket.



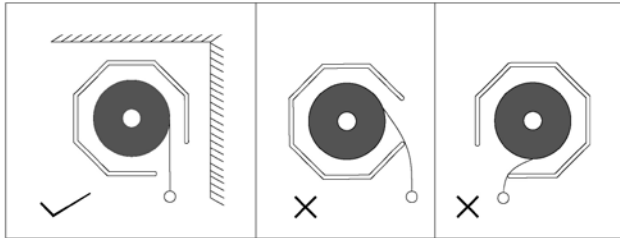
C. Suspended Ceiling Installation (Additional hardware required)

1. Insert the mounting bracket to the screen case. Remove the screw, attach the bracket to the case, then secure the bracket by screwing in the screw.
2. Attach the *Eyebolt (B)* onto the Mounting Bracket by using the *Nut (E)* and *Washer (F)*.
3. Hang the screen onto the ceiling using additional snap link.



Screen Operation

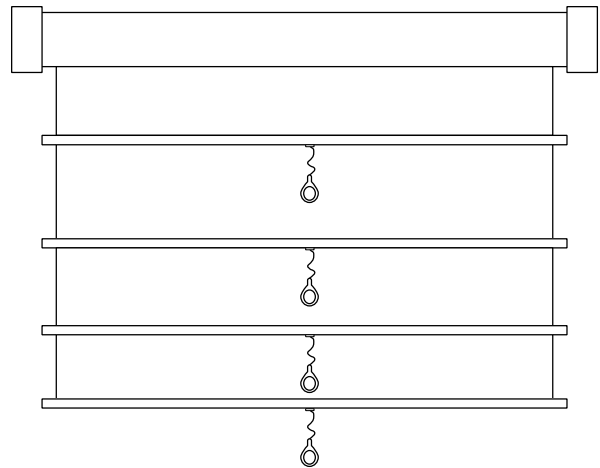
*Note: **Always** pull the screen down or let it up in a 90-degree vertical angle. Do not allow the screen to touch the screen case when the screen goes up or comes down to avoid damaging the screen material.*



1. Pull the screen down from the lanyard or from the handle only in a 90-degree angle. Do not attempt to pull the screen down by the surface or touch the screen, as it will damage the screen and void the warranty.

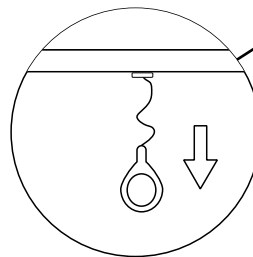
Note: An internal auto-lock mechanism system will cause the screen to stop and lock on the position at intervals.

2. If you want the screen to retract back, simply pull the screen down more than 2 inches and retract the screen back by quickly and smoothly releasing it up gently. The screen is equipped with a **SLOW RETRACT MECHANISM (SRM)** which allows the screen to slowly retract without the need to hold on to the handle or lanyard. Simply release the handle and the screen will retract by itself.



Note: Always release at a 90-degree angle and do not let go until the screen is entirely inside the case

If ever the screen feels stuck, keep in mind that the screen's mechanism is new and needs to be run up/down a few times to loosen up. If this happens, carefully with a little force yank the screen straight down to unlock the screen.

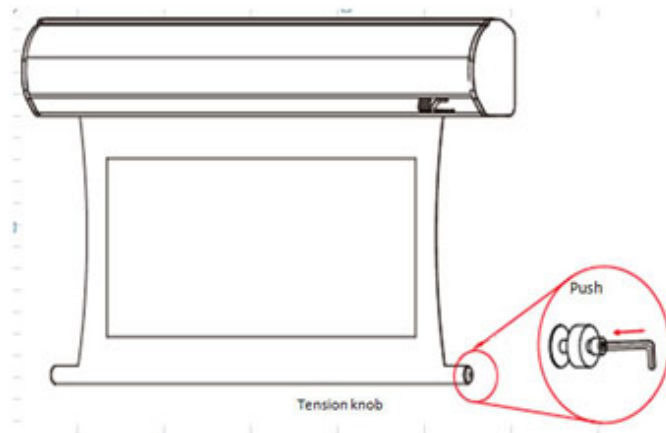


Note: Improperly bringing the screen up/down will damage the screen material or rolling system.

RETRACTION TIP: If you are not able to pull the screen down two inches when attempting to retract it, give the screen a quick yank downwards with a little bit of force. Please be sure to not stand directly under the housing of the unit when yanking down on the screen.

Screen Material Tension Adjustment (4mm Allen Wrench required and not included)

Insert your 4mm Allen Wrench to push in the adjustment tension knob, turn clockwise and your screen will gain more tension. Turn the Allen Wrench counter clockwise and the screen will lose tension. Please note this adjustment is not necessary as the tension of the screen has been set to its factory setting for best performance. Please contact Elite Screens for assistance to avoid damaging the screen and voiding your warranty.



For more information, technical support or your local Elite Screens contact, please visit www.elitescreens.com