



Universal Ceiling Trim Kit

Part numbers:

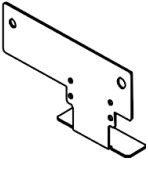
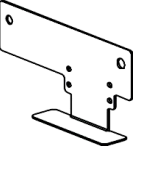
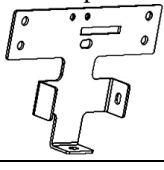
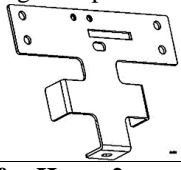
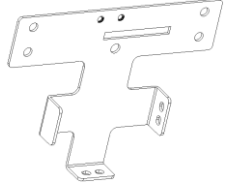
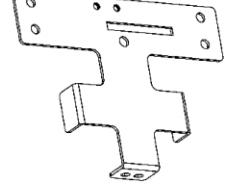
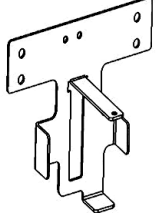
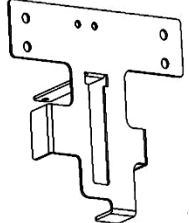
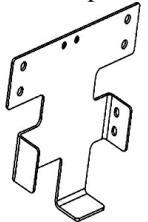
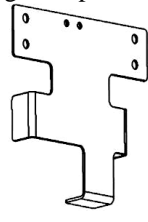
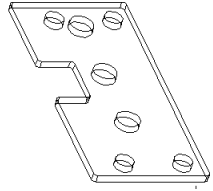
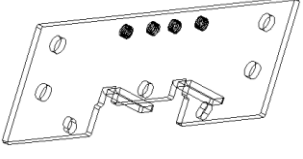
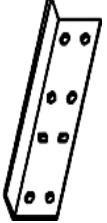
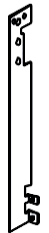
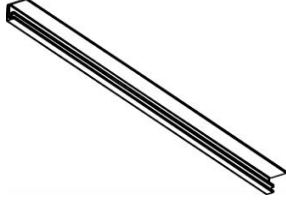






ZCU1, ZCU2, ZCU3, ZCU4, ZCU5

In-ceiling trim kit for Elite Electric Screens

User's Guide



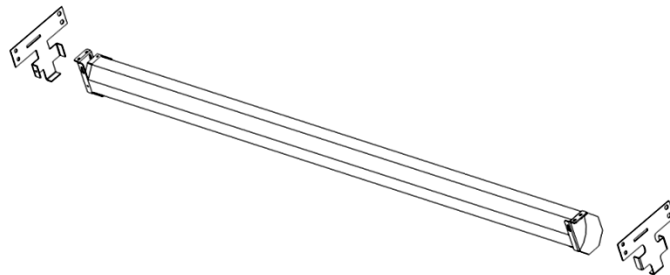
Hardware and Parts List

1. Assembly Plank		2. Brackets for VMAX 2 (below 135")		
Left x 1 pc 	Right x 1pc 	Left x 1 pc 	Right x1 pc 	
3. Brackets for VMAX 2 (135"-170")		4. Brackets for Home 2		
Left x 1 pc 	Right x 1pc 	Left x 1 pc 	Right x 1pc 	
5. Brackets for CineTension 2		6. Bracket/Plank for VMAX Tab-Tension Dual		
Left x 1 pc 	Right x 1pc 	Bracket 4 pcs 	Plank x 2 pcs 	
7. Connector x 2 pcs 	8. Assembler x 4 pcs 	9. Ceiling Panel x 4pcs 	10. Suspension Bar x 4 pcs  (L: 910±10mm)	
11. M6 Screw & Nut x 12 pcs 	12. M5 Screws x 26 pcs 	13. M4 Screws x 8 pcs 	14. M4 Screws x 8 pcs 	15. M5 Nut x 10pcs 

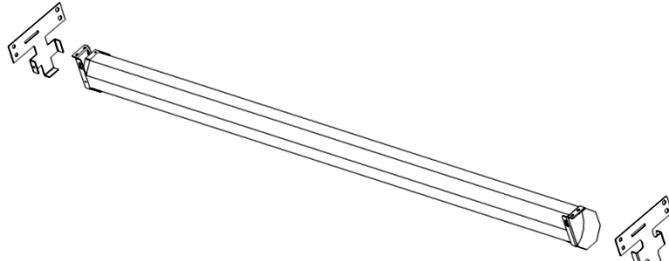
Installation

1. Use the correct bracket according to your screen series to install the screen.

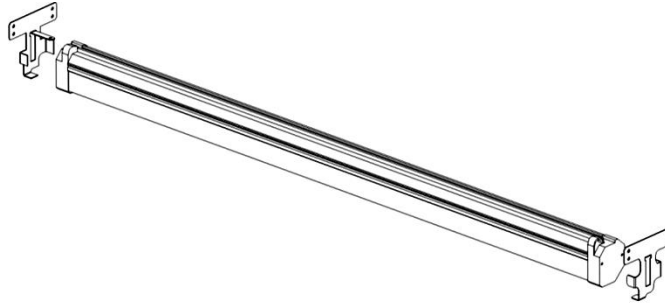
VMAX2 Series (2)



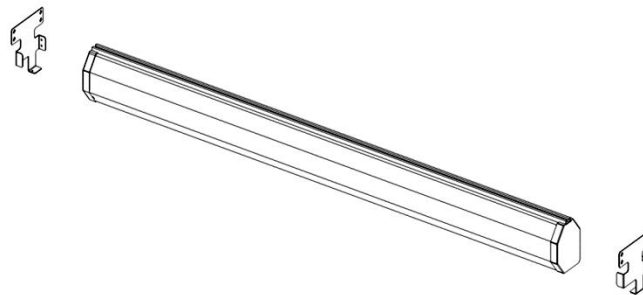
VMAX 2 Series 135"-170 (3)



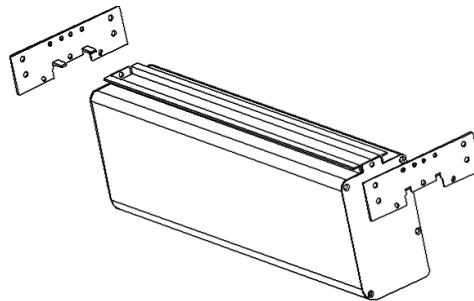
HOME2 Series (4)



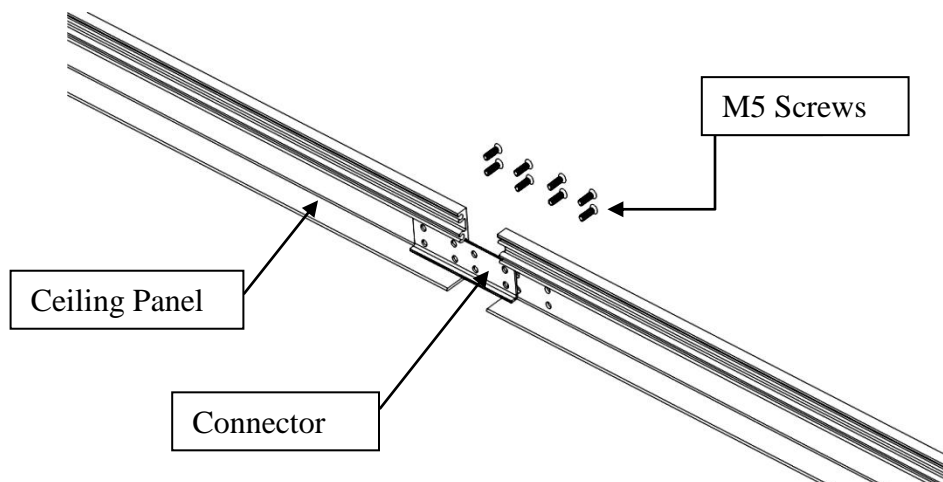
CineTension2 Series (5)



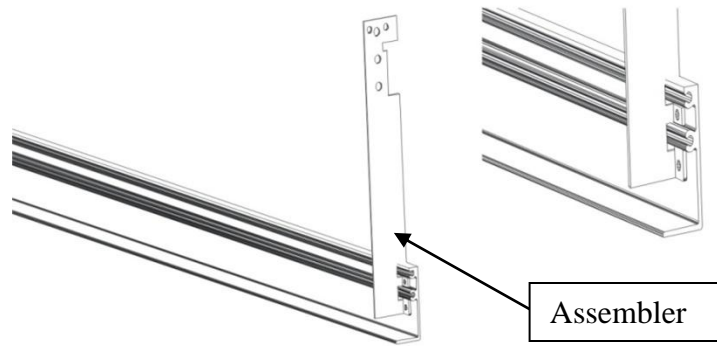
VMAX Tab-Tension Dual Series (6)



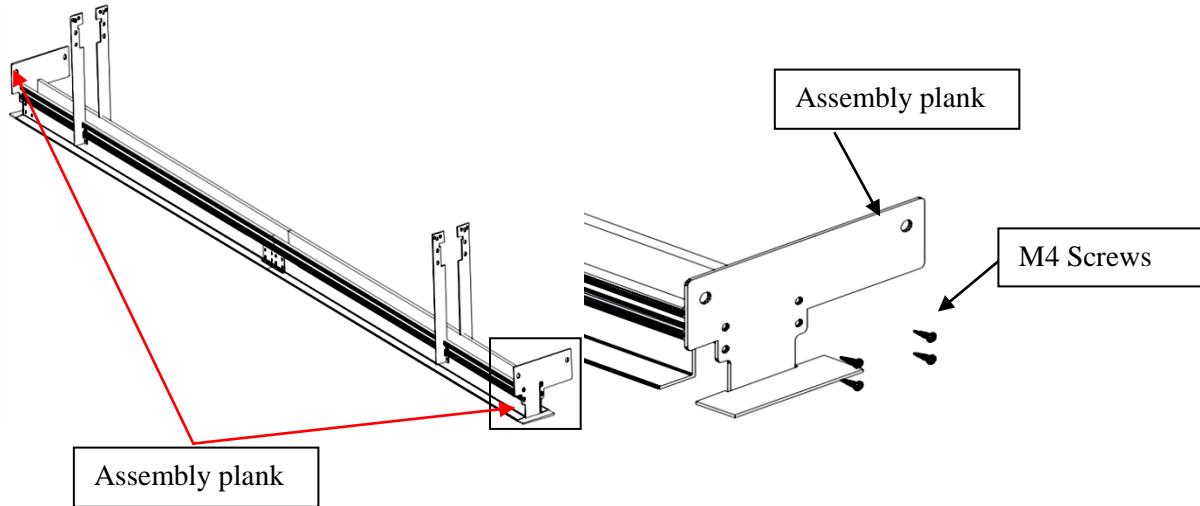
2. Attach the **Ceiling Panel** (9) with the **Connector** (7).



3. Insert the **Assembler** (8) into to the groove of the **Ceiling Panel** (9)

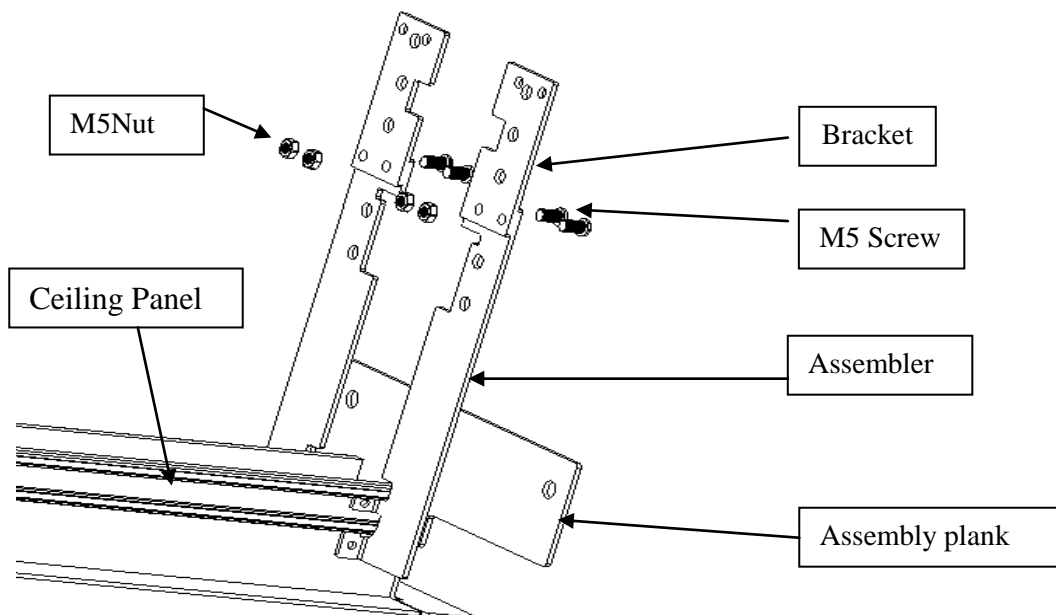


4. Attach the **Assembly Plank** (1) to the **Ceiling Panel** (9) and secure with **M4 screws** (14) on both sides as shown below.



Note: Step 5 only applies to a VMAX Tab-Tension Dual Series Installation.

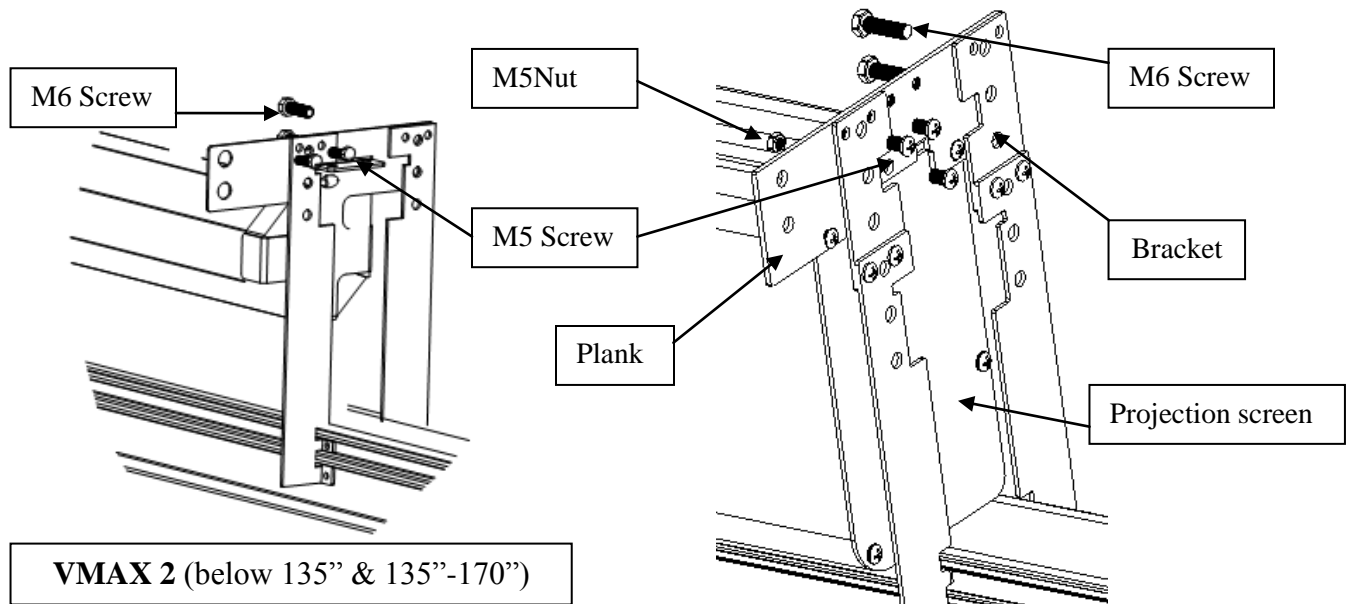
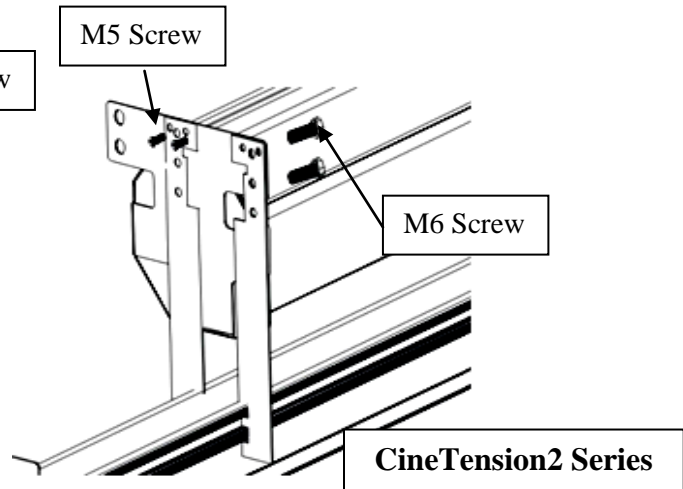
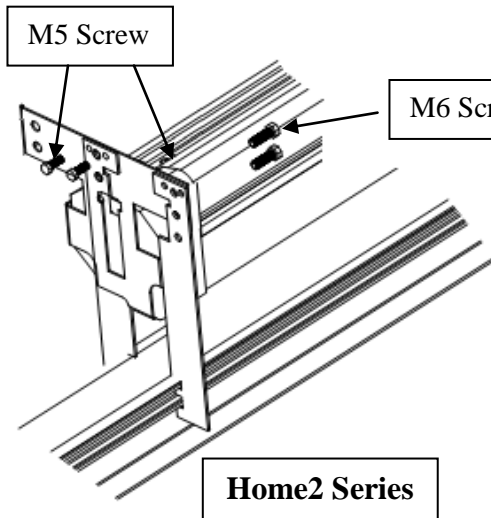
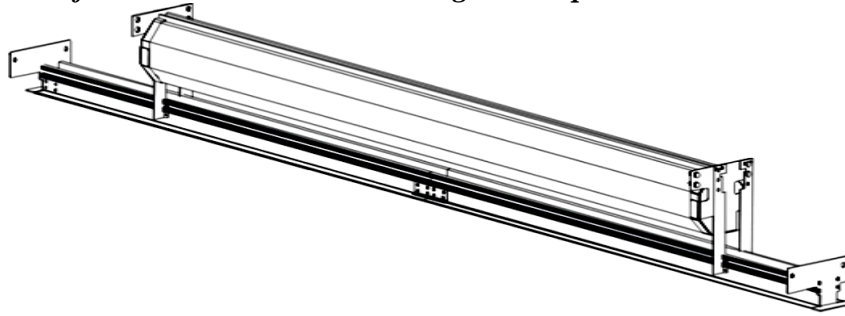
5. Attach the VMAX Tab-Tension Dual **Bracket** (6) to the **Assembler** (8) and secure with the **M5 Screw** and **M5 Nut**.



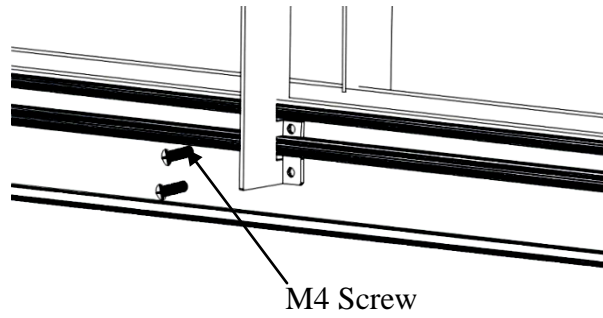
ATTACH THE SCREEN TO THE TRIM KIT

1. Adjust the distance of the **Assembler** (8) to your screen as shown below and lightly secure with the M6 Screw.

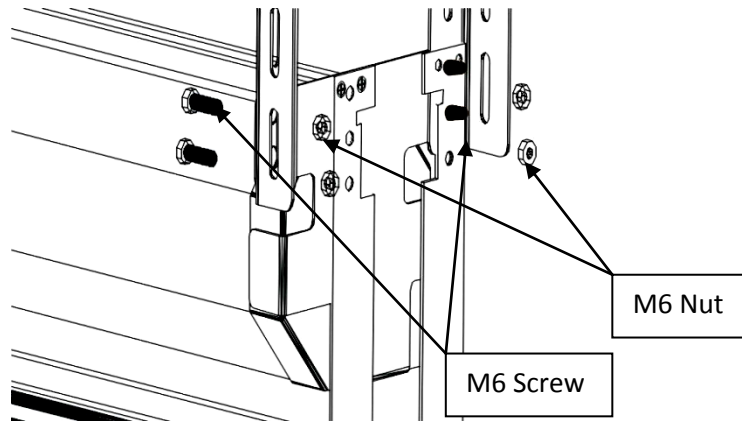
Note: Do not fix the M6 nut until attaching the Suspension Bar



2. Adjust the level and secure the **Assembler** (8) with the **M4 screws** (13).

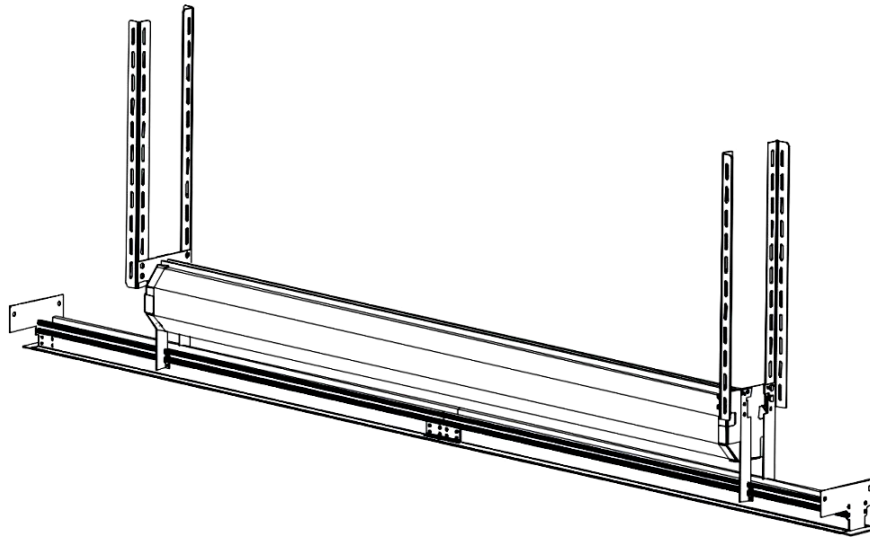


3. Cut the **Suspension Bar** (10) to your required length and install it on the bracket and secure with the **M6 nut** (11).

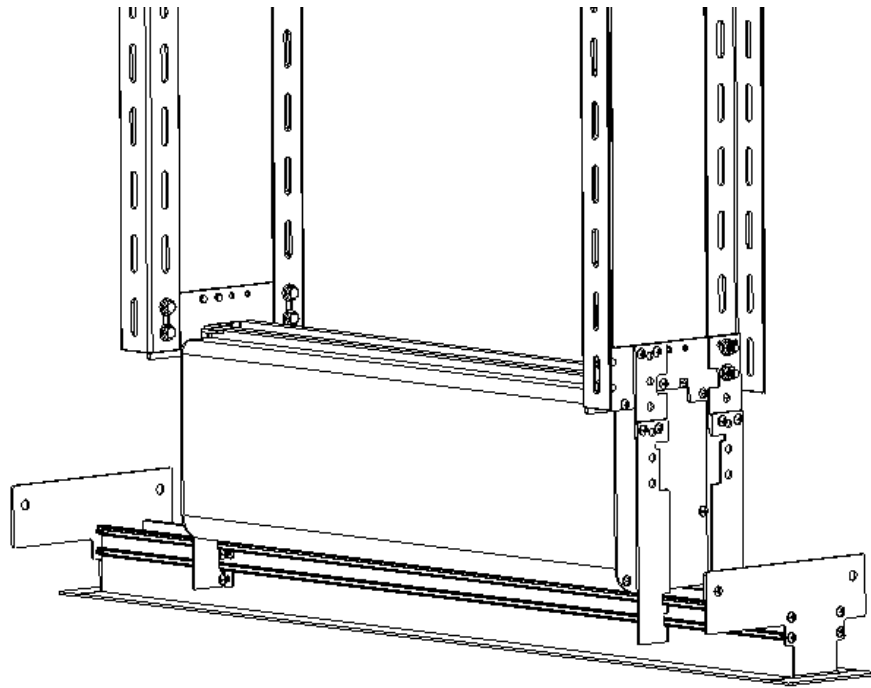


4. Congratulations, the assembly is finished and your Screen and Universal Ceiling are ready to be installed in the ceiling.

A. Example of CineTension 2 screen assembled

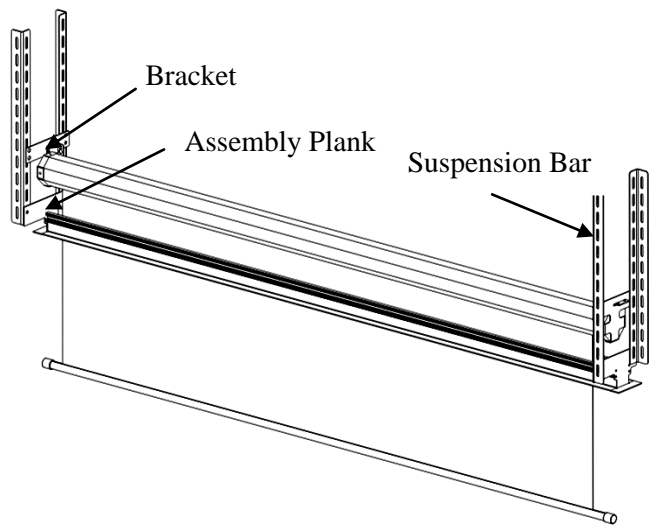


B. Example of VMAX Tab-Tension Dual assembled

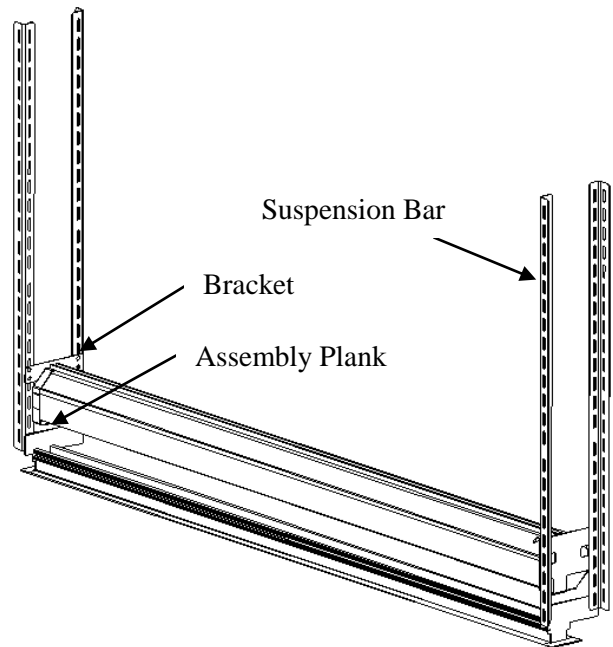


5. If your screen is the VMAX84H, VMAX100H, Home120H or Home150V, you can assemble the Universal Ceiling kit without the **Connector** (7).

VMAX84H & VMAX100H



Home120H & Home150V



For a local Elite Screens contact or Technical Support, please visit

www.elitescreens.com