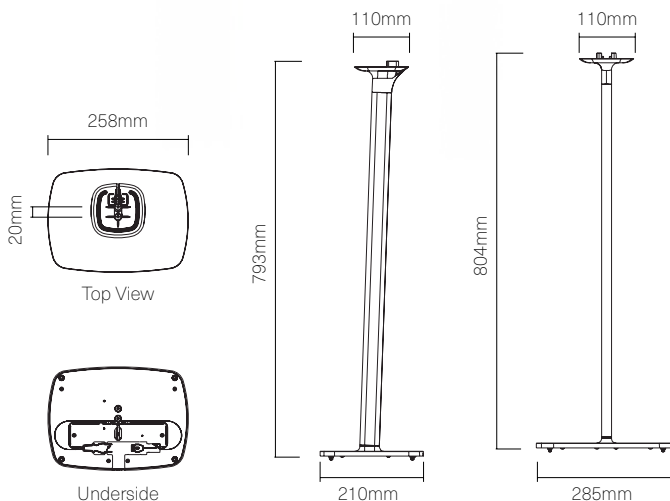


S1-FS (Single) S1-FSX2 (Pair) Floor Stand for Sonos One, One SL and Play1



The Flexson Floor Stand for Sonos One, One SL or Play, 1 holds the speaker at the ideal listening height, and comes with a range of cable management to keep things neat. The stand upright has room for the power cable plus network cable if required, with neat routing for both at the base. As an added bonus, the Flexson Floor Stand for Sonos One, One SL or Play, 1 comes with a power extension cable included, so it's easier to put the stand in the perfect place in your room, even if that's not next to a mains power socket. Like all Flexson products, the Floor Stand for Sonos One, One SL or Play, 1 is precision engineered, and is quick and easy to assemble. It is available in black and white finishes - to match the Sonos One, One SL or Play, 1 and in both single and pair packs.

- Bespoke design securely holds the Sonos One, One SL and Play, 1
- Positions the speaker at the ideal height for seated listening
- Includes power extension cable - gives you extra reach to mains plug sockets
- Quick and easy assembly
- Includes adjustable carpet spikes and rubber feet for wood/tiled floors
- Clever cable management to keep things tidy
- Available in black or white to perfectly match the Sonos One, One SL and Play: 1
- Constructed from steel and aluminium
- Designed in the UK

	White	Black
S1-FS EU Single	FLXS1FS1011 EU	FLXS1FS1021EU
UPC Number	652508362366	652508362373
S1-FSX2 EU Pair	FLXS1FS2011EU	FLXS1FS2021EU
UPC Number	652508362380	652508362397
S1-FS US Single	FLXS1FS1011US	FLXS1FS1021US
UPC Number	652508362557	652508362564
S1-FSX2 US Pair	FLXS1FS2011US	FLXS1FS2021US
UPC Number	652508362571	652508362588

Product Specifications	Height	Width	Depth	Weight
Product Size (mm)	804mm	220mm	210mm	2.1kg
Carton Dimensions (mm)	745mm	220mm	80mm	2.6 kg (x1)
				4.7 kg (x2)
Carton Contents	S1-FS 1 x Floor Stand & 1 x Instructions S1-FSX2 2 x Floor Stand & 1 x Instructions			
Country of Manufacture	China	Outer Carton Quantity		4