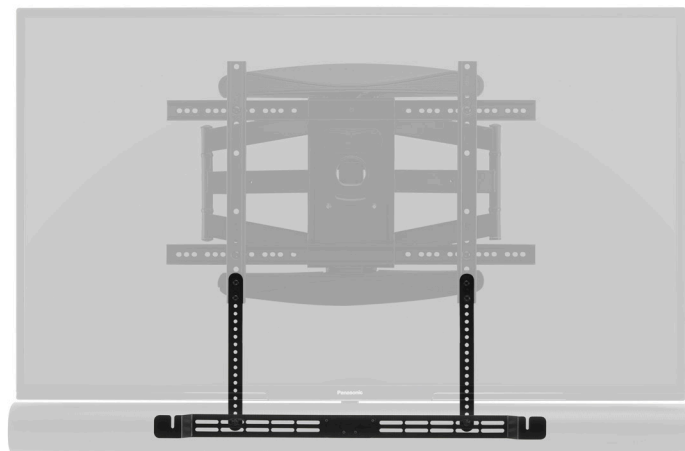


SAR-TVMA TV Mount Attachment for Sonos Arc

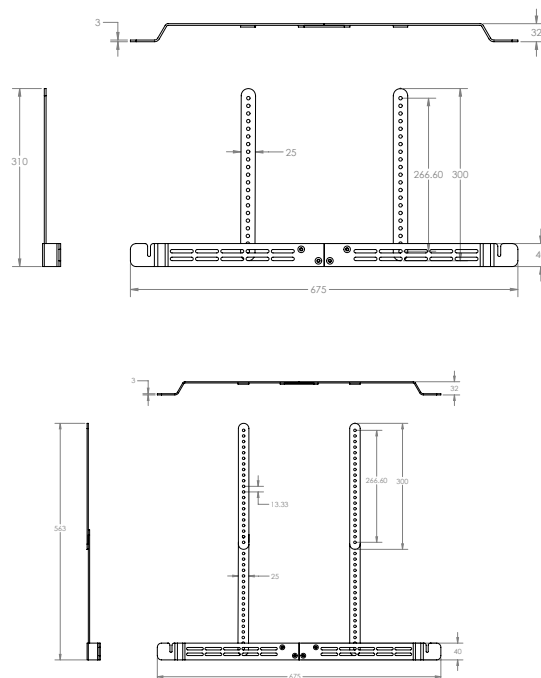


Designed to fit easily on to an existing full-motion TV wall mount, the Flexson TV Mount Attachment for Sonos Arc holds the Arc securely in place while allowing it to move with the screen. Flexson's unique design positions the Sonos Arc 30mm in front of the TV, allowing you to harness the power of Dolby Atmos and immerse yourself in your music, movies and more.

The Flexson TV Mount Attachment for Sonos Arc is the perfect partner for TVs from 40in to 80in in size – just add a Sonos Arc for wonderfully unified sound and vision.

Like all Flexson products, the Flexson TV Mount Attachment for Sonos Arc is precision engineered in the UK, easy to fit and comes with all the fixings you need.

- Allows you to attach Sonos Arc securely to any existing TV wall mount
- Easy-to-fit design that holds Sonos Arc securely
- 30mm step to position speakers in front of the TV
- Optimised for Sonos Trueplay
- 2-part assembly of main bracket for reduced packaging
- Sonos Arc moves with your TV when using a full-motion mount
- Vertical and horizontal adjustment allows perfect alignment with screen
- Includes extension arms for larger TVs
- Suitable for 40" to 80" TVs
- VESA compatibility from 200x200 to 800x800
- Precision engineered from high grade-steel
- Designed and manufactured in the UK



	Black
Product Code	FLXSARTV1021
UPC Number	5057964002217

Millimetres / Kilograms	Height	Width	Depth	Weight
Product Size	310 >563	675	32	1.4
Millimetres / Kilograms	Length	Width	Height	Weight
Retail Carton	370	60	45	1.45
Carton Contents	1 x TV Mount, 2 x Extension arms, 2 x Spacers, Instructions			
Outer Carton Quantity	1	Country of Manufacture	UK	