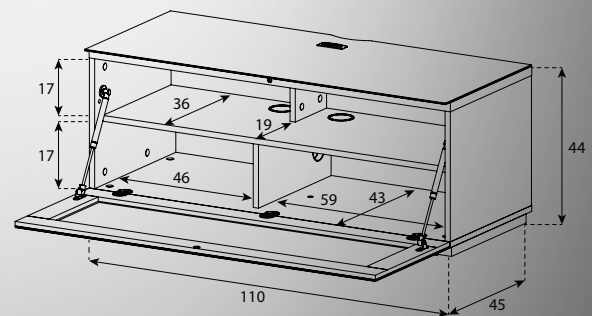


European
Manufactured

\$899.99



ST110IBLKBLKBS

32 - 50"

50 KG

Laminated
MDP + Glass

W1100 x D450 x H440 mm



Introduction

Handmade with an attractive high gloss black finish, the Sonorous Studio ST-110 offers the perfect storage solution for all your audio visual equipment whilst being at the forefront of modern contemporary design. The front glass door is infrared friendly, allowing you to control your AV devices via remote even whilst they are stored away without having to compromise on design.

Features

- Top shelf and front door tempered safety glass
- Flap door with push to open system
- Cable management system
- IR friendly front glass

SONOROUS[®]

AV Supply Group | www.avsupply.co.nz & www.avsupplygroup.com.au

