

Installation requirements and recommendations

Recommended room size

Square footage

Minimum: 8.0' x 8.0' (2.4 x 2.4 m)

Maximum 20.0' x 20.0' (6.1 x 6.1 m)

Integrated microphone and speaker bar recommended installation height

Minimum recommended installation height: 7.1' (2.2 m)

Maximum recommended installation height: 10' (3.0 m)

Ceiling height

Minimum: 8.0' (2.4 m)

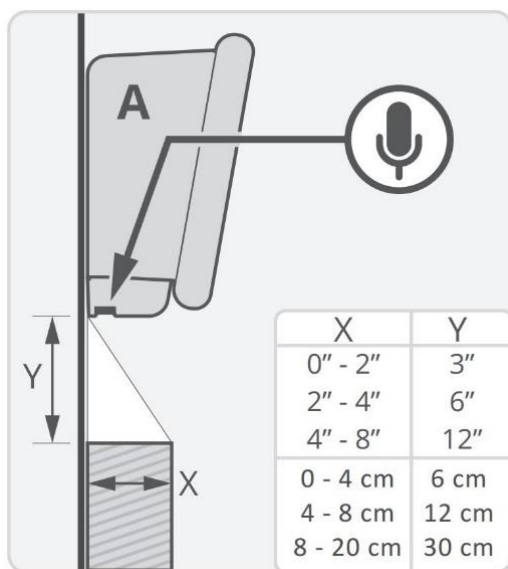
Maximum: N/A

Microphone clearance requirements and recommendations

The microphone array is located along the bottom edge of the microphone and speaker bar. Ensure the installation location meets the following requirements and recommendations to optimize microphone pick up.

1. Ensure there is adequate clearance below the microphones

When installing the system, ensure the microphone and speaker bar has adequate clearance between the bottom of the bar and any objects located directly below the bar.

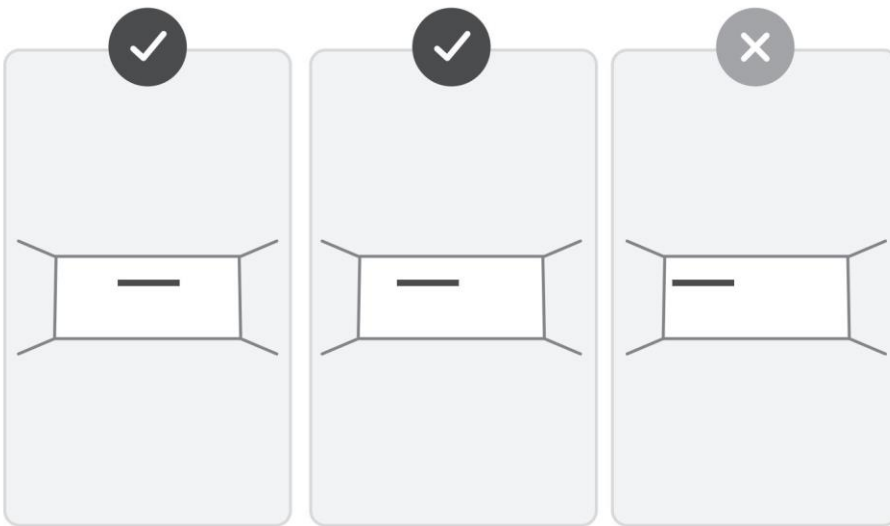


2. Do not install the microphone and speaker bar above hardware with fans.

Hanging the product above hardware with fans, such as flat panel displays, can cause interference with the microphone pickup.

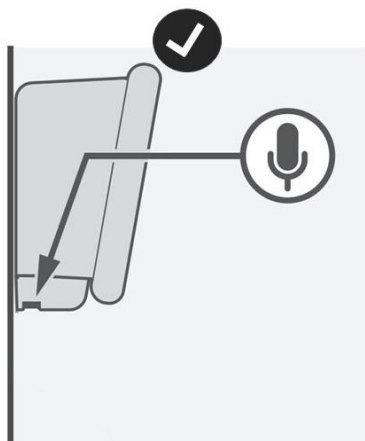
3. Allow for adequate space between the outside edges of the speaker bar and the corners of the room

Installing the microphone and speaker bar against the corner of a room will impede the microphone pickup.

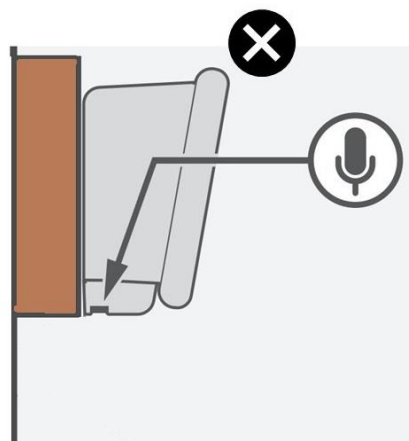


4. Install the microphone and speaker bar flush against the wall

The microphone array needs to be flush with the wall below to optimize microphone pick up. If you are hanging the unit on a mount, ensure it has at least 4" (10.2 cm) of flush, flat space below the microphone array.



Side-view of the microphone and speaker bar installed flush against the wall



Side-view of the microphone and speaker bar mounted on a piece of wood. The microphone array is not flush with the wall below it.

5. Do not install the microphone and speaker bar on soft surfaces

Soft surfaces, such as cubicle wall paneling, will absorb the sound and interfere with microphone pickup.

6. Avoid installing the microphone and speaker bar in recessed areas

Placing the bar into a recessed area of the room will negatively affect the microphone pickup.