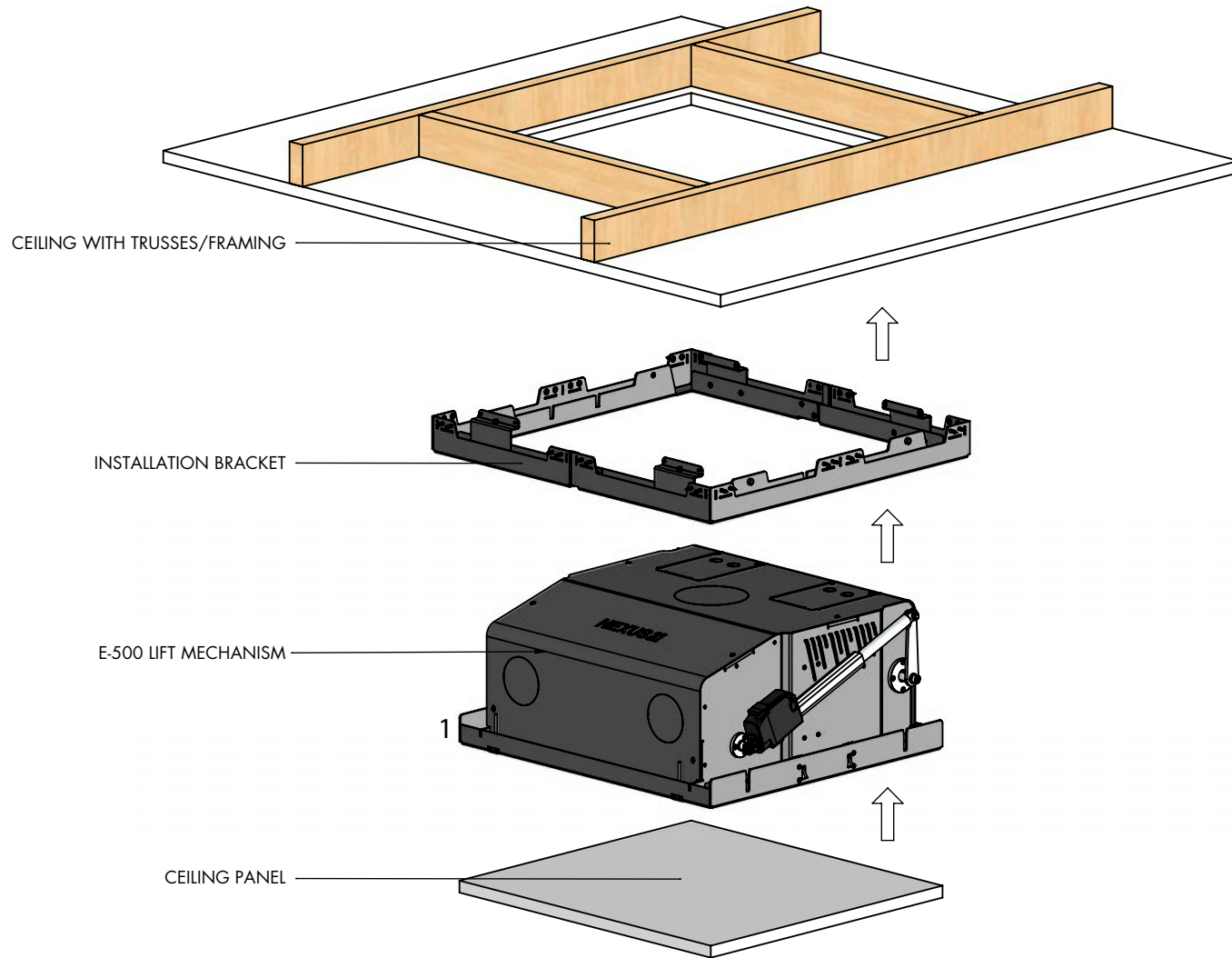


MODEL E-500 DIAGRAM EXPLODED VIEW



NOTES:

1. NEXUS 21 RECOMMENDS THIS INSTALLATION BE COMPLETED BY A LICENSED INSTALLER OR CONTRACTOR
2. ELECTRICAL HOOKUP MUST BE INSTALLED PER AUTHORIZED BUILDING CODES
3. ALL MEASUREMENTS SHOWN IN INCHES WITH CENTIMETERS SHOWN INSIDE []
4. FOR THIS MODEL, THE LENGTH OF ITS TRAVEL [EXTENSION LENGTH OR STROKE] IS 8" [20.3]
5. THE COMBINED WEIGHT OF THE PROJECTOR AND CEILING PANEL CANNOT EXCEED **100 LBS [45.3 kg]**
6. THIS MODEL IS CAPABLE OF HANDLING A MAX PROJECTOR SIZE OF (W x L x H) 22" [55.9] x 20" [50.8] x 8" [20.3]

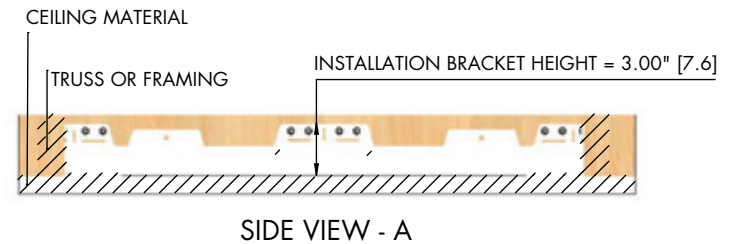
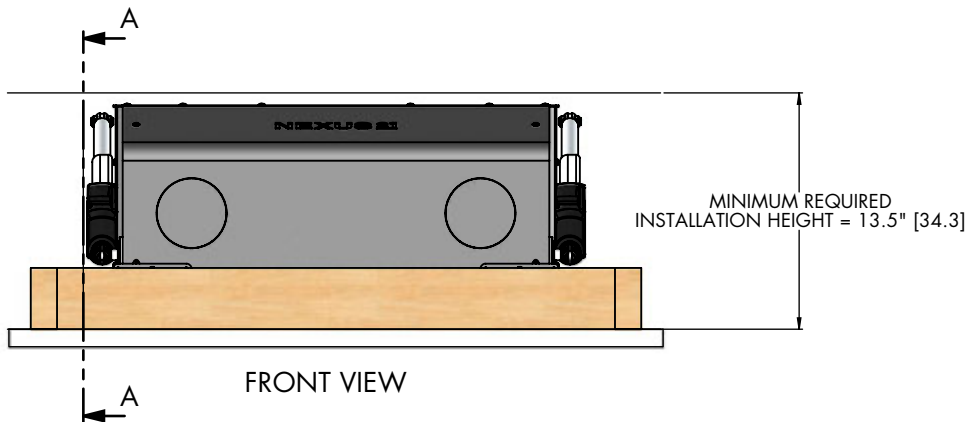
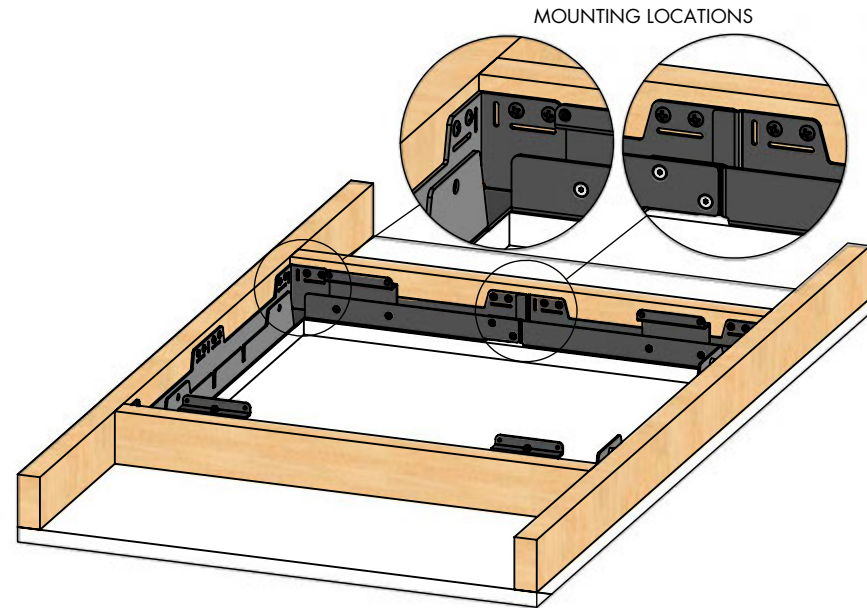
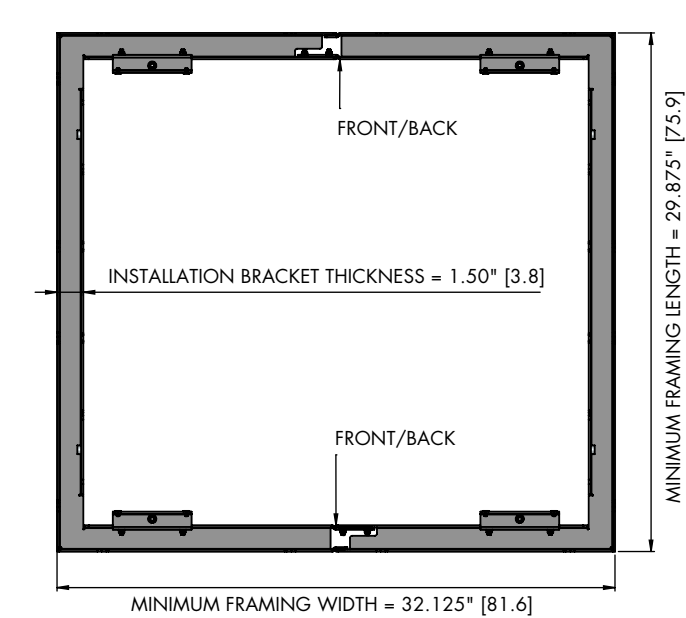
QUICK REFERENCE DIMENSION GUIDE

MAX PROJECTOR SIZE (W x L x H) = 22" [55.9] x 20" [50.8] x 8" [20.3]

NEXUS 21

COPYRIGHT 2018 - ALL RIGHTS RESERVED
UPDATED 01/26/18

MODEL E-500 DIAGRAM FRAMING DIMENSIONS



| QUICK REFERENCE DIMENSION GUIDE | |
|---|--|
| MINIMUM FRAMING DIMENSIONS (W x L x H) = 32.125" [81.6] x 29.875" [75.9] x 13.5" [34.3] | |

- NOTES:
1. ALL MEASUREMENTS SHOWN IN INCHES WITH CENTIMETERS SHOWN INSIDE []
 2. MOUNTING LOCATIONS SHOWN CAN BE FOUND ON ALL SIDES AND CORNERS OF THE INSTALLATION BRACKET
 3. INFORMATION PERTAINING TO THE CEILING CAN BE FOUND ON THE THIRD PAGE OF THIS DIAGRAM
 4. COLORS SHOWN IN THIS DIAGRAM ARE FOR CLARITY ONLY, MECHANISM IS GREY POWDER COATED STEEL AND ALUMINUM
 5. FRAMING TO BE DONE BY A LICENSED CONTRACTOR AND ELECTRICAL HOOKUP INSTALLED PER AUTHORIZED BUILDING CODES

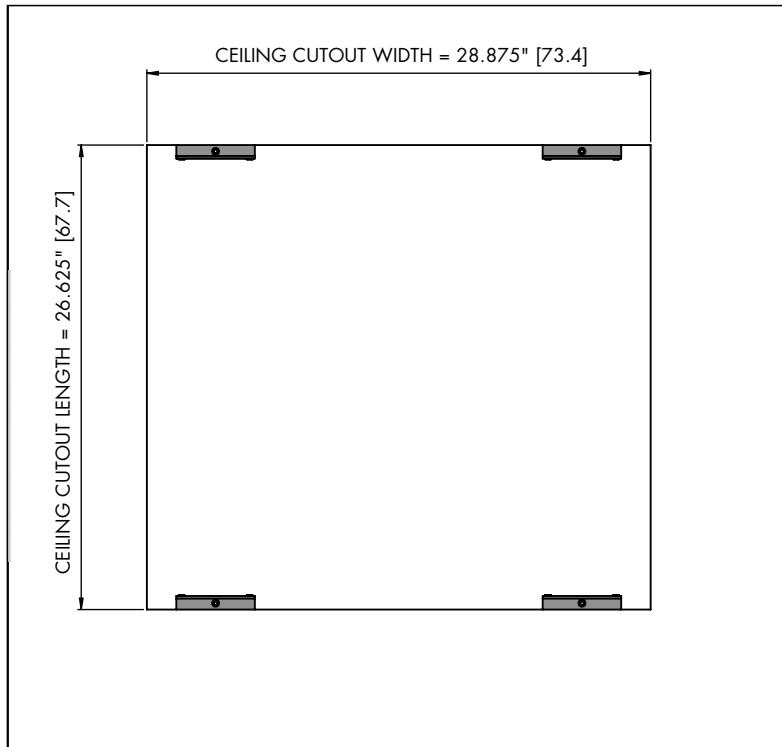
NEXUS₂₁

COPYRIGHT 2018 - ALL RIGHTS RESERVED
 UPDATED 01/26/18

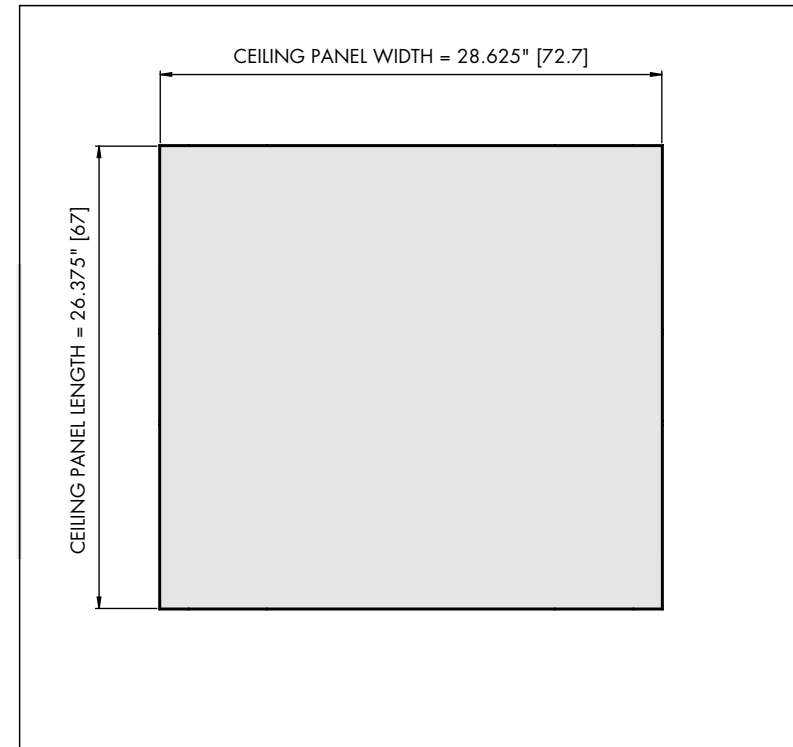
MODEL E-500 DIAGRAM

CEILING CUT-OUT & PANEL DIMENSIONS

VIEW FROM BELOW CEILING



WITHOUT CEILING PANEL
[USE FOR CEILING CUT-OUT DIMENSIONS]



WITHOUT CEILING PANEL
[USE FOR CEILING PANEL DIMENSIONS]

NOTES:

1. ALL MEASUREMENTS SHOWN IN INCHES WITH CENTIMETERS SHOWN INSIDE []
2. DEVIATION FROM CEILING CUTOUT DIMENSIONS WILL PREVENT INSTALLATION OF THE MECHANISM
3. CEILING PANEL ATTACHES TO PROVIDED INTERFACE PLATE
4. INTERFACE PLATE ALLOWS CEILING PANEL TO BE REMOVABLE WITH PUSH TO RELEASE LATCHES
5. WEIGHT OF THE CEILING PANEL CANNOT EXCEED **30 LBS [13.6 kg]**

QUICK REFERENCE DIMENSION GUIDE

CEILING CUT-OUT DIMENSIONS (W x L) = 28.875" [74] x 26.625" [68]
 CEILING PANEL DIMENSIONS (W X L) = 28.625" [73] x 26.375" [67]

NEXUS₂₁

COPYRIGHT 2018 - ALL RIGHTS RESERVED
 UPDATED 01/26/18