

MODEL L-23i

FOR UP TO 32" TV

- Lift Extends 58.4 cm Downwards
- TV Maximum Screen Size: 32"
- TV Maximum Height: 55.9 cm
- Maximum Weight: 34 kg

Compact and quiet, Model L-23i is the perfect choice for lowering small screens and monitors. With slim dimensions and easy adjustability, this lift is used in kitchens, watercraft and luxury vehicles around the world. It includes a wireless remote, wired backup controls and optional smart home integration kit providing limitless flexibility for installation and control.

- Slim Design
- Universal Mounting Patterns
- Near Silent Operation
- Popular for Kitchens, Bars and RVs

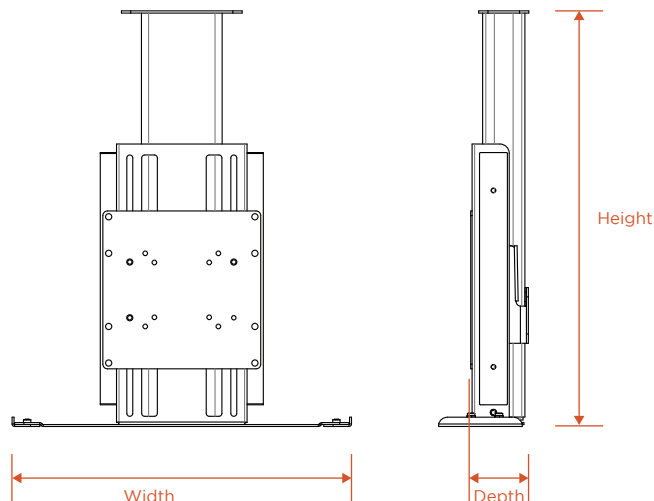


All Nexus products are shipped in custom-made protective packaging, and they include everything you need to mount and operate them. The products are designed for easy assembly and simple instructions with photos are included.

MODEL L-23i

TECHNICAL SPECIFICATIONS

- 34 kg total lift capacity
- TV maximum screen size: 32"
- Travels 58.4 cm
- No exposed tracks, gears or scissors
- Includes VESA standard 200mm x 200mm TV Mount
- Optional TV mount sizes are VESA standard 300mm x 300mm or 400mm x 200mm
- UL recognized
- Draws 3.5 Amps @ 110V and 1.75 Amps @ 220V at max thrust
- Speed 4.3 cm / sec. (only 13 sec. to fully raise)
- Quiet - runs at just 45 dB
- Chain-driven mechanism
- Steel construction
- Your choice of RF remote or Control System Integration Kit (CSI Kit includes IR remote and contact closure interface)
- Exclusive Nexus 21 Safety Package included
- "Soft Start" and "Soft Stop" for smooth ride
- Power is Available in These Formats:
USA, 110V / Europe, 230V / Japan, 100V
Australia, 240V / UK, 230V



Height: 57.2 cm
Width: 46.5 cm
Depth: 7.9 cm from back wall to rear of TV

WHAT'S IN THE BOX

- Motorized lift column (the motorized unit is pre-assembled and ready to use)
- Heavy duty monitor hanger with universal mounting pattern
- Lid plate with finger safety
- Base plate and upper back mounting bracket
- Control box with power cord
- Remote control and receiver (your choice of RF or CSI Kit*)
- Backup control switch
- Cord control wrap
- All hardware for assembly and mounting
- Full assembly instructions with photos



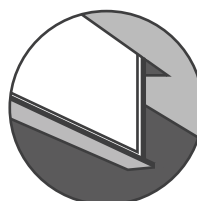
CONTROL OPTIONS

Your choice of RF remote or Control System Integration Kit (CSI Kit*). Wired button pad included with both.



MOUNTING BRACKET FOR CEILING COVER

Attach any type of cover to the lid plate to seamlessly hide the lift within the ceiling or cabinet. Spring loaded lid stabilization hardware included.



*CSI Kit includes IR remote and contact closure interface