

MODEL L-27s



FOR UP TO 48" TV

- Lift Extends 67.3 cm Upwards
- TV Maximum Screen Size: 48"
- TV Maximum Height: 63.5 cm
- Maximum Weight: 59 kg

Model L-27s packs an incredible combination of features into a compact and powerful system. Smooth motion, quiet operation and manual swivel function have made this lift the choice of homeowners and professionals around the world. Popular uses include concealing your TV at the foot of the bed, behind electric fireplaces, and in watercraft and custom coaches.

- Near Silent Operation
- Manual Swivel with Safety Cutoff
- Remote Control Included
- Popular in Kitchen Islands, Foot of Bed and Half-Walls



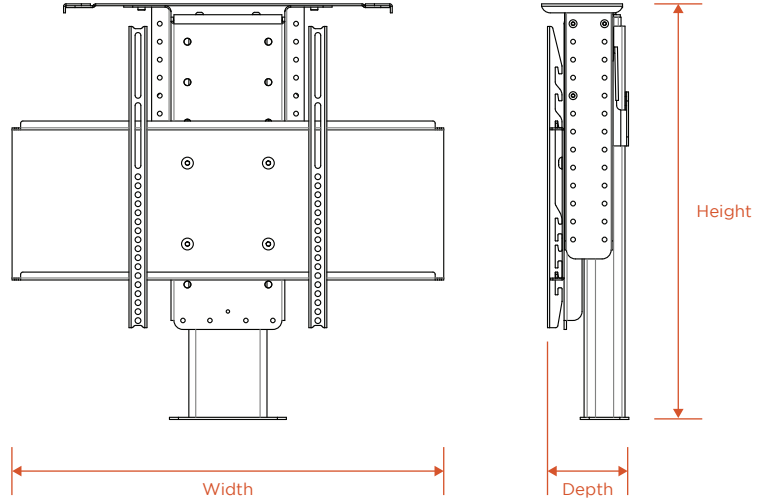
All Nexus products are shipped in custom-made protective packaging, and they include everything you need to mount and operate them. The products are designed for easy assembly and simple instructions with photos are included.

MODEL L-27s



TECHNICAL SPECIFICATIONS

- 59 kg total lift capacity
- TV maximum screen size: 48"
- 360-degree manual swivel mechanism built-in (swivel function is operated manually)
- Travels 67.3 cm
- No exposed tracks, gears or scissors
- UL recognized
- Draws 3.5 Amps @ 110V and 1.75 Amps @ 220V at max thrust
- Speed 4.3 cm / sec. (only 15 sec. to fully raise)
- Quiet - runs at just 45 dB
- Chain-driven mechanism
- Steel construction
- Your choice of RF remote or Control System Integration Kit (CSI Kit includes IR remote and contact closure interface)
- Exclusive Nexus 21 safety features included
- "Soft Start" and "Soft Stop" for smooth ride
- Power is Available in These Formats:
USA, 110V / Europe, 230V / Japan, 100V
Australia, 240V / UK, 230V



Height: 62 cm
Width: 61 cm
Depth: 13 cm

WHAT'S IN THE BOX

- Motorized lift column (the motorized unit is pre-assembled and ready to use)
- Manual swivel mechanism with electronic safety switch
- Heavy duty screen support with universal TV mounting plate
- Height adjustable top supports
- Top plate with adjustable extensions and finger safety
- Upper and lower back mounting brackets
- Control box with power cord
- Remote control and receiver (your choice of RF or CSI Kit*)
- Backup control switch
- Cord control wrap
- All hardware for assembly and mounting
- Full assembly instructions with photos



CONTROL OPTIONS

Your choice of RF remote or Control System Integration Kit (CSI Kit*). Wired button pad included with both.



*CSI Kit includes IR remote and contact closure interface

SWIVEL VERSION

360-degree manual swivel mechanism built-in. Mounting bracket for floating lid with built-in finger safety system included.

