



## MODEL L-45s



### FOR UP TO 65" TV

- Lift Extends 96.5 cm Upwards
- TV Maximum Screen Size: 65"
- TV Maximum Height: 92.7 cm
- Maximum Weight: 45.4 kg

Model L-45s combines flawless reliability with smooth swivel function to give you the perfect entertainment experience. Hide anything from a 40" TV at the foot of your bed to a 65" TV in a living room cabinet, all at the push of a single button.

- Near Silent Operation
- Manual Swivel with Safety Cutoff
- Remote Control Included
- Popular in Living Rooms and Bedroom Applications



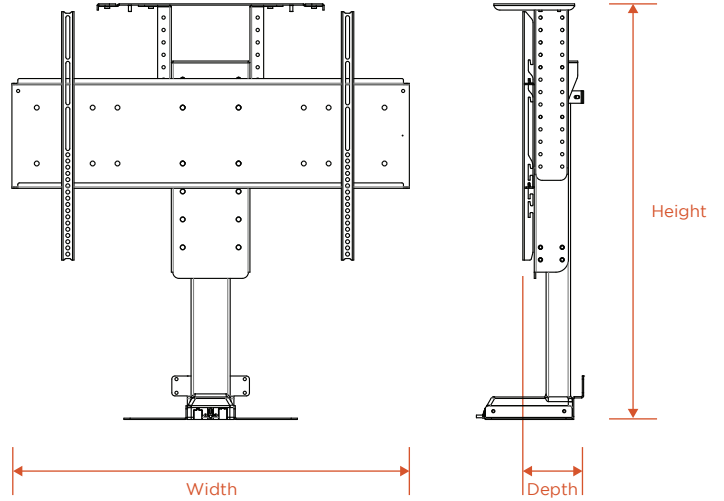
All Nexus products are shipped in custom-made protective packaging, and they include everything you need to mount and operate them. The products are designed for easy assembly and simple instructions with photos are included.

## MODEL L-45s



### TECHNICAL SPECIFICATIONS

- 45.4 kg total lift capacity
- TV maximum screen size: 65"
- 360-degree manual swivel mechanism built-in (swivel function is operated manually)
- Travels 96.5 cm
- No exposed tracks, gears or scissors
- UL recognized
- Draws 3.5 Amps @ 110V and 1.75 Amps @ 220V at max thrust
- Speed 3.8 cm / sec. (only 25 seconds to fully raise)
- Quiet - runs at just 45 dB
- Screw-driven mechanism
- Steel construction
- Your choice of RF remote or Control System Integration Kit (CSI Kit includes IR remote and contact closure interface)
- Exclusive Nexus 21 Safety Package included
- "Soft Start" and "Soft Stop" for smooth ride
- Power is Available in These Formats:  
USA, 110V / Europe, 230V / Japan, 100V  
Australia, 240V / UK, 230V



**Height:** 78.1 cm Min / 98.4 cm Max / Adjustable in 1.3 cm increments  
**Width:** 81.3 cm  
**Depth:** 14.2 cm from back wall to rear of TV

### WHAT'S IN THE BOX

- Motorized lift column (the motorized unit is pre-assembled and ready to use)
- Manual swivel mechanism with electronic safety switch
- Heavy duty screen support with universal TV mounting plate
- Height adjustable top supports
- Top plate with adjustable extensions and finger safety
- Upper and lower back mounting brackets
- Control box with power cord
- Remote control and receiver (your choice of RF or CSI Kit\*)
- Backup control switch
- Cord control wrap
- All hardware for assembly and mounting
- Full assembly instructions with photos



### CONTROL OPTIONS

Your choice of RF remote or Control System Integration Kit (CSI Kit\*). Wired button pad included with both.



\*CSI Kit includes IR remote and contact closure interface

### SWIVEL VERSION

360-degree manual swivel mechanism built-in. Mounting bracket for floating lid with built-in finger safety system included.

