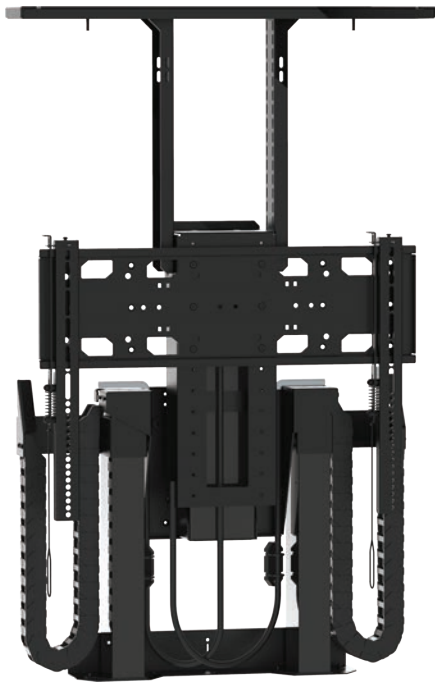


# MODEL L-85s

## POP-UP SWIVEL TV LIFT

For Up to 86" TV



Lift Extends	_____	52" [132.1 cm] Upwards
TV Maximum Screen Size	_____	86"
Maximum Weight	_____	175 lbs [79.4 kg]

Model L-85 combines multiple telescoping lift columns into one seamless mechanism, providing unrivaled speed and extended travel. Accommodating screens up to 86", this lift is popular in living-room or outdoor cabinets, or wherever a large screen is needed. It also features a 360-degree manual-swivel function, allowing you to face the screen anywhere in the room.

- Near-silent operation
- Quick travel (18-30 secs depending on weight load)
- 10-year warranty
- World-class customer support
- Fast lead times



All Nexus products are shipped in custom-made protective packaging, and they include everything you need to mount and operate them. The products are designed for easy assembly, and simple instructions with photos are included.

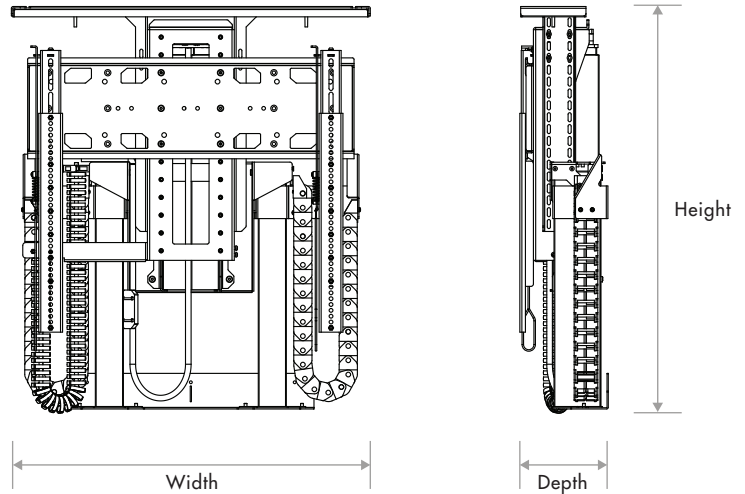
# MODEL L-85s

## TECHNICAL SPECIFICATIONS

- 175 lbs [79.4 kg] total lift capacity
- TV maximum screen size: 86"
- 360-degree manual swivel mechanism built-in (swivel function is operated manually)
- Travels 52" [132.1 cm]
- No exposed tracks, gears or scissors
- UL recognized components
- Draws 3.5 Amps @ 110V and 1.75 Amps @ 220V at max thrust
- Speed: 18-30 seconds depending on weight load
- Quiet - runs at just 50 dB
- Screw-driven mechanism
- Steel construction
- Choice of RF remote, Control System Integration Kit (includes IR remote and contact closure interface), or IP control device
- Exclusive Nexus 21 Safety Package included
- "Soft Start" and "Soft Stop" for smooth ride
- Power is available in these formats: USA, 110V / Europe, 230V / Japan, 100V / Australia, 240V / UK, 230V

## WHAT'S IN THE BOX

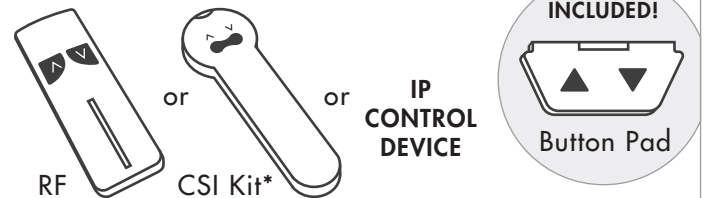
- Motorized lift columns (the motorized units are pre-assembled and ready to use)
- Manual swivel mechanism with electronic safety switch
- Heavy duty screen support with universal TV mounting plate
- Height adjustable top supports
- Top plate with adjustable extensions and finger safety
- Upper and lower rear mounting brackets
- Control box with power cord
- Motorized lift column motor cables
- Remote control and receiver (your choice of RF, CSI Kit\*, or IP control device)
- Backup control switch
- Cable management track and cord control brackets
- All hardware for assembly and mounting
- Full assembly instructions with photos



Height: 33.5" [85.1 cm] Min / 48" [121.9 cm] Max  
Width: 27.5" [69.9 cm]  
Depth: 7.5" [19.1 cm] from back wall to rear of TV

## CONTROL OPTIONS

Choice of RF remote, CSI Kit\*, or IP control device.  
Wired button pad included with all.



\*CSI Kit (Control System Integration) includes IR remote and contact closure interface

## SWIVEL VERSION

360-degree manual swivel mechanism built-in.  
Mounting bracket for floating lid with built-in finger safety system included.

