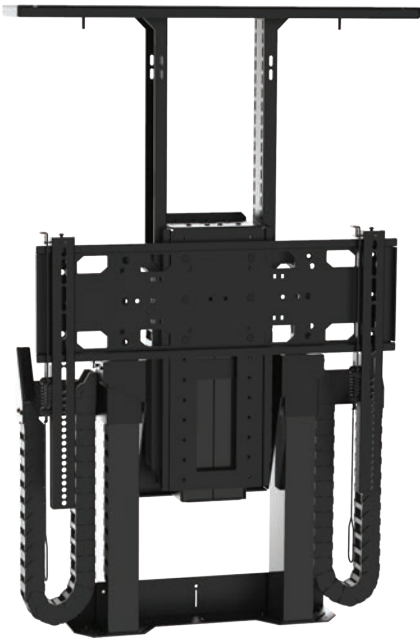


MODEL L-85



POP-UP TV LIFT

For Up to 86" TV

Lift Extends	_____	52" [132.1 cm] Upwards
TV Maximum Screen Size	_____	86"
Maximum Weight	_____	175 lbs [79.4 kg]

Model L-85 combines multiple telescoping lift columns into one seamless mechanism, providing unrivaled speed and extended travel. Accommodating screens up to 86", this lift is popular in living-room or outdoor cabinets, or wherever a large screen is needed.

- Near-silent operation
- Quick travel (18-30 secs depending on weight load)
- 10-year warranty
- World-class customer support
- Fast lead times

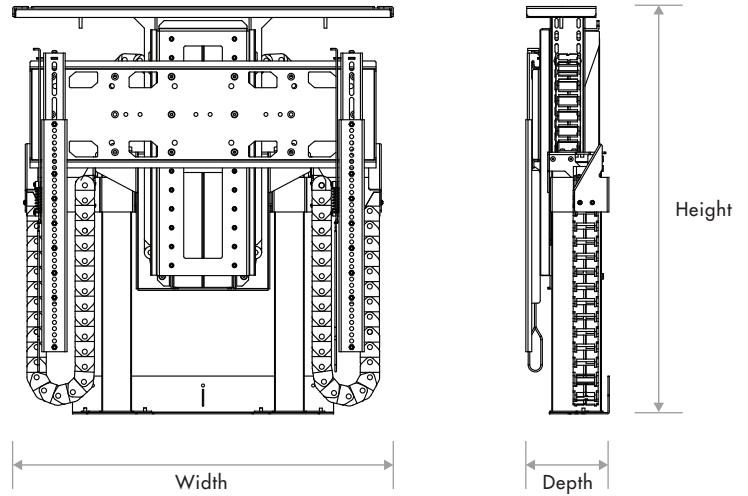


All Nexus products are shipped in custom-made protective packaging, and they include everything you need to mount and operate them. The products are designed for easy assembly, and simple instructions with photos are included.

MODEL L-85

TECHNICAL SPECIFICATIONS

- 175 lbs [79.4 kg] total lift capacity
- TV maximum screen size: 86"
- Travels 52" [132.1 cm]
- No exposed tracks, gears or scissors
- UL recognized components
- Draws 3.5 Amps @ 110V and 1.75 Amps @ 220V at max thrust
- Speed: 18-30 seconds depending on weight load
- Quiet - runs at just 50 dB
- Screw-driven mechanism
- Steel construction
- Choice of RF remote, Control System Integration Kit (includes IR remote and contact closure interface), or IP control device
- Exclusive Nexus 21 Safety Package included
- "Soft Start" and "Soft Stop" for smooth ride
- Power is available in these formats: USA, 110V / Europe, 230V / Japan, 100V / Australia, 240V / UK, 230V



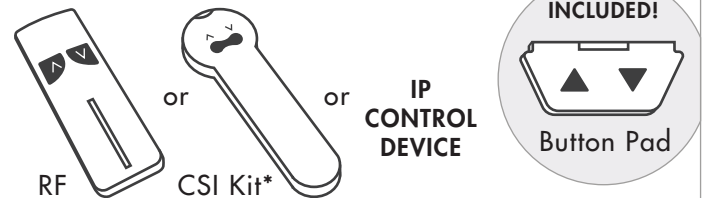
Height: 32" [81.3 cm] Min / 46.5" [118.1 cm] Max
Width: 27.5" [69.9 cm]
Depth: 6.625" [16.8 cm] from back wall to rear of TV

WHAT'S IN THE BOX

- Motorized lift columns (the motorized units are pre-assembled and ready to use)
- Heavy duty screen support with universal TV mounting plate
- Height adjustable top supports
- Top plate with adjustable extensions and finger safety
- Upper and lower rear mounting brackets
- Control box with power cord
- Motorized lift column motor cables
- Remote control and receiver (your choice of RF, CSI Kit*, or IP control device)
- Backup control switch
- Cable management tracks
- All hardware for assembly and mounting
- Full assembly instructions with photos

CONTROL OPTIONS

Choice of RF remote, CSI Kit*, or IP control device. Wired button pad included with all.



*CSI Kit (Control System Integration) includes IR remote and contact closure interface

COMPATIBLE LID STYLES

Mounting bracket for floating lid included (our standard option), or purchase guides for a hinged lid. Built-in finger safety system included.

