

nexus²¹

CONCEALMENT SYSTEMS

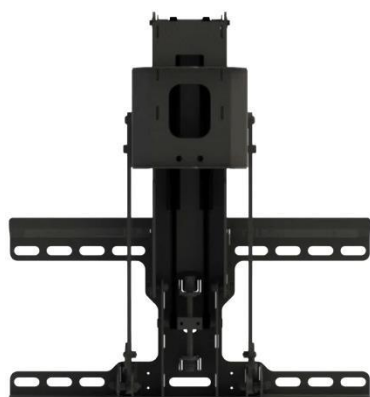
Transcend Surface Mount Installation Instructions



Below is a parts list describing all of the items included with the Transcend Surface Mount.

Before beginning assembly and installation, please make sure that you have all items included on the list. If any parts are missing or damaged, please contact Nexus 21. Our contact information is shown at the top of this page.

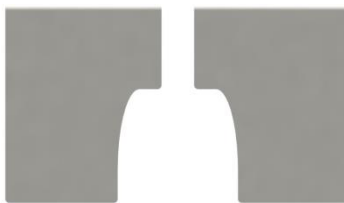
Parts List



Transcend Surface Mount



Screen Back Plate



Vanity Plates



Vertical Mounting Bars

Contents of hardware pack that is labeled "Transcend Hardware"

- 4 3/8 inch by 3 inch long lag screw with washer
- 4 Zip Ties
- 2 Adhesive Rubber Bumpers (Stick these to the mount to help protect the Shelf)
- 1 1/2 inch Open-Ended Wrench (For attaching Swiveling Hook Plate)
- 4 Lag Screw Cover
- 4 Washer for Lag Screw Cover
- 1 5/16 inch diameter x 7 inch Hex Head Machine Screw (Swivel Pivot Bolt)
- 1 5/16 inch Nylock Nut (Swivel Pivot Nut)
- 2 5/16 inch Washers

Assorted TV Mounting Hardware Pack

- 4 M6 x 20 mm (.78in) long Phillips head machine screw
- 4 M6 x 35 mm (1.38in) long Phillips head machine screw
- 4 M8 x 20 mm (.78in) long Phillips head machine screw
- 4 M8 x 35 mm (1.38in) long Phillips head machine screw
- 8 1/4 inch tall plastic spacers
- 4 1/8 inch tall plastic spacers
- 4 Steel M6 washers

----- END OF PARTS LIST -----



SAFETY INFORMATION



SEVERE PERSONAL INJURY AND PROPERTY DAMAGE CAN RESULT FROM IMPROPER INSTALLATION OR ASSEMBLY. READ THE FOLLOWING WARNINGS BEFORE BEGINNING:

Each installation will vary and as such, these directions cannot account for every situation. Failure to read the safety information prior to installation may result in Damage, Injury, or Death. Nexus 21 is not responsible for any damage, injury, or death resulting from improper mounting or use of the Transcend Surface Mount.

These instructions are to be used as a guide and the consumer is responsible for correctly installing and securing the mount. The person installing the mount should be experienced with mounting load bearing assemblies. For any questions or concerns, please contact Nexus 21 at Info@nexus.com

CAUTION: These wall mounting instructions and hardware are for mounting to wood studs only. It is up to you to verify that the material supplied will work for your setup; other materials may need to be purchased by you. For concrete, brick or other mounting materials consult an expert.

Consult your TV's owner manual before mounting your television, it contains relevant information.

WARNINGS:

1. Do not use this product for any application other than those specified by Nexus 21.
2. Do not exceed the weight capacity. This can result in serious personal injury or damage to the equipment. It is the installer's responsibility to ensure that the total combined weight of all attached components does not exceed that of the maximum figure stated.
3. Follow all technical specifications and instructions during the installation.
4. Only use attachments/accessories specified by the manufacturer.
5. Close supervision is necessary when this system is being used by, or near, children, or disabled persons.
6. It is the responsibility of the installer to warn all potential users of the dangers of interfering with the mechanism during operation.
7. Read all technical instructions fully before installation and use. It is the installer's responsibility to ensure that all documentation is passed on the users and read fully before operation.
8. Failure to provide adequate structural strengthening, prior to installation can result in serious personal injury or damage to the equipment. It is the installer's responsibility to ensure the structure to which the mount is affixed can support four times the weight of the system.
9. Keep all documentation.
10. Heed all warnings.
11. Refer all service questions to Nexus 21 if the system does not operate normally.

Nexus 21 disclaims any liability for modifications, improper installations, or installations over the specified weight range. Nexus 21 will not be liable for any damages arising out of the use of, or inability to use, Nexus 21 products. Nexus 21 bears no responsibility for incidental or consequential damages. This includes, but is not limited to, any labor charges for the servicing of Nexus 21 products performed by anyone other than Nexus 21.

Nexus 21 intends to make this and all documentation as accurate as possible. However, Nexus 21 makes no claim that the information contained herein covers all details, conditions or variations, nor does it provide for every possible contingency in connection with the installation or use of this product. The information contained in this document is subject to change without prior notice or obligation of any kind. Nexus 21 makes no representation of warranty, expressed or implied, regarding the information contained herein. Nexus 21 assumes no responsibility for accuracy, completeness or sufficiency of the information contained in this document.

Assembly and Mounting – Things to Think About First

SAFETY NOTICE:

- For proper support, the Transcend Surface Mount **MUST** be attached to a load bearing material. This applies to all mounting point on the unit.
- The Transcend Surface Mount is **ONLY** designed and rated for **VERTICAL, NON-INVERTED USE. DO NOT INSTALL THIS MOUNT UPSIDE DOWN, SIDEWAYS or HORIZONTALLY.**

The Transcend Surface Mount is designed for use with flat panel or curved televisions. Do not use the Transcend Surface Mount with anything else. The center of gravity of the flat panel or curved television should not be any more than 4 inches off of the front of the Vertical Mounting Bars.

SAFETY NOTICE: Potential Heat Damage

Nexus 21 takes no responsibility for damage caused from the fireplace or other heating sources to the television, mount, or other accessories. Damage could be done when the mount is down, out, or even up. It is up to the consumer to take the proper precautions to avoid damage. Electrical equipment can overheat easier than expected. Nexus 21 recommends against having fires in the fireplace whenever there is electrical equipment around.

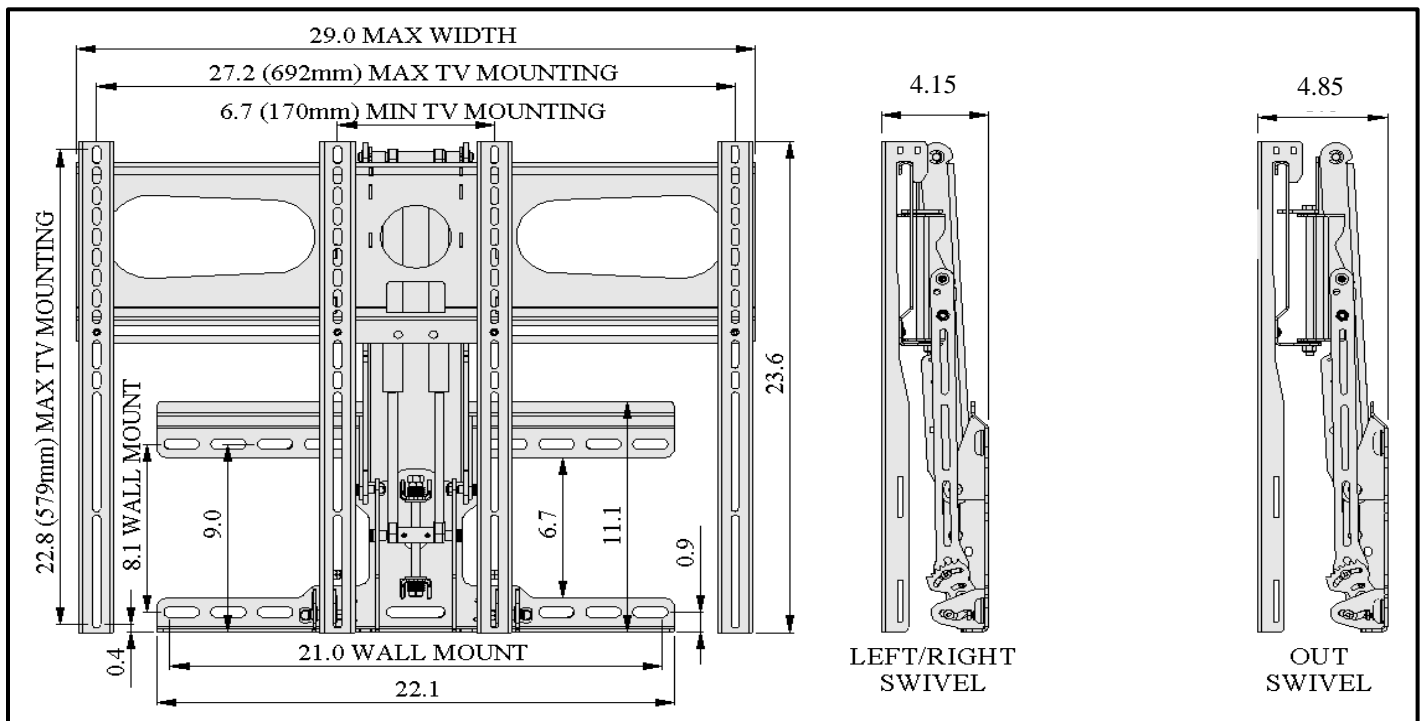
Important Note: Do NOT move more than half of your TV below a mantel located above a fireplace. When mounting the Transcend Surface over a fireplace with a mantel, do NOT install the Mount such that more than half of your TV can be moved below the mantel.

Transcend Surface Mount Specifications:

- Fits most Flat and Curved Televisions 40" to 75" and larger depending on weight.
- **Note for smaller televisions;** the mount may be wider or taller than the television. If this is the case then the mount may be visible in the top position. See page 5.
- Handles televisions 20 to 125 lbs.
- Fits VESA patterns: 7.1in (180mm) to 27.2in (692mm) wide, up to 22.8in (579mm) high. Works with all VESA patterns in that range.
- Product Weight: 28 pounds
- Tilt ranges from Vertical to 7 degrees in upright position and can be tuned from Vertical to +/- 1 degree in bottom position.

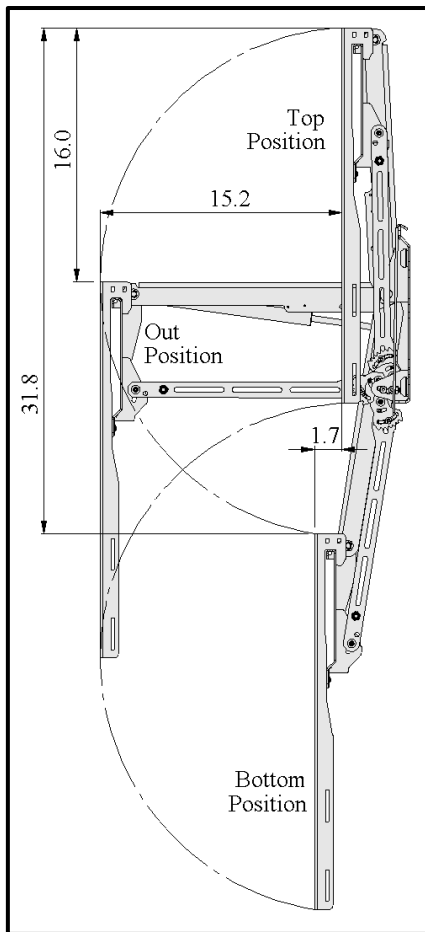
FAQ

- **Where do I mount over a shelf?** See the Above Shelf Mounting section on page 11.
- **Mount is really hard to move/actuate.** See the Adjusting the Counterbalance section on page 12.
- **Mount makes noise when moving up and down.** See the Counterbalance Noise section on page 12.
- **The TV tilts down in the top position.** See the Setting the Tilt in the Top Position section on page 14.
- **The TV isn't level in all positions.** When attaching to the wall, level off of the Back Plate Edge, NOT the plate that attaches to the wall, see page 9.
- **The TV isn't level in the out and bottom positions.** The TV's Center of Gravity needs to be centered on the mount, if the stud spacing isn't allowing this to happen the [Extra Wall Support](#) (sold separately) can be purchased to extend the mounts reach.

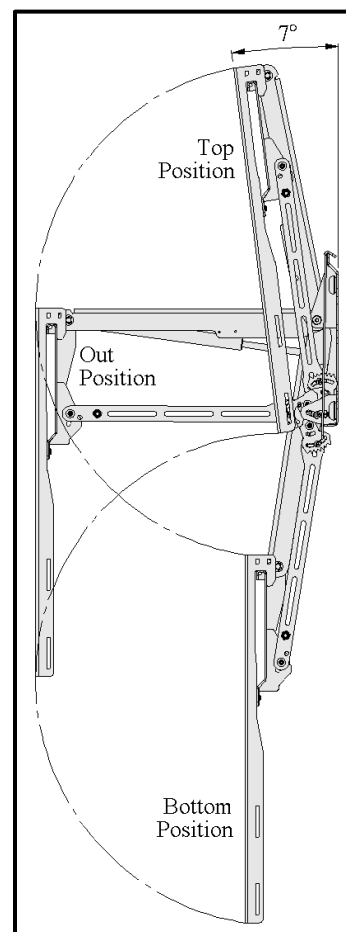


Mount Overall Size, Television Mounting Hole Pattern Range, Wall Mounting Hole Pattern Range

Note: Mount Only Comes with 2 Vertical Mounting Bars, Not the 4 Shown



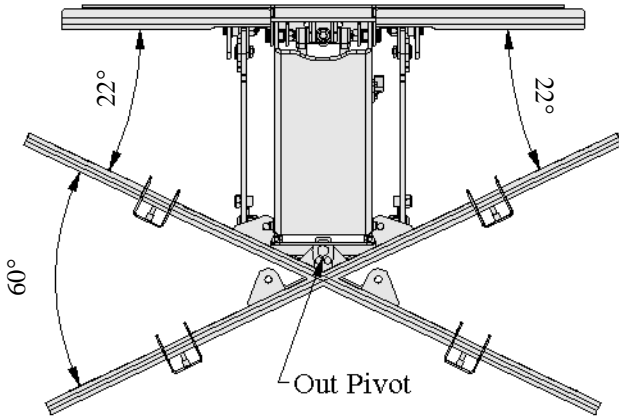
Vertical in Top Position



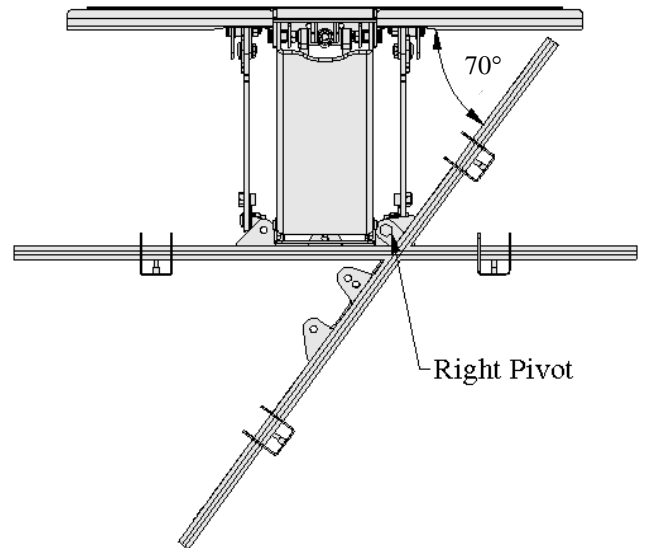
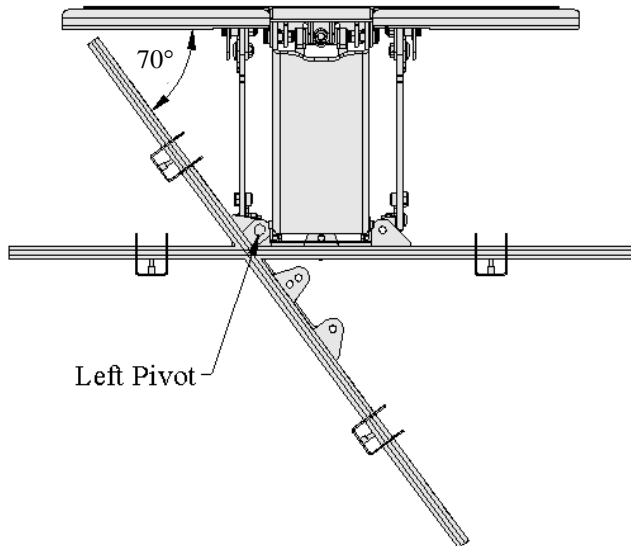
Max Tilt in Top Position

Deciding the Swivel Setting

Before attaching the Screen Back Plate determine the swivel setting you will use. There are 3 different swivel settings which are shown in Figures below.



The Out Pivot gives you a lot of travel in each direction but has the thickest profile (See figure above for profile thicknesses).



The Left and Right Pivots are the lowest profile and can swing the farthest either to the right or the left, but not both.

Figure 1, Maximum Travel of the 3 different Swivel Settings

Attaching Screen Back Plate to Mount

The Screen Back Plate needs to be attached to the Mount before anything else can be done. Once you have decided which swivel setting would be the best for you, find the corresponding Swivel Holes as shown in Figure 2. Once you know the holes that you will use slide the Swivel Pivot Bolt through the holes and washers from the top as shown in Figure 3. Do it from the top so that even if the nut comes off, the Bolt cannot slide out because of gravity.

Some holes may be tight, if so gently hammer the bolt through. Tighten the Swivel Pivot Nut down with a 1/2" wrench until all the parts are compressed together and the Screen Back Plate takes a little effort to turn, you can adjust this effort after the TV is mounted on the wall. Use the 1/2 inch Open-Ended Wrench, which came with the mount, to hold the head of the Swivel Pivot Bolt while tightening.

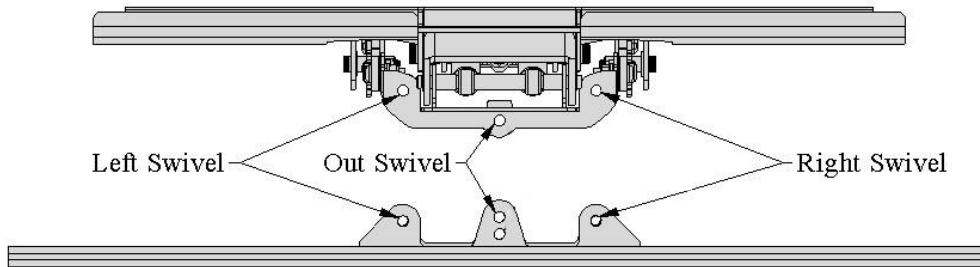


Figure 2 Swivel Holes (Top View of Mount)

Adjusting the Swivel Tension

After everything is mounted to the wall; the TV is hung on the mount; and the counterbalance and tilt are set, the amount of effort it takes to swivel the TV may need to be adjusted. You do this by tightening or loosening the Swivel Pivot Nut on the Swivel Pivot Bolt. Access is easiest when the mount is in an out position. Do NOT over-tighten; if it takes a lot of force to turn the nut then the pivot is as tight as it can be, if you tighten more you will start to bend the mount. For all swivel settings, if the TV doesn't stay in the wanted swivel position, even after the pivot is tightened, the mount may be tilted too much, adjust tilt nearer to vertical.

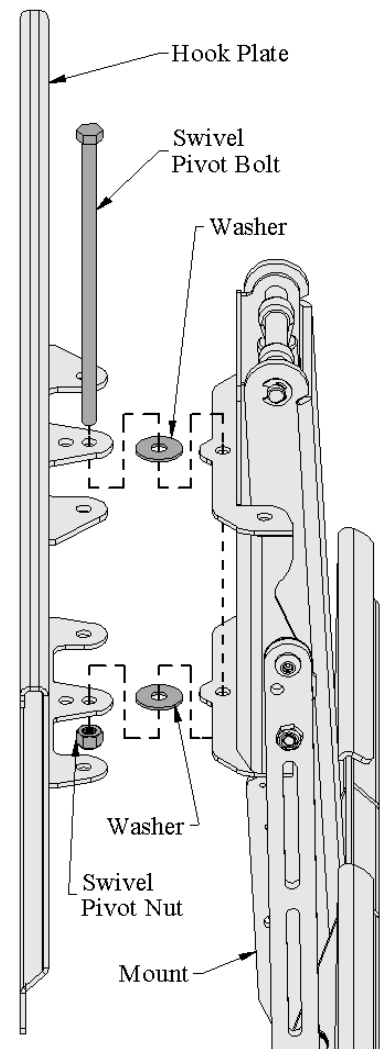


Figure 3 Swivel Bolt (Side View of Mount)

Determining Where to Put Mount

1. Extra thought and planning is needed when mounting over a shelf; see the Above Shelf Mounting section on page 11 for more details and relevant dimensions. Find the needed distances [H] and [C] for your shelf depth [D].
2. To find out how the mount relates to the television you should do a test fitting on the ground.
3. If attaching a speaker lay that out also with the speaker bracket.
4. Figure 4 shows the important things to look for and measure.
5. If mounting over a shelf, make sure the [H] and [C] minimum distances are satisfied.

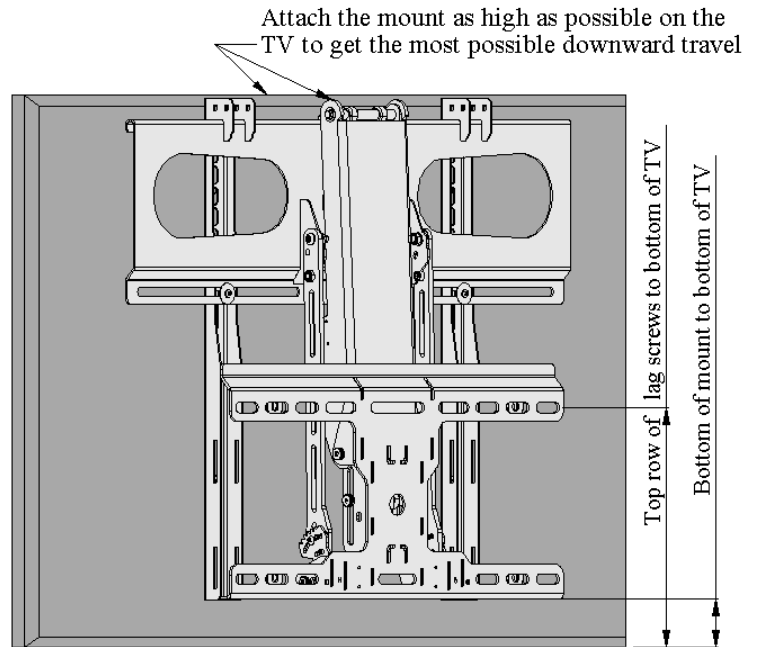


Figure 4, Mount Test Fitting

Attaching Vertical Mounting Bars to Television

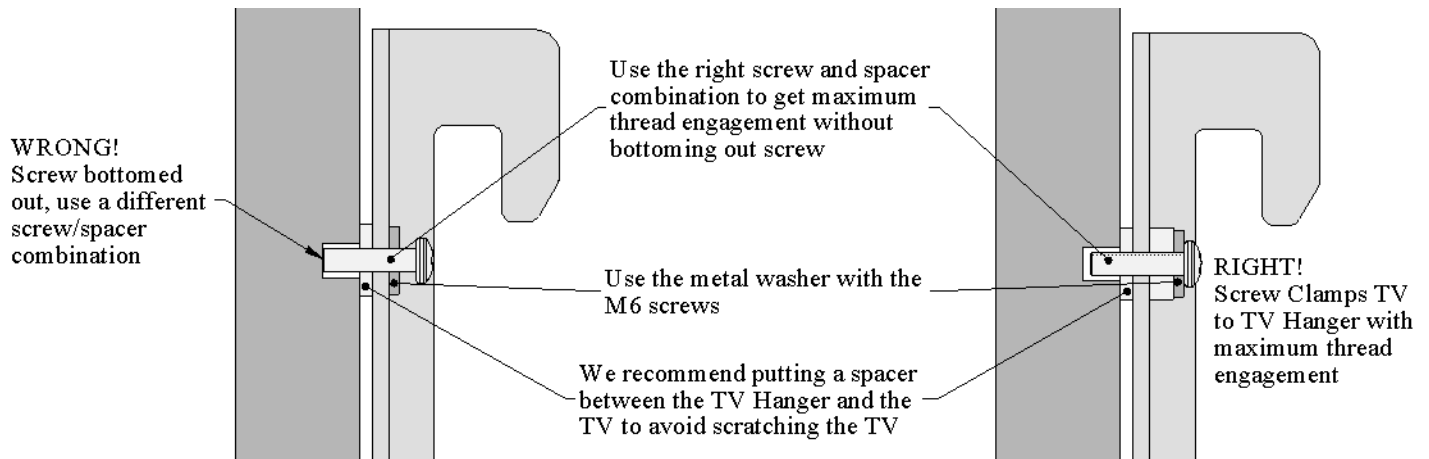


Figure 5, Attaching Vertical Mounting Bars to TV

Conditions for Mounting to Wall

1. The mount is designed to attach to standard 2 x 4 or larger wall studs. If the wall isn't sturdy enough then more support will need to be added, consult an expert.
2. The mount must be securely fastened to a structure that can support 4 times the total weight of the television and mount. Nexus 21 assumes no responsibility for damage from an improperly installed mount.
3. The mounting holes need to be in the center of the studs, use a stud finder as needed.
4. 2 lag screws are needed in the top slots of the mount and 2 in the bottom slots.
5. 2 lag screws need to be on each side of the of the center of the mount and the center of gravity of the television

Important: The TV needs to be centered on the mount to avoid leaning

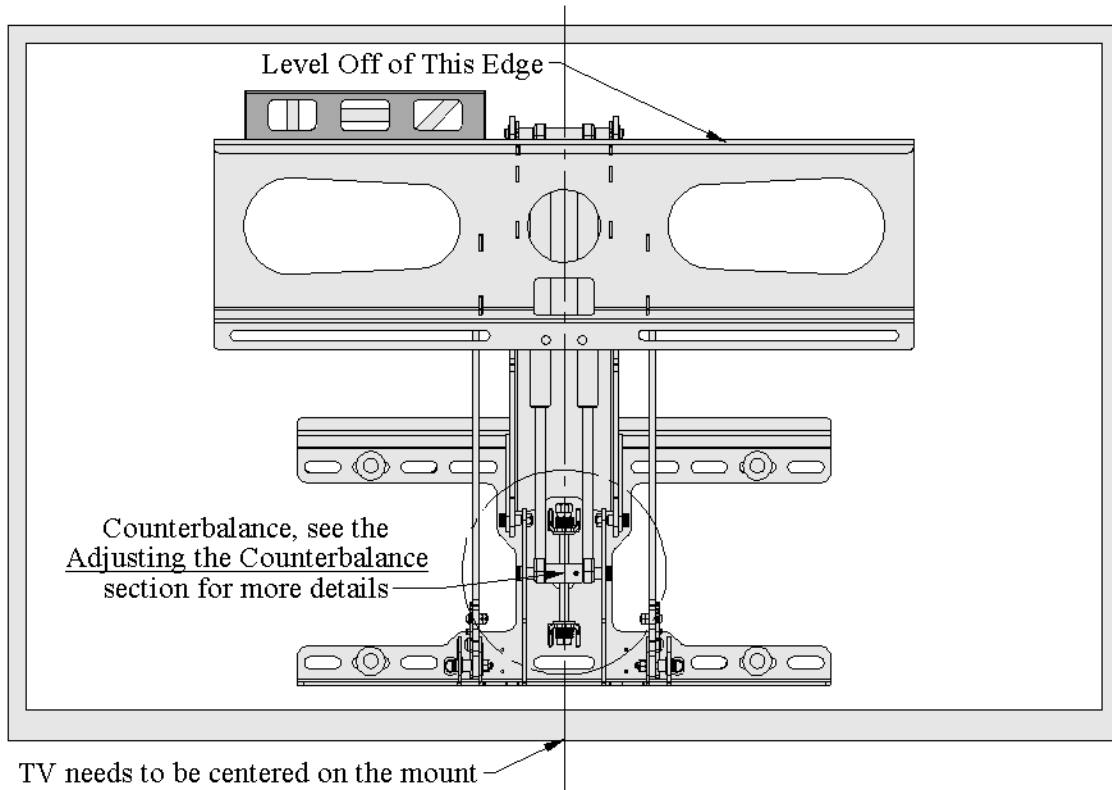


Figure 6, Positioning Mount on the Wall

Mounting To Wall

1. The television should be centered on the mount, if not the television will sag to one side. The heavier the TV and the more off center, the more unlevel the TV will be through its range of motion. If your stud placement doesn't allow for the TV to be centered, the [Extra Wall Support](#) (sold separately) will give more side to side adjustment.
2. Use the mount as a template ([Wall Mount Template](#) which is available by request) mark the locations of the mounting holes.
3. Once you know your location, pre-drill 1 of the top row of mounting holes 2.5in deep using the 1/4in drill bit.
4. Get someone to help hold the mount to the wall.
5. Figure 7 shows the correct order to put on the lag screw.
6. Use a 9/16in wrench to install the lag screw; do not tighten all of the way down yet.
7. Level the mount as shown in Figure 6.
8. Mark and drill the other 3 holes 2.5in deep.
9. Install the lag screws and tighten until the mount is firmly pressed against the wall. Do not over tighten.

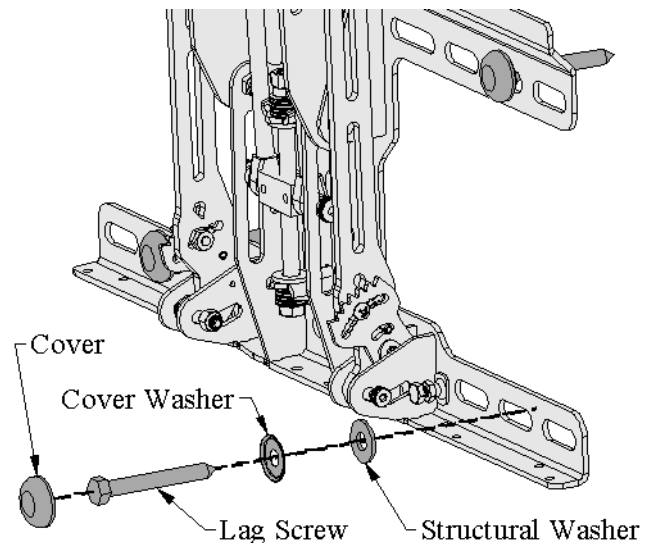


Figure 7, Lag Bolt and Washer Order

Attaching the Television to the Mount

After the previous steps are finished you are ready to put the television on the mount.

1. Adjust the counterbalance to the approximate force to handle the weight of your television. See the Adjusting the Counterbalance section on page 12 for more details. If in doubt, error to the counterbalance supplying too much force. You can easily adjust force later.
2. We recommend having someone help putting the TV on the mount.
3. Hook the Vertical Mounting Bars (with the TV attached to them) over the Screen Back Plate as shown in Figure 8.
4. Before positioning the television side to side, insert the 2 #10 x 7/8 inch long machine screws with washer through the Hook Plate and into the Vertical Mounting Bars, finger tight to ensure the television will not fall off.
5. Adjust the television so that it is centered on the mount.
6. Tighten the screws down with a screwdriver.
7. Adjust the counterbalance so that the television can be moved around as easily as possible but still be able to stay in the desired bottom position. See the Adjusting the Counterbalance section on page 12.

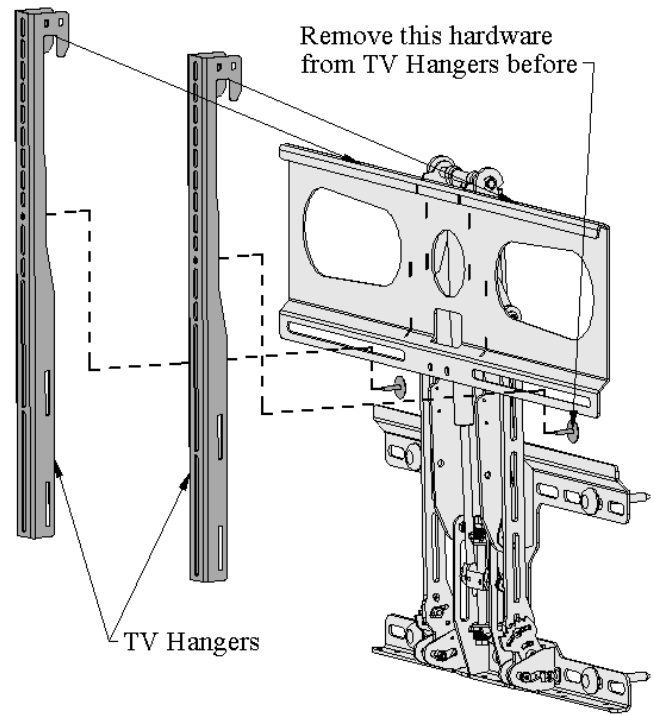


Figure 8, Attaching the Television

Warning! Do Not Let Go of the TV Until the Motion has stopped on its Own.

Positions Mount Will Stay At

The Transcend Surface Mount has a range of positions the mount will hold the TV at. The general range is shown in Figure 9. The mount can always stay in the top position.

From the top position down 12 inches the mount can be set to stay but the angle may not be vertical and the TV will not have a wide range of positions to stay at. The Mount really isn't designed to hold the TV in this range.

From 12 inches to all of the way down the mount can be set to stay in a wide range of positions. Depending on the weight of your TV the range will vary. For lighter TVs (60 lbs and under) the mount may stay in the entire bottom range. For Heavier TVs (80 lbs and over) the mount may only have a range of about 8 inches.

Moving the Television Up and Down

If the counterbalance is set up correctly the TV should be able to be lifted all of the way up into the top/locked position with reasonable effort. To unlock from this position pull out on the bottom of the television. To get the television all the way to the bottom position you may need to push down on the television. If the TV pops back up from the desired bottom position, reduce the counterbalance force. Typically, the force to lift the TV all of the way up is approximately 20-30% of the weight of TV.

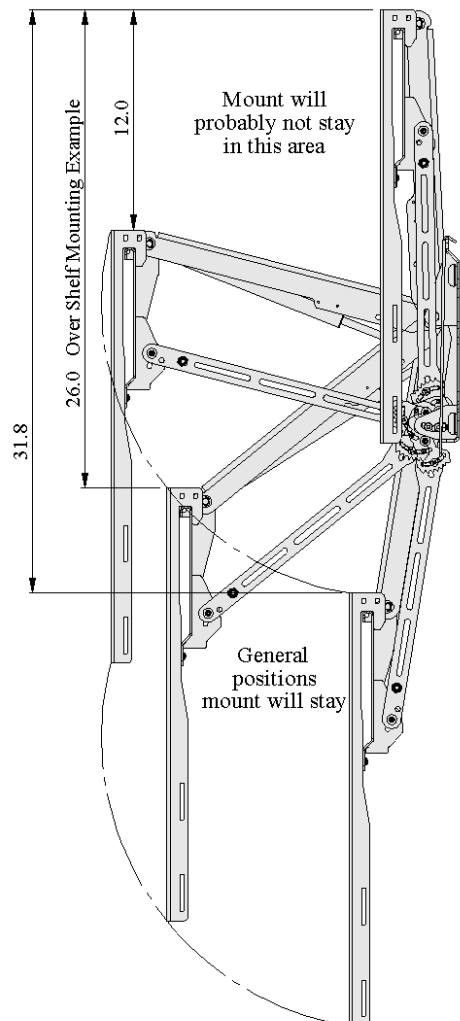


Figure 9, Positions Mount Will Stay At

Above Shelf Mounting

To get as much downward travel as possible when mounting above a shelf it is very important that you put extra thought into the mounting process. In general, the higher the Transcend Surface Mount is above the shelf the more downward travel you will get. Also, the lower the television is attached on the mount, the higher the Transcend Surface Mount can be mounted to the wall.

The tables below can be used to calculate how much downward travel you will get with different shelf depths and heights above the shelf. The Mount can clear shelves up to 16 inches deep.

For example, to find the downward travel [T] when you have a 12 inch shelf depth [D] and you attach the bottom of the mount 9.5 inches above the shelf [H]. First find the corresponding [D] and look down the column and find the closest [H], which in this case is 9. Now go left along the row and find the corresponding Travel [T]. In this case you will get a downward travel of approximately 26 inches.

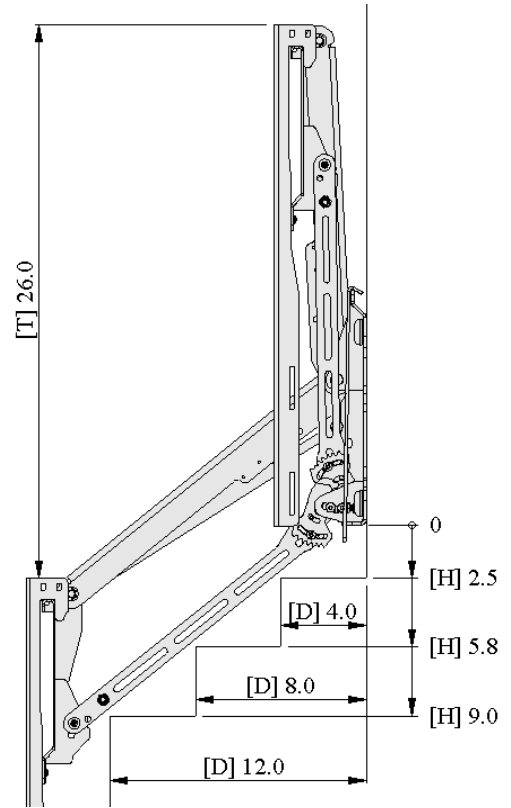


Figure 10, Shelf Clearance Drawing

TV Clearance Table

The TV Clearance Table shows the minimum clearance [C] needed between the shelf top and the bottom of the TV (or the bottom of an attached speaker, whichever is lower). To find the clearance needed, find the shelf depth [D], in this example 12 inches, and go down the column and find the corresponding height, which is 3.75 inches.

TRANSCEND SURFACE MOUNT CLEARANCE TABLE (CLEARANCE BETWEEN MOUNT AND SHELF)																		
DOWNWARD TRAVEL	SHELF DEPTH																	
	0	1	2	3	4	5	6	7	8	9	10	11	12	13	14	15	16	
	32	0	5	12	18	-	-	-	-	-	-	-	-	-	-	-	-	-
	30	0	0	2.25	4	5.75	7.75	9.5	11.25	14.75	15.5	-	-	-	-	-	-	-
	28	0	0	1.25	2.5	3.5	4.75	5.75	7	8.25	9.25	10.5	12.5	13.75	-	-	-	-
	26	0	0	1	1.75	2.5	3.25	4	5	5.75	6.5	7.25	8	9	11	11.75	-	-
	24	0	0	0.75	1.25	1.75	2.5	3	3.5	4	4.75	5.25	5.75	6.5	7	7.5	9.5	10
	22	0	0	0.25	0.75	1.25	1.75	2	2.5	3	3.25	3.75	4	4.5	5	5.25	5.75	7.5
	20	0	0	0.25	0.5	0.75	1	1.25	1.5	1.75	2	2.25	2.75	3	3.25	3.5	3.75	4.5
	18	0	0	0	0.25	0.5	0.5	0.75	0.75	1	1	1.25	1.25	1.5	1.5	1.75	1.75	2
16	0	0	0	0	0	0	0	0	0	0	0	0	0	0	0	0	0	
CLEARANCE BETWEEN MOUNT AND SHELF (UNBOLDDED)																		
TV Clearance Table (Or soundbar clearance table)																		
SHELF DEPTH																		
0	1	2	3	4	5	6	7	8	9	10	11	12	13	14	15	16	17	
0	1	1.25	1.5	1.75	1.75	2	2.25	2.5	2.75	3	3.25	3.75	4.25	5	5.75	6.75	-	
Minimum Clearance Needed																		

Adjusting the Counterbalance

The counterbalance comes out of the box set for maximum force and will need to be adjusted for the mount to work properly with your television. To adjust the counterbalance, turn the bottom of the counterbalance screw with a 9/16 inch box or ratcheting wrench, see Figure 11. This moves the Counterbalance Block up and down. The approximate counterbalance block settings for various television weights are shown in Figure 12. In Figure 12 the counterbalance is approximately set for a 65 Pound Television.

Before the Counterbalance block will move, the Spring Washers at the TOP (Figure 12) needs to be compressed by turning the screw. This means there will be a few turns where it may seem like nothing is happening. Just keep on turning the bottom of the screw as shown in Figure 11, it should get harder to turn when you start compressing the gas springs. If the Spring Washers on the BOTTOM are compressing then you are turning the wrong way.

The Mount comes out of the box set at the Maximum Counterbalance Force. To be able to move the mount without a TV on it, you need to move the Counterbalance Block to the Minimum Counterbalance Force. At this setting it will still take 15 to 20 pounds of effort to move the mount which is harder than you think. You should secure it to something to get the mount to move. Once you put a TV on the mount, everything will work much better.

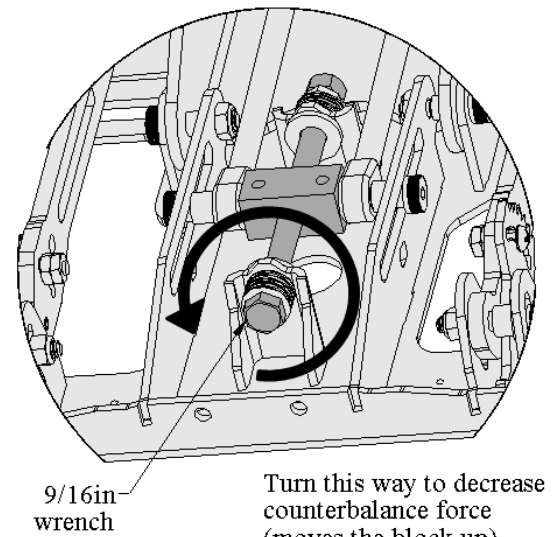


Figure 11, Adjusting Counterbalance

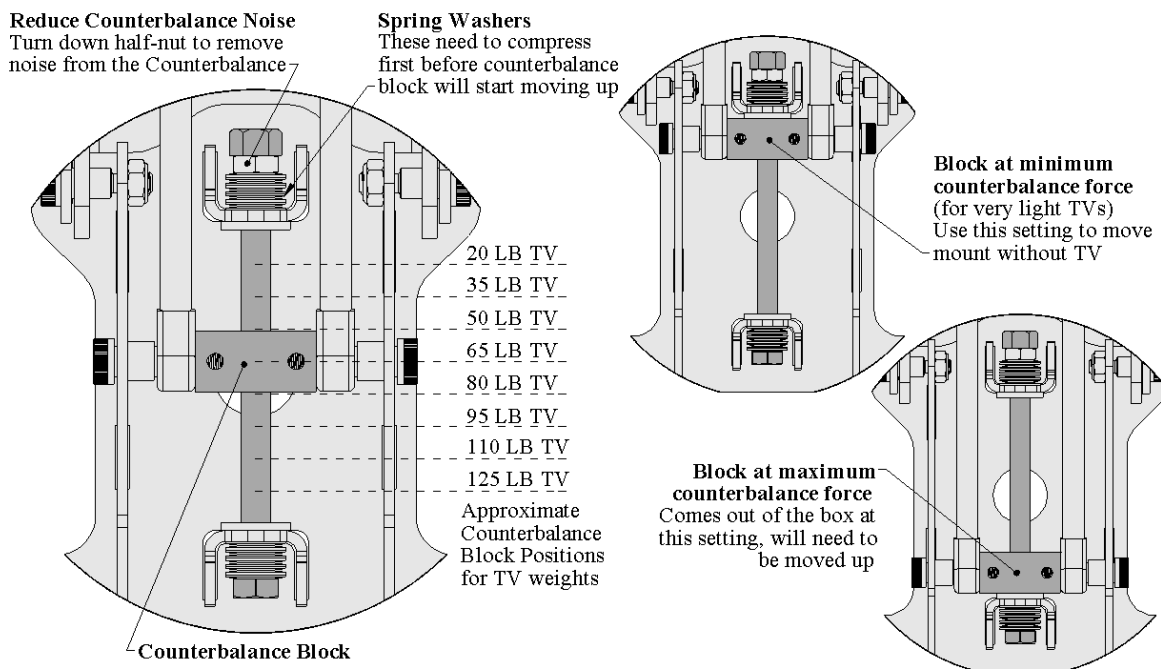


Figure 12, Counterbalance Settings
Detail from Figure 6.

Counterbalance Noise

Some noise from the counterbalance is expected. This is a design that makes moving the TV up and down a little easier by allowing the counterbalance to float. To get rid of the noise you can try lubricating the joints that are rubbing, this may or may not help. The noise is not causing damage to the mount. To get rid of the noise for sure, you can turn the half nut that I highlighted in Figure 12, so that the counterbalance can't float as much. Feel free to compress the disc springs with the nut if needed. By getting rid of the float the TV will probably be a little heavier to lift up all of the way.

Wire Management

Wires can be routed through the wire routing holes and/or zip tied with the included zip ties as shown in Figure 14. Ensure enough slack remains so the wires can move freely. Check that nothing is getting pinched or rubbing excessively after running wires.

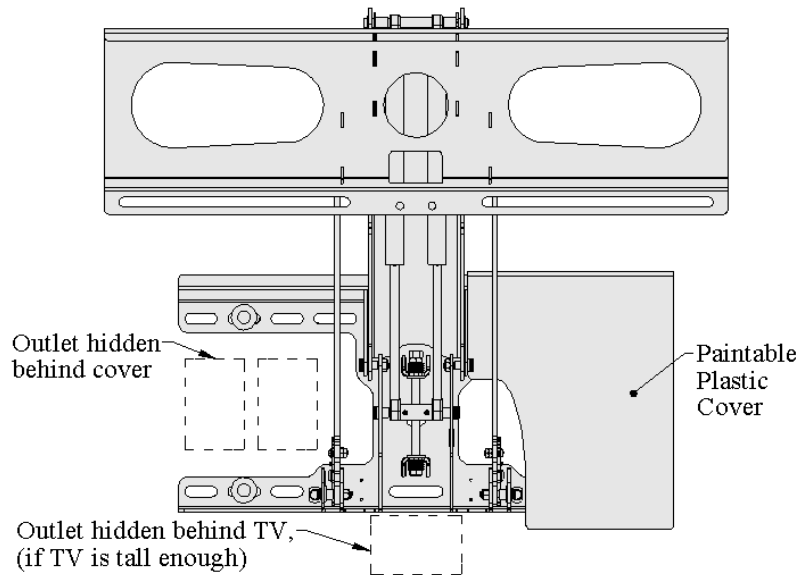


Figure 13, Ideal Outlet Placement and Vanity Plate

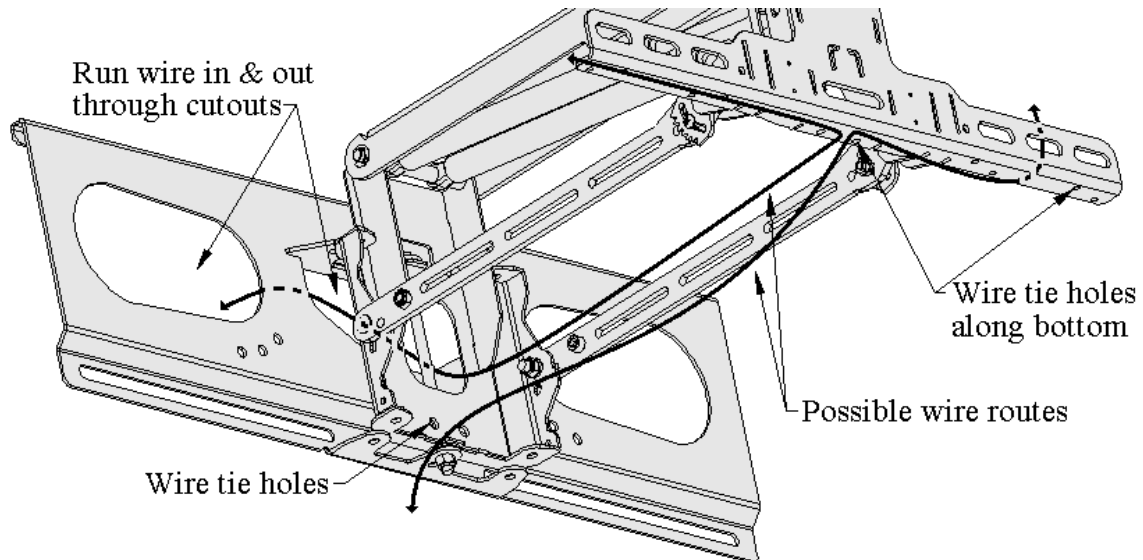


Figure 14, Wire Routing

Rubber Bumpers

To help avoid damage to the fireplace shelf, attach the Adhesive Rubber Bumpers to the bottom of the TV mount where it would come in contact.

Vanity Plates

The Vanity Plates can be painted to match your wall or painted black to help the mount blend in. They simply hook over the mounting plate as shown in Figure 13. Outlets can be installed under the covers and then the wires ran under them. You may need low profile wires or an indented outlet to get it to fit though.

Setting the Tilt in the Top Position

In the top position the mount tilts from vertical to about 7 degrees. To set the angle, put the mount in the out position for easier access and so there isn't any force on the cam. Adjust the Top Tilt Cam by removing the top Tilt Adjustment Bolt (Figure 15) and putting it into a different set of holes and hand tighten with one nut. Approximate tilt settings are shown in Figure 16. There is a cam on both sides of the mount, use the Top Tilt Alignment Marks and holes to ensure they are at the same position. Move the mount up and see if the tilt is correct, if not change the position of the cams, it will probably take a few times to get the tilt perfect. If you get a lot of resistance when trying to push the mount to the Top position, the Cam is set for too much up tilt and you will need to lessen it. Once you have the desired position, tighten both nuts with a 7/16 inch box wrench and phillips screwdriver.

Setting the Tilt in the Bottom and Out Positions

In the bottom and out position the mounts tilt can be set Vertical +/- 1 degree. To adjust, loosen up the 2 Bottom Tilt Lock Nuts with a 7/16 inch box wrench. Next move the 2 Bottom Tilt Adjustment Bolts in and out with the 7/16 inch box wrench until the mount is at the desired tilt, lock down the locknuts when satisfied with the tilt.

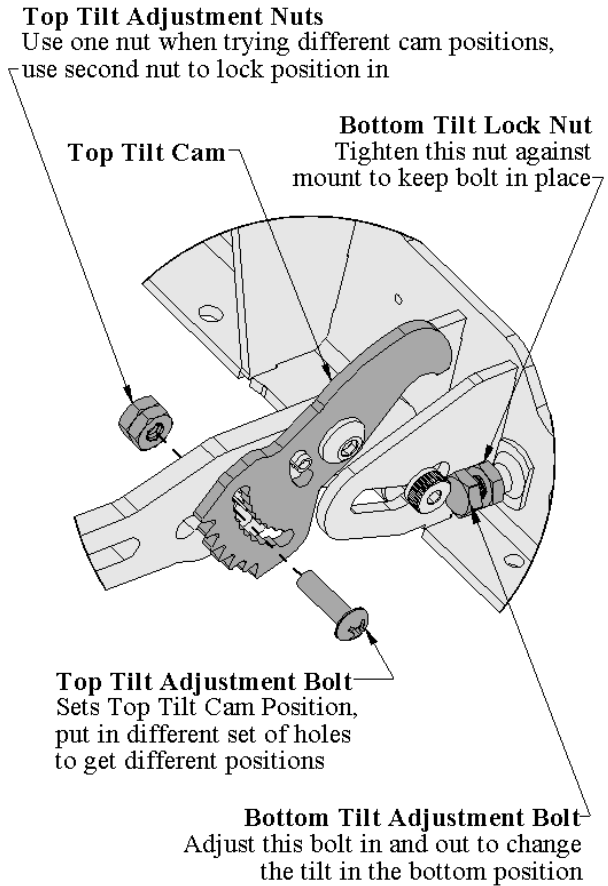


Figure 15, Tilt Adjust Hardware

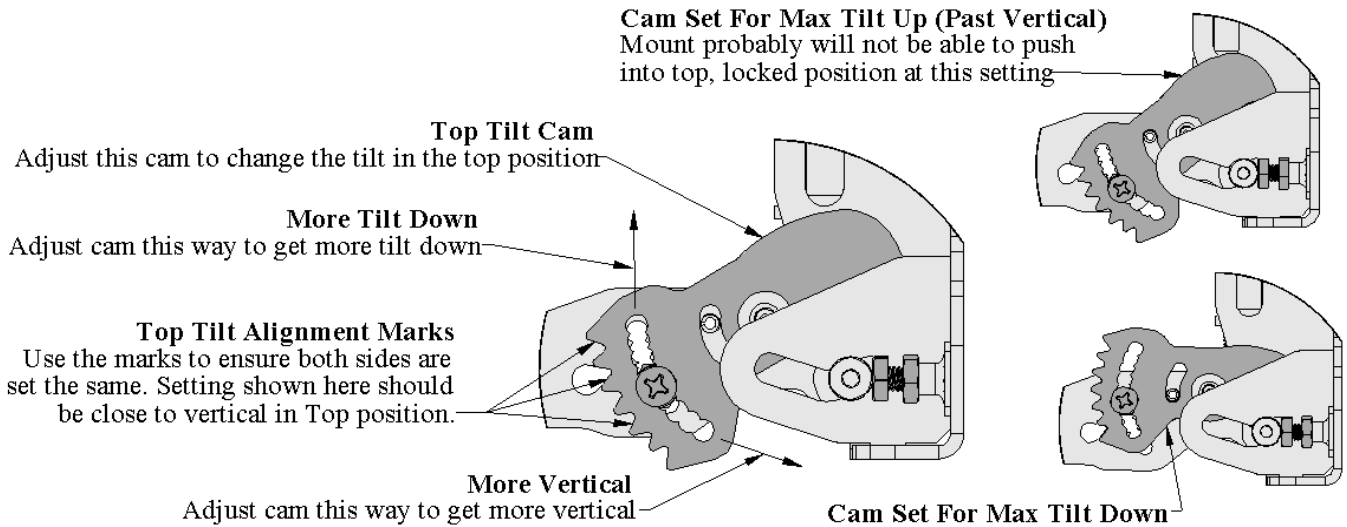


Figure 16, Top Tilt Cam Settings

Maintenance

To ensure the mount will work great for as long as possible follow these simple procedures:

1. Move the mount up and down at least twice a week, this keeps the seals in the gas springs oiled.
2. Lubricate all joints every 3 months. May need more, especially if outside
3. Visually check all bolts every 3 months to ensure nothing looks like it is coming loose.

nexus **21**
CONCEALMENT SYSTEMS

866.500.5438