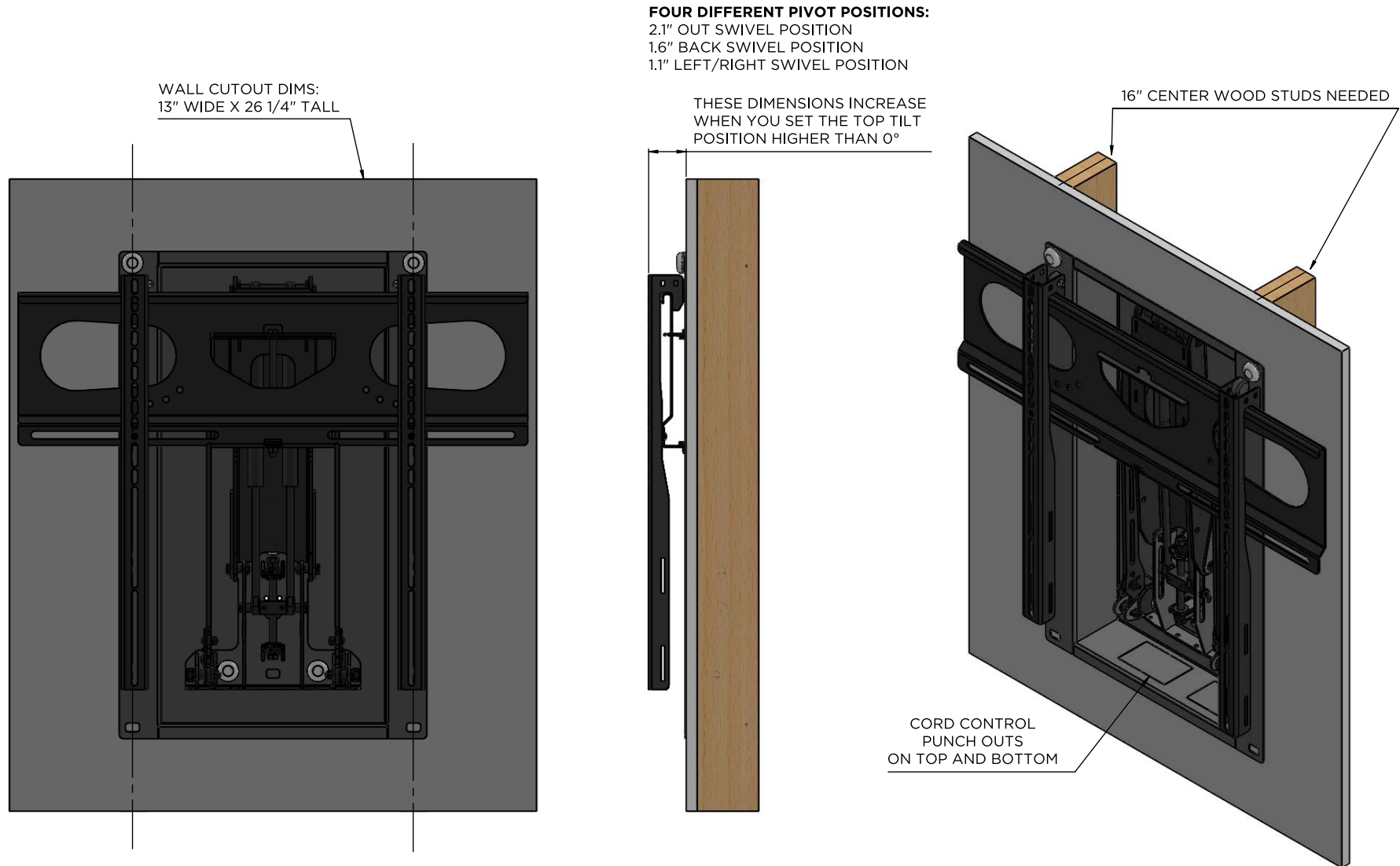


# TRANSCEND MOUNT DIAGRAM



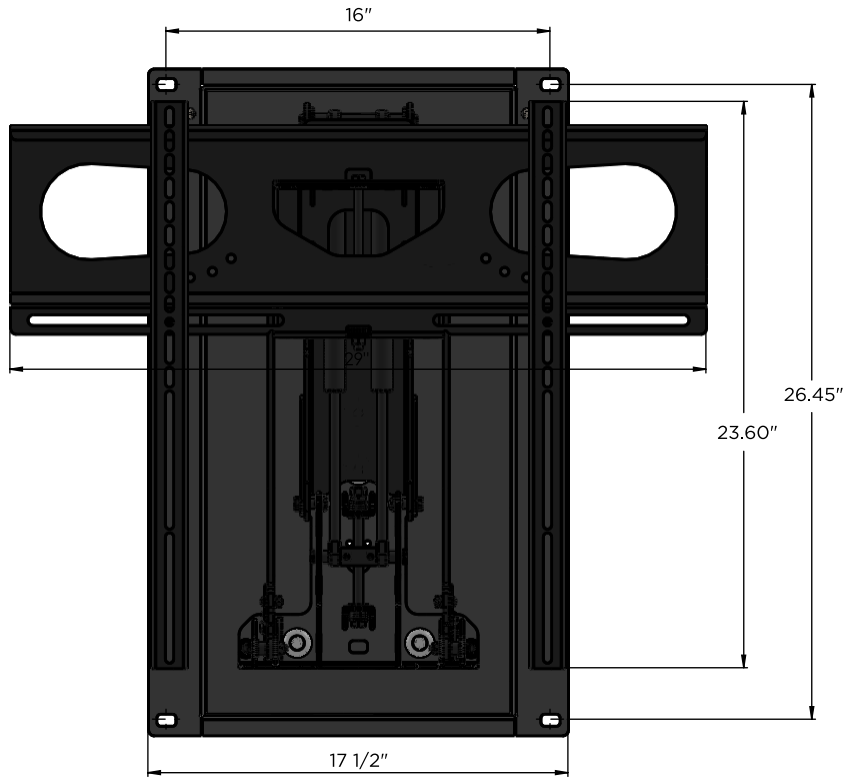
**NOTES:**

1. FOR THIS MOUNT, THE TOTAL WEIGHT CAPACITY IS 125 LBS
2. FOR THIS MOUNT, THE LENGTH OF ITS DOWNWARD TRAVEL IS 26"
3. WALL CUTOUT DIMENSIONS ON PAGE 1: 13" WIDE X 26 1/4" TALL
4. MECHANISM DIMENSIONS ON PAGE 2
5. MINIMUM TV HEIGHT TO COVER ENTIRE MECHANISM: 27 3/4"
6. FOR THIS MOUNT, THE MOUNTING LOCATIONS ARE DESIGNED TO BE USED IN BETWEEN 16" ON CENTER WOOD STUDS
7. WHEN DETERMINING TV HEIGHT, ALWAYS USE MANUFACTURER SUPPLIED "TV WITHOUT STAND" HEIGHT
8. MOUNT MECHANISM IS POWDERCOATED BLACK STEEL, COLORS IN DIAGRAM ARE FOR CLARITY ONLY

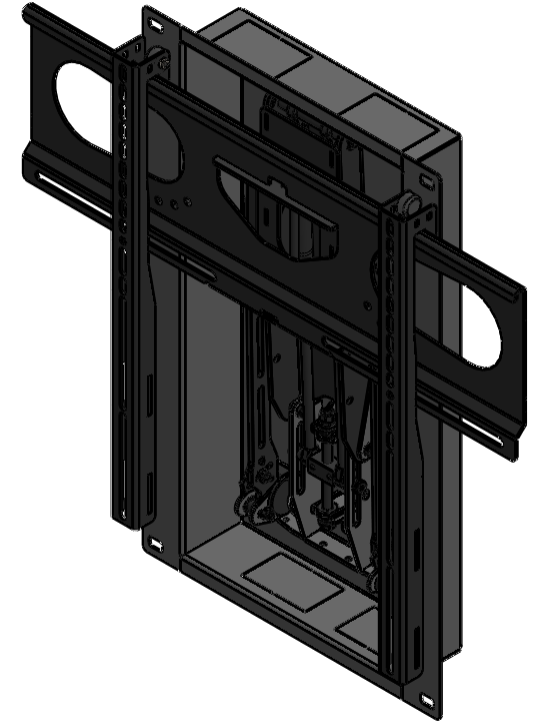
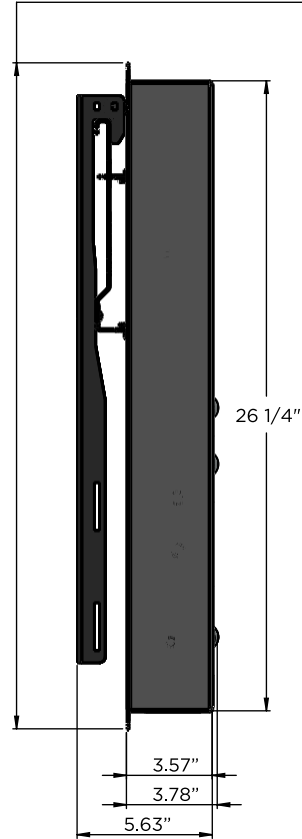
**nexus**<sup>21</sup>  
CONCEALMENT SYSTEMS

COPYRIGHT 2016 - ALL RIGHTS RESERVED  
UPDATED 10/17/16

# TRANSCEND MOUNT DIAGRAM



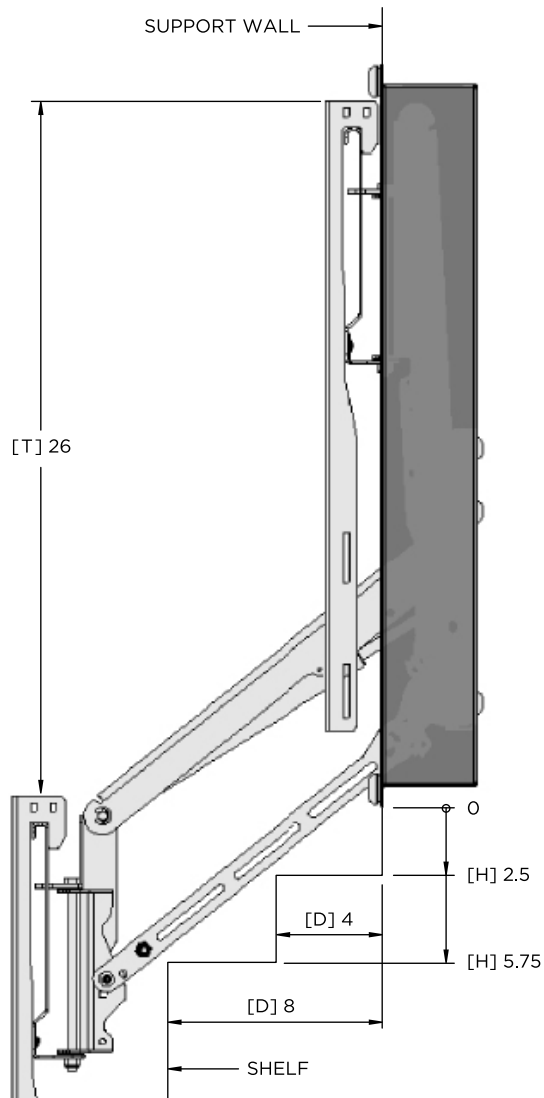
27 3/4"  
TV HEIGHT MUST BE GREATER  
THAN THIS DIMENSION IN ORDER FOR  
THE TRANSCEND MECHANISM TO NOT  
BE VISIBLE BEHIND THE TV



**nexus**<sup>21</sup>  
CONCEALMENT SYSTEMS

COPYRIGHT 2016 - ALL RIGHTS RESERVED  
UPDATED 10/17/16

# TRANSCEND MOUNT DIAGRAM



## TRANSCEND MOUNT CLEARANCE TABLE (CLEARANCE BETWEEN MOUNT AND SHELF)

		SHELF DEPTH [D]															
		0	1	2	3	4	5	6	7	8	9	10	11	12	13	14	
DOWNWARD TRAVEL [T]	26	0	0	.75	1.75	2.5	3.25	4	4.75	5.75	6.5	10	-	-	-	-	
	24	0	0	0	.5	1	1.5	2	2.75	3.25	3.75	4.5	8	-	-	-	
	22	0	0	0	0	0	.25	.75	1	1.5	1.75	2.25	2.75	5.5	-	-	
	20	0	0	0	0	0	0	0	0	0	.25	.5	.75	1	4	-	
	18	0	0	0	0	0	0	0	0	0	0	0	0	0	0	-	
	16	0	0	0	0	0	0	0	0	0	0	0	0	0	0	-	

CLEARANCE BETWEEN MOUNT AND SHELF (UNBOLDED) [H]

## TV CLEARANCE TABLE (OR SOUNDBAR CLEARANCE TABLE)

		SHELF DEPTH [D]															
		0	1	2	3	4	5	6	7	8	9	10	11	12	13	14	15
		0	.25	.5	.75	1	1.5	1.75	2.5	3	3.75	4.5	5.5	6.75	8.25	-	-

MINIMUM CLEARANCE NEEDED BETWEEN TOP OF SHELF AND BOTTOM OF TV

**nexus**<sup>21</sup>  
CONCEALMENT SYSTEMS

COPYRIGHT 2016 - ALL RIGHTS RESERVED  
UPDATED 10/17/16