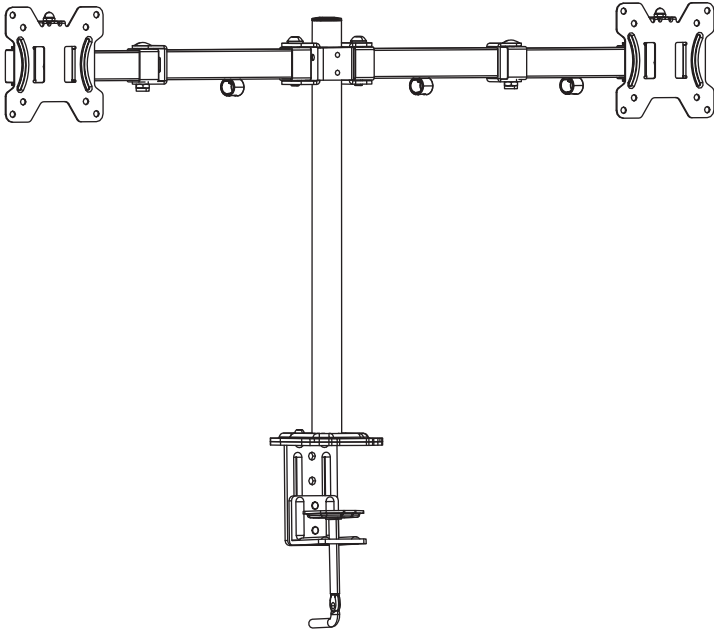




HUANUO

# Dual Monitor Desk Mount

V5.0



**HNCM7**



Thank you for choosing our product! We strive to provide the best quality and services for our customers. Would you kindly share your experience on Amazon if you are satisfied? Should you have any issues, please don't hesitate to contact us.

Telephone: 800-556-0533 Mon-Fri 10am - 6pm (PST)(USA)

Email: [support@huanuoav.com](mailto:support@huanuoav.com) (US/CA/DE/UK/FR/IT/ES/JP/AU)



## IMPORTANT SAFETY INFORMATION

- Check package contents against Supplied Parts and Hardware Lists to assure that all components were received undamaged. Do not use damaged or defective parts.If you require replacement parts, contact customer service at [support@huanuoav.com](mailto:support@huanuoav.com)
- Not all parts and hardware included will be used.
- Carefully read all instructions before attempting installation.If you do not understand the instructions or have any concerns or questions, please contact customer service at [support@huanuoav.com](mailto:support@huanuoav.com)
- This product may contain moving parts. Use with caution.
- Do not use this product for any purpose or in any configuration not explicitly specified in this instruction. We hereby disclaim any liability for injury or damage arising from incorrect assembly, incorrect mounting, or incorrect use of this product.

## Tools Needed (Not Included)



Pencil



Screw driver



Drill



Tape measure

## Supplied Hardware



M4X12MM  
A(8PCS)



M4X16MM  
B(8PCS)



M6X12MM  
C(8PCS)



M6X16MM  
D(8PCS)



M10  
E1(1PC)



M10  
E2(1PC)



M6X12MM  
E3(1PC)



M8X10MM  
E4(2PCS)



M6X8MM  
F1(2PCS)



wrench 5x5  
F2(1PC)



wrench 4x4  
F3(1PC)



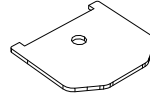
wrench 3x3  
F4(1PC)



F4(2PCS)



a(1PC)

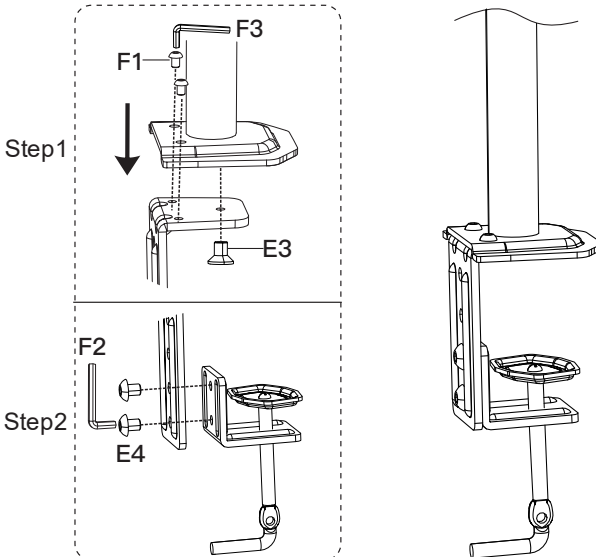


b(1PC)

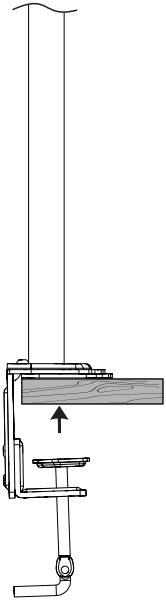


c(1PC)

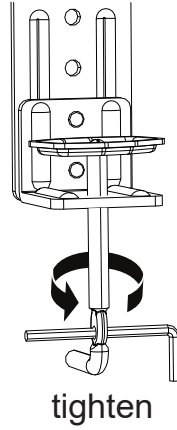
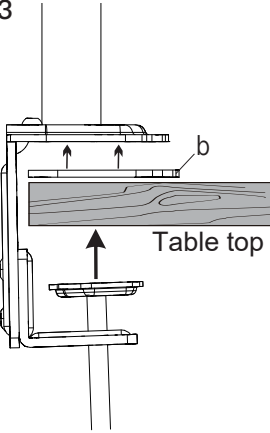
## STEP 1A Install the Base(C Clamp Mount Option)



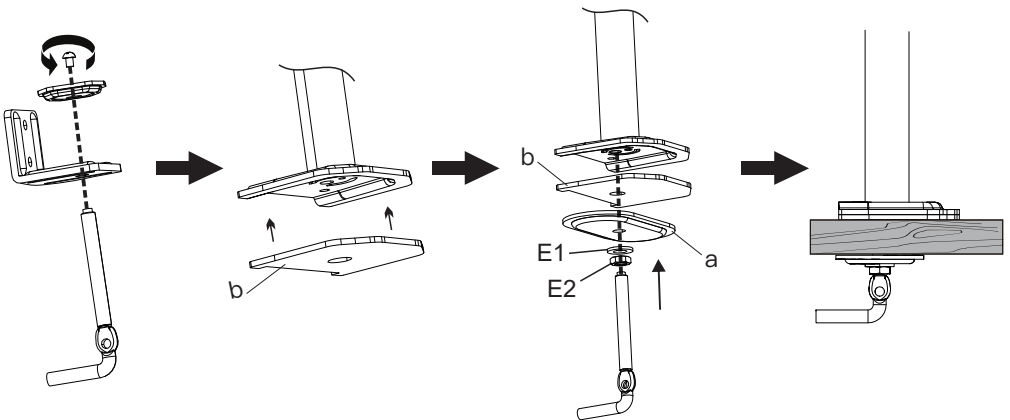
## STEP 1A Install the Base(C Clamp Mount Option)



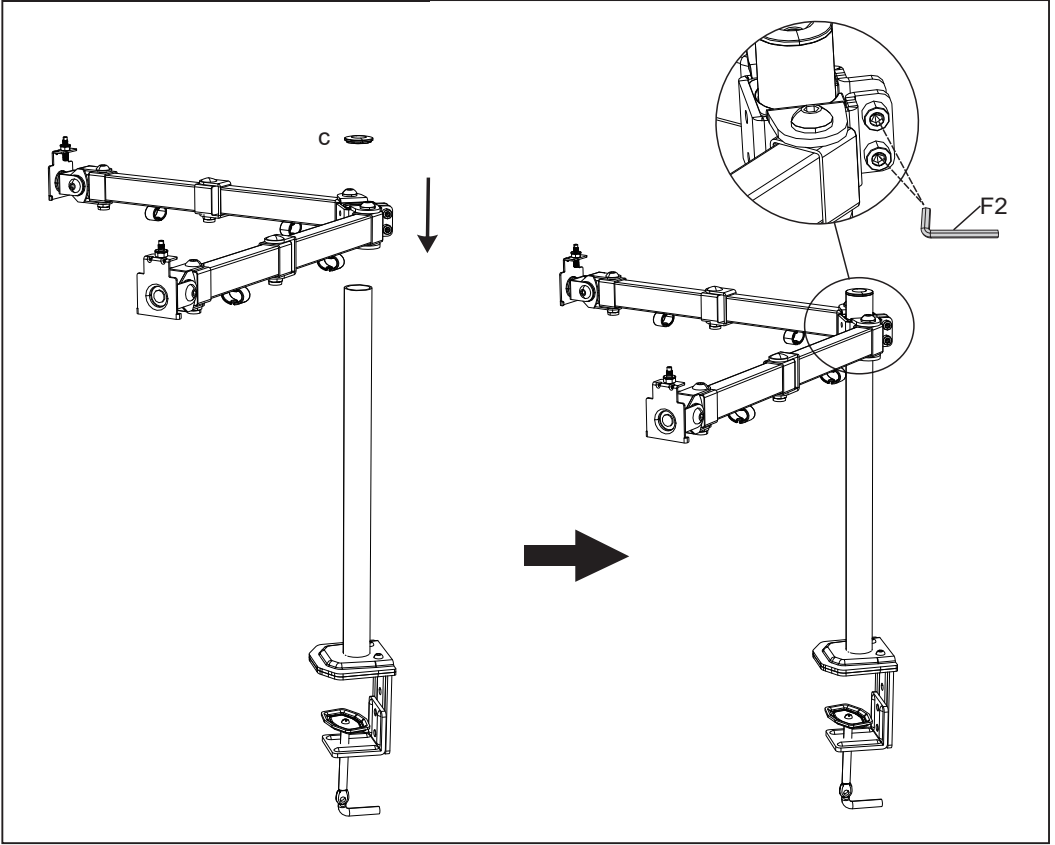
Step 3



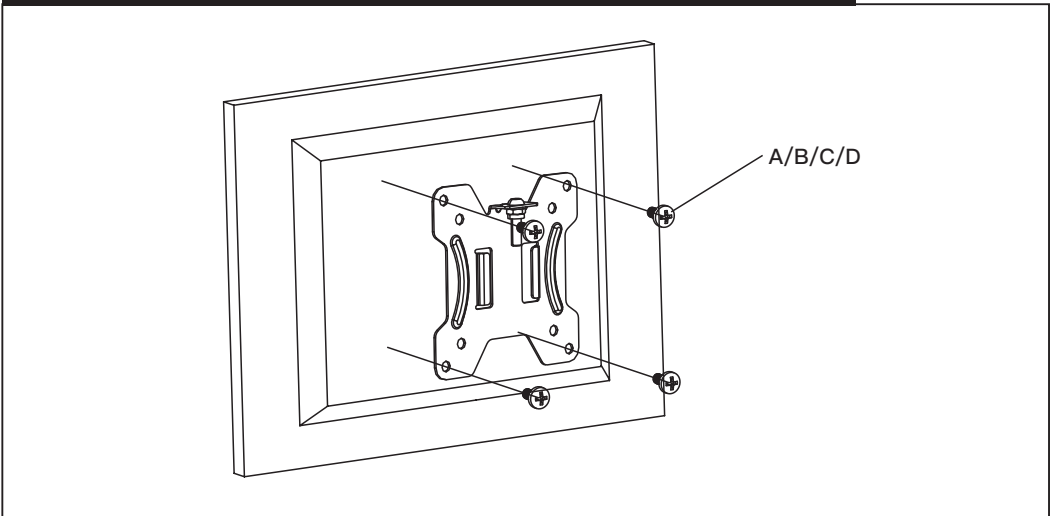
## STEP 1B Install the Base(Grommet Mount Option)



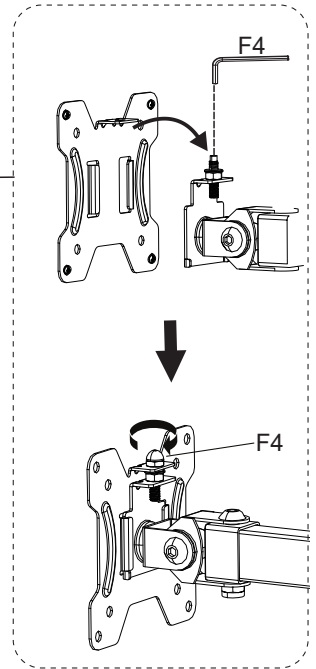
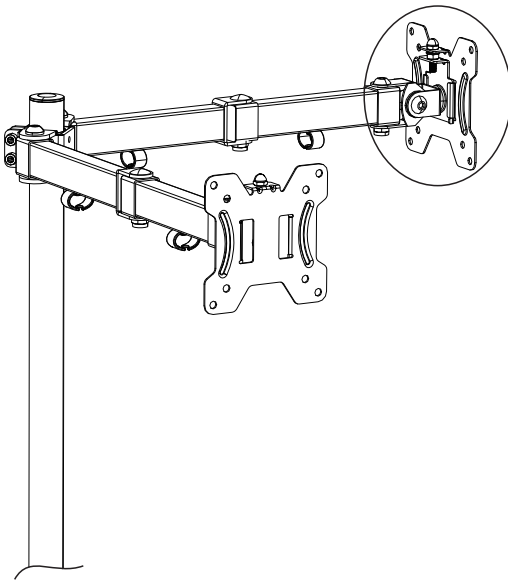
## STEP 2 Assemble Arms



## STEP 3 Attach VESA Plates to the Back of Monitors



# STEP 4 Hang the Monitor to the Mount

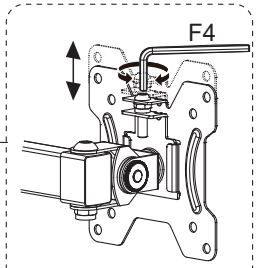
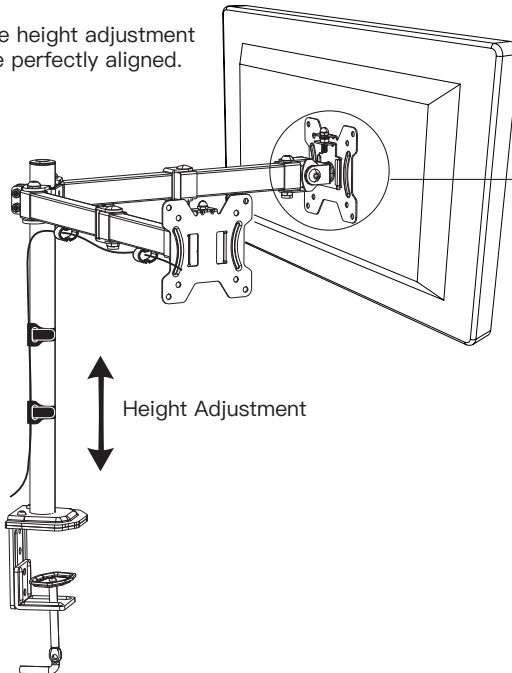


Individual VESA plate height adjustment helps monitors to be perfectly aligned.

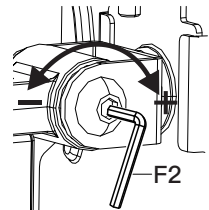
Cable management



**2x Cable tie**



Tilt Adjustment







Thank you for choosing our product! We strive to provide the best quality and services for our customers. Would you kindly share your experience on Amazon if you are satisfied? Should you have any issues, please don't hesitate to contact us.  
Telephone: 800-556-0533 Mon-Fri 10am - 6pm (PST)(USA)  
Email: [support@huanuoav.com](mailto:support@huanuoav.com)  
(US/CA/DE/UK/FR/IT/ES/JP/AU)