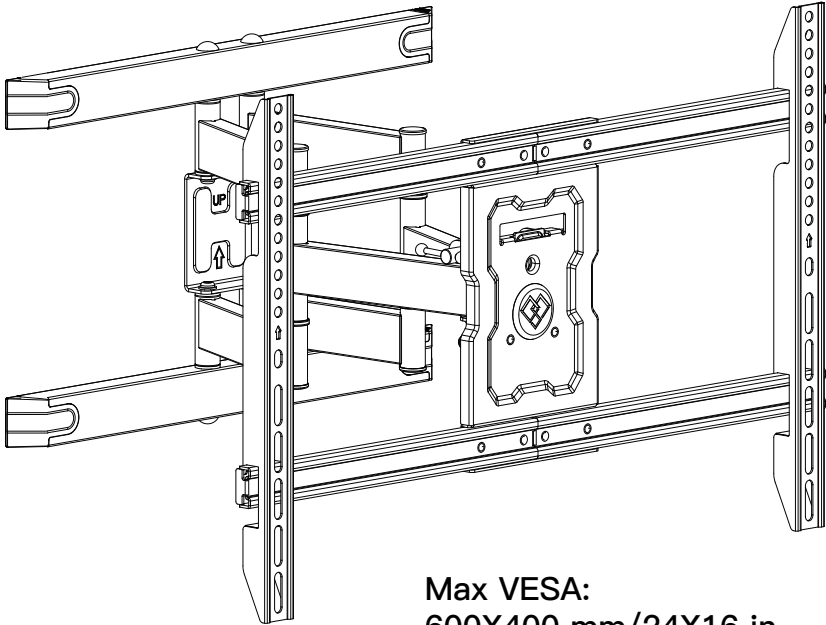




PERLESMITH

# Installation Instructions

V1.0



**Max VESA:  
600X400 mm/24X16 in.**

**PSLFK5**



Thank you for choosing our product! We strive to provide the best quality and services for our customers. Would you kindly share your experience on Amazon if you are satisfied? Should you have any issues, please don't hesitate to contact us.

Telephone:

1-800-556-6806 Mon-Fri 10am - 6pm (PST) (USA) (CAN)

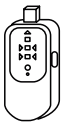
Email:

supportus@perlesmith.com (US/CA/DE/UK/FR/IT/ES/JP/AU)

# IMPORTANT SAFETY INFORMATION

- Check package contents against Supplied Parts and Hardware Lists to assure that all components were received undamaged. Do not use damaged or defective parts. If you require replacement parts, contact customer service at supportus@perlesmith.com
- Not all parts and hardware included will be used.
- Carefully read all instructions before attempting installation. If you do not understand the instructions or have any concerns or questions, please contact customer service at supportus@perlesmith.com
- This product may contain moving parts. Use with caution.
- Do not use this product for any purpose or in any configuration not explicitly specified in this instruction. We hereby disclaim any liability for injury or damage arising from incorrect assembly, incorrect mounting, or incorrect use of this product.
- **DO NOT INSTALL INTO DRYWALL ALONE.**
- Please check [www.perlesmith.com](http://www.perlesmith.com) for more products and company information.

## Tools Needed (Not Included)



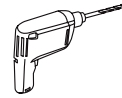
Stud Finder



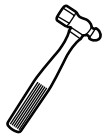
Tape Measure



Pencil



Drill



Hammer



5mm  
Wood Drill



10mm  
Concrete Drill

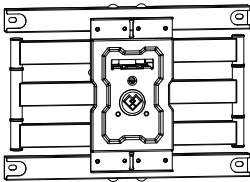


13mm  
Socket Wrench



Screw Driver

## Supplied Parts



Arm assembly/Wall Plate

**01** x1



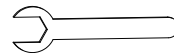
TV Bracket

**02** x2



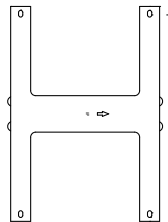
Decorative Cap

**04** x4



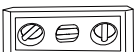
Wrench

**06** x1



Wall Plate  
Template

**08** x1



Level x1



Extension

**03** x4



Nut

**05** x8



Socket Wrench

**07** x1



Cable Tie x8

# Supplied Hardware

## Hardware for Attaching TV Bracket to TV

### 09 Washers

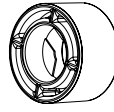


x4  
M6/M8

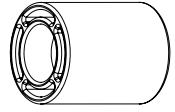
### 10 Spacers [If necessary]



x8  
2.5mm



x4  
10mm



x4  
22mm

### 11 TV Screws

[Only one size fits your TV]



**M6** M6 x 14mm x4



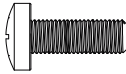
M6 x 20mm x4



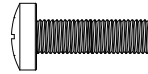
M6 x 35mm x4



**M8** M8 x 16mm x4



M8 x 25mm x4



M8 x 35mm x4



M8 x 50mm x4

## Hardware for Attaching Arm Assembly/Wall Plate to Wall

Lag Bolts  
M8X60



x4

**A1**

Washer  
M8



x4

**A2**

Wall Anchor



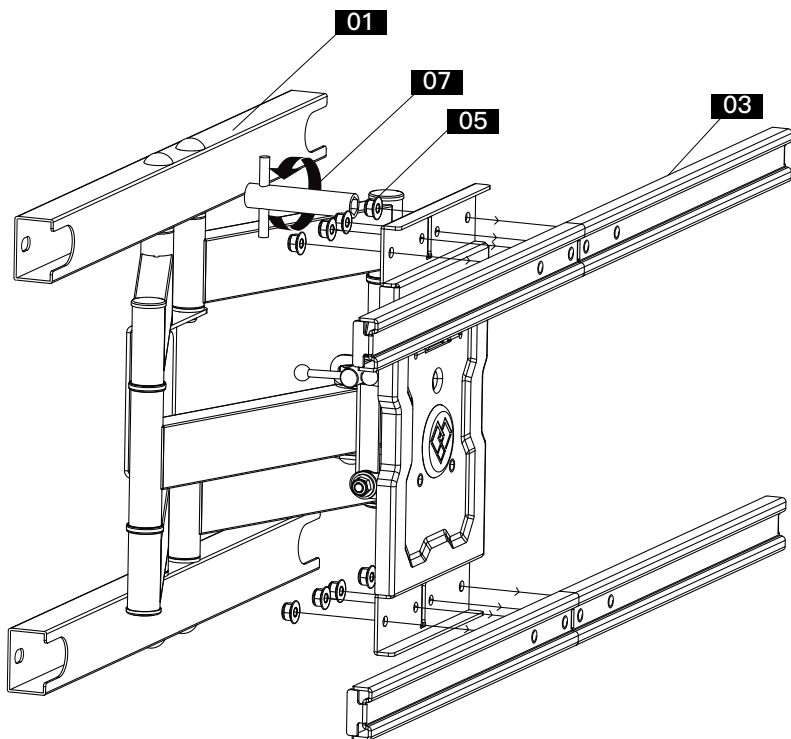
x4

**A3**

**! CAUTION!**

These anchors are for concrete or brick walls ONLY. DO NOT use them in drywall or wood studs.

## Step 1 Install the Extensions [03] to Arm Assembly/Wall Plate[01]



## Step 2 Attach the Arm Assembly/Wall Plate [01] to Wall

For wood stud installation, follow STEP 2A

For concrete installation, follow STEP 2B

### Step 2A Wood Stud Option

#### ⚠ WARNING:

● Avoid potential personal injury or property damage! DO NOT over-tighten the lag bolts [A1]. Tighten the lag bolts [A1] only until the washers [A2] are pulled firmly against the wall plate [01].

● DONOT USE ANCHOR [A3] FOR THIS STEP!

● Ensure the arm assembly/wall plate[01] is securely fastened to the wall before continuing on to the next step.

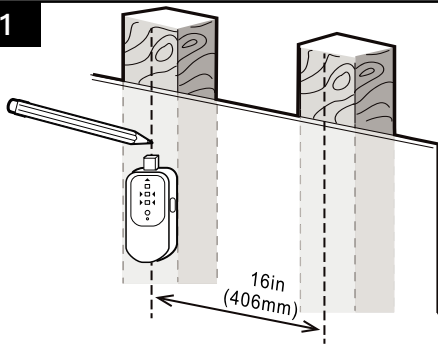
● Any material covering the wall must not exceed 5/8 in. (16 mm).

● Nominal wood stud size: common 2 x 4 in. (51 x 102 mm) minimum 1½ x 3½ in. (38 x 89 mm).

● Stud center must be verified.

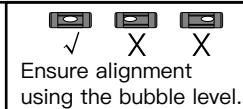
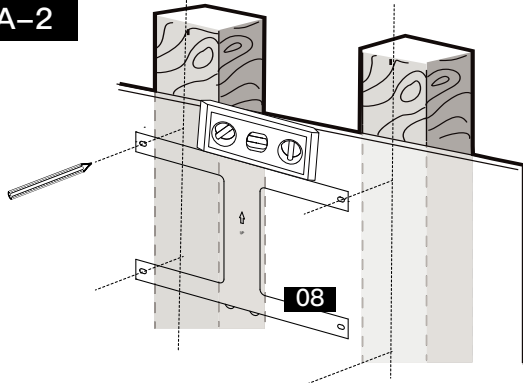


2A-1



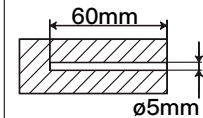
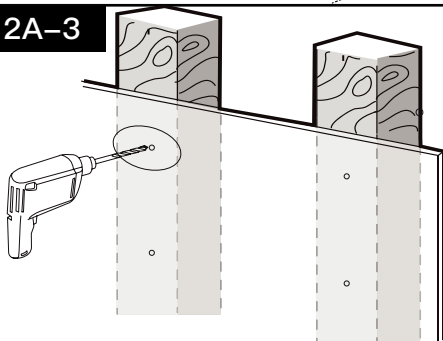
Use a stud finder(not included) to locate wood studs. Mark the edge and center locations.

2A-2



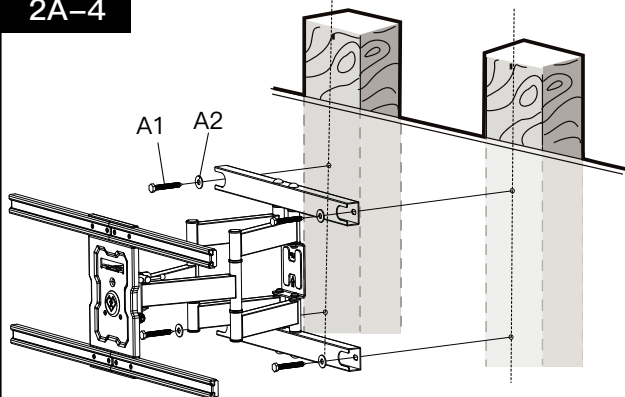
Position the wall plate template[08] at your desired height and line up the holes with your stud center line. Level the template and mark the holes.

2A-3

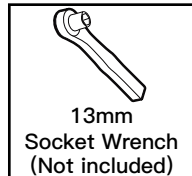


Drill 4 pilot holes using a 5 mm diameter drill bit. Make sure the depth is not less than 60mm.

2A-4



Install the arm assembly/wall plate using lag bolts [A1] and washer [A2]. Tighten the lag bolts [A1] only until the washers [A2] are pulled firmly against the wall plate



## Step 2B Solid Concrete or Concrete Block Option

### ⚠ WARNING:

● Avoid potential personal injury or property damage! DO NOT over-tighten the lag bolts [A1]. Tighten the lag bolts [A1] only until the washers [A2] are pulled firmly against the wall plate.

● Ensure the arm assembly/wall plate [01] is securely fastened to the wall before continuing on to the next step.

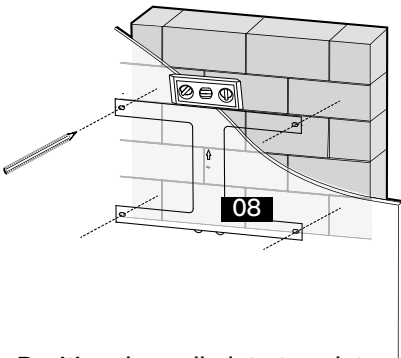


Wall Anchor

A3

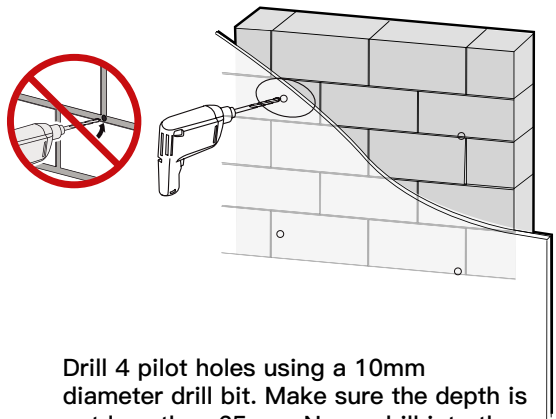
- Any material covering the wall must not exceed 5/8 in. (16 mm).
- Mount the arm assembly/wall plate [01] directly onto the concrete surface.
- Minimum solid concrete thickness: 203 mm (8 in.).
- Minimum concrete block size: 203 x 203 x 406 mm (8 x 8 x 16 in.).

### 2B-1

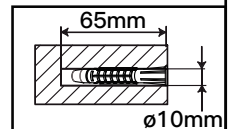
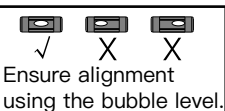


Position the wall plate template [08] at your desired height, level the template and mark the pilot hole locations.

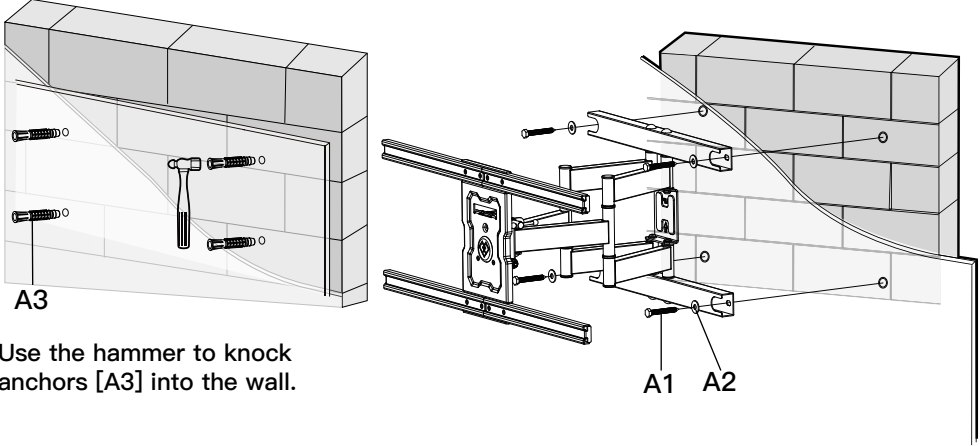
### 2B-2



Drill 4 pilot holes using a 10mm diameter drill bit. Make sure the depth is not less than 65mm. Never drill into the mortar between blocks.



## 2B-3



Use the hammer to knock anchors [A3] into the wall.

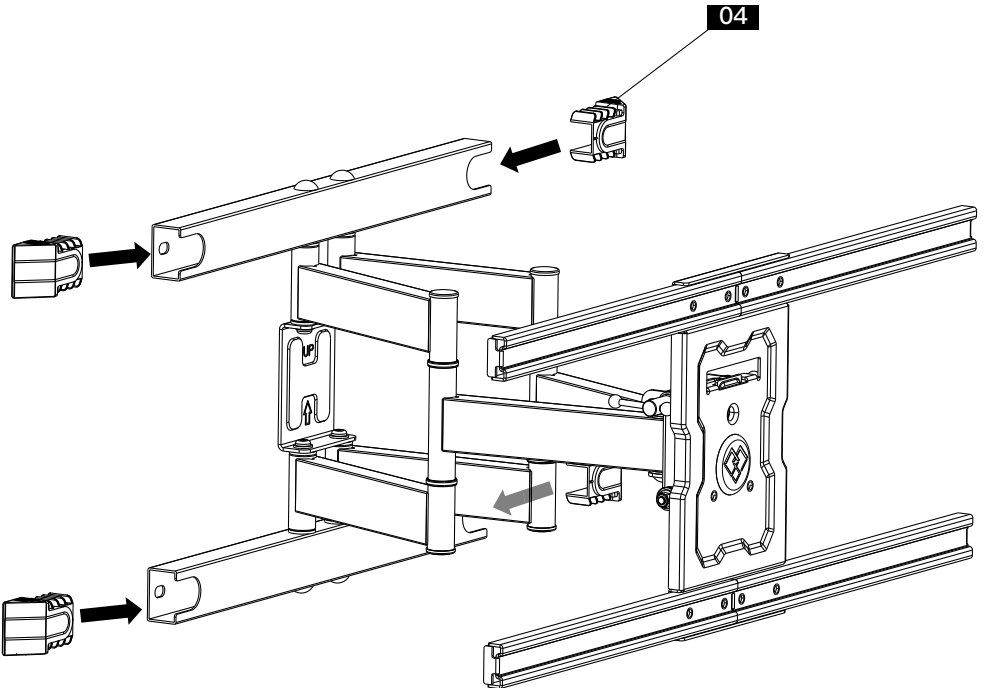
A1 A2



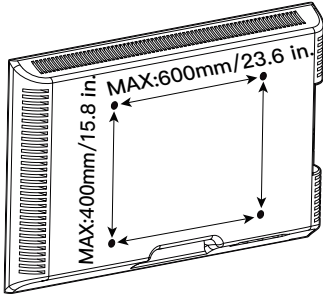
13mm  
Socket Wrench  
(Not included)

Install the arm assembly/wall plate [01] using lag bolts [A1], washers [A2] and anchors [A3]. Be sure the anchors [A3] are seated flush with the concrete surface. Tighten the lag bolts [A1] only until the washers [A2] are pulled firmly against the wall plate. DO NOT over-tighten the lag bolts [A1].

### Step 3 Add the Decorative Cap [04] to the Arm Assembly/Wall Plate [01]

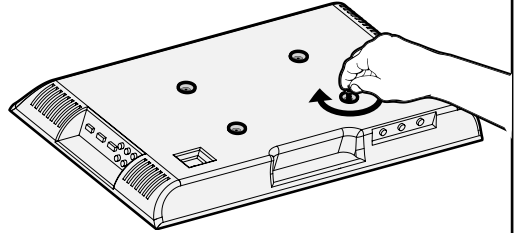
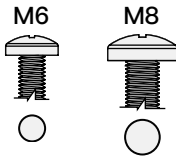


## Step 4 Check TV Hole Pattern and Select TV Screws



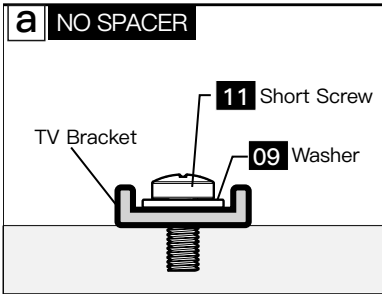
100 mm  $\approx$  4 in.  
200 mm  $\approx$  7 7/8 in.  
300 mm  $\approx$  11 3/4 in.  
400 mm  $\approx$  15 3/4 in.  
600 mm  $\approx$  23 6/10 in.

Only one screw size fits your TV.

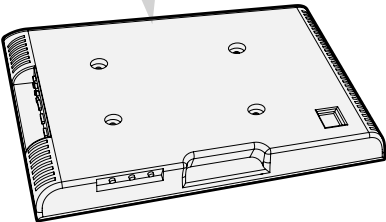


## Step 5 Select Spacers (if needed)

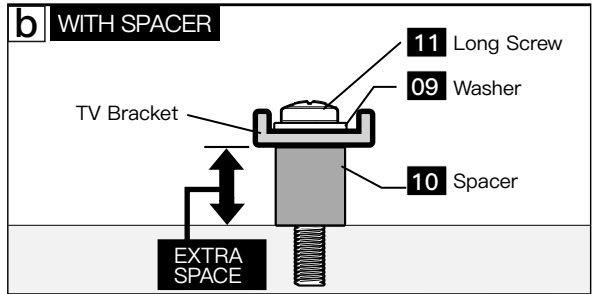
### a NO SPACER



For Flat TV  
Spacer not necessary



### b WITH SPACER

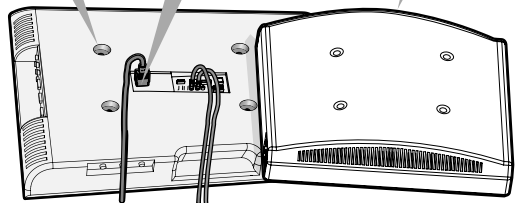
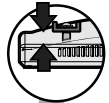
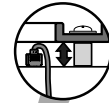
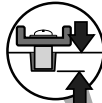


For Flat TV with:

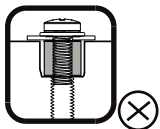
Inset Holes

Cable Interference

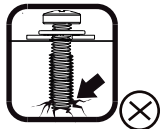
For Rounded TV



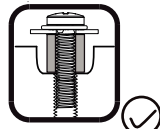
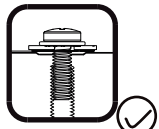




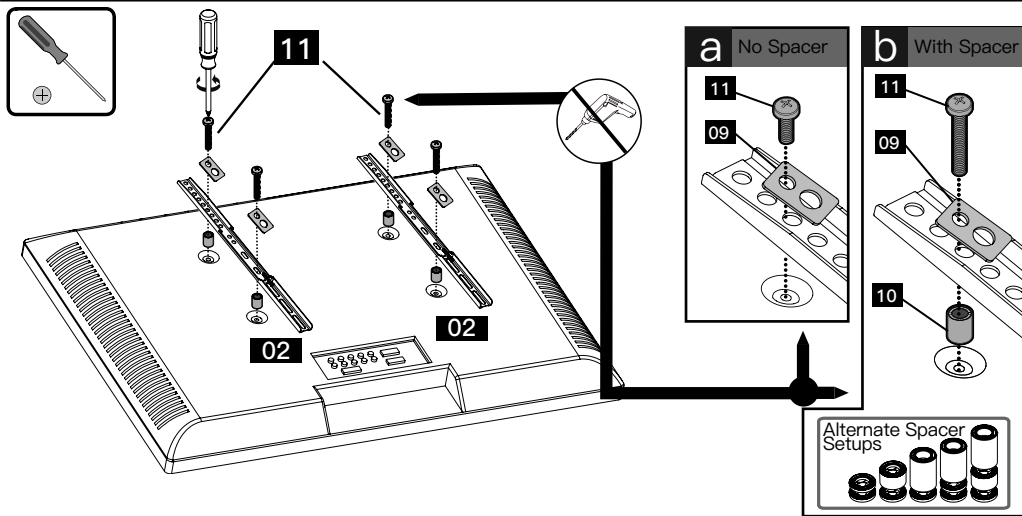
Too Short



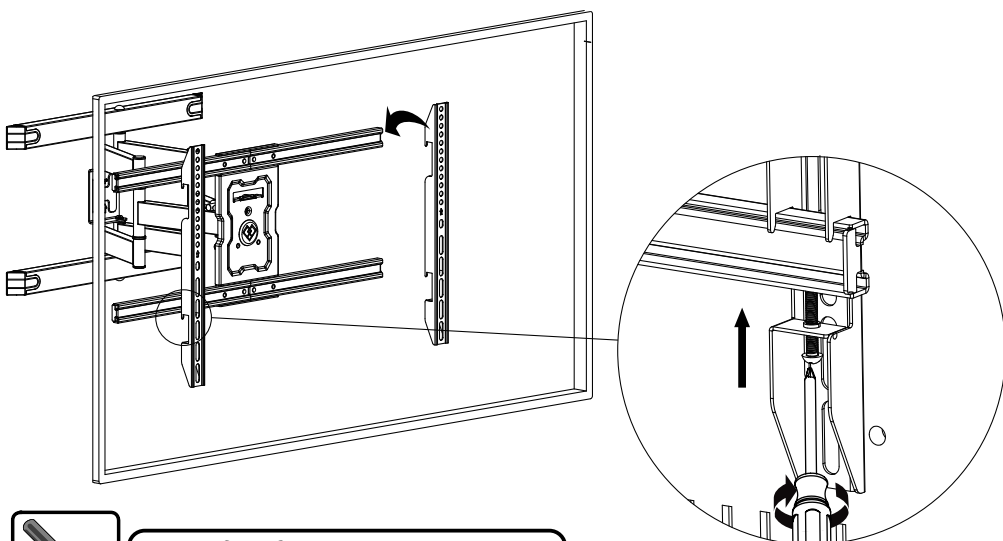
Too Long



## Step 6 Secure the TV Brackets [02] to Your TV

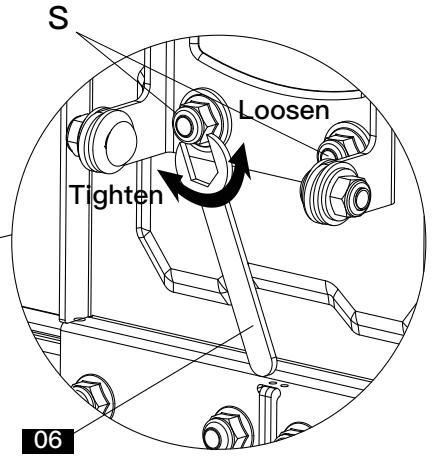
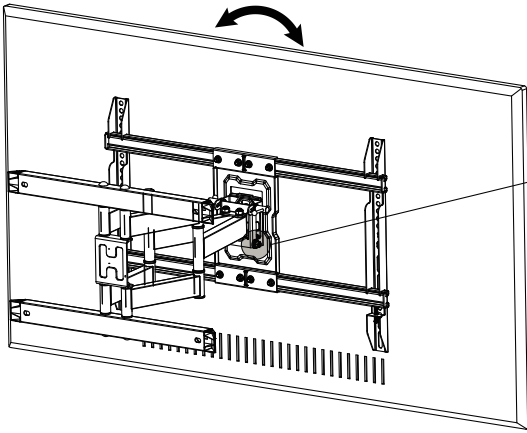


## Step 7 Hang the TV onto the Arm Assembly/Wall Plate [01]



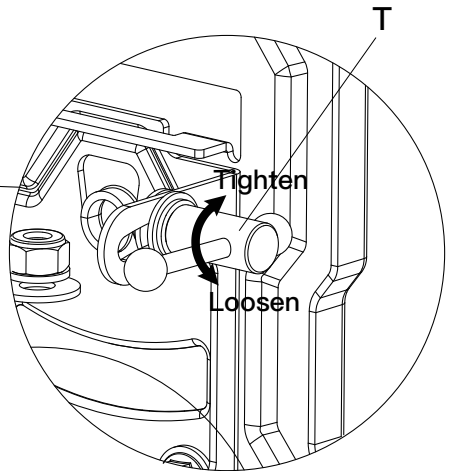
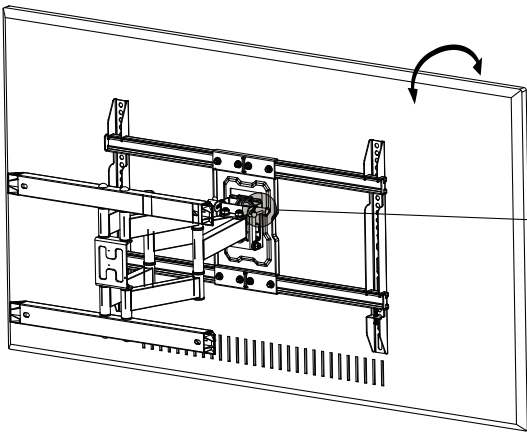
**HEAVY!** You may need assistance with this step.

## Step 8 Level Adjustment



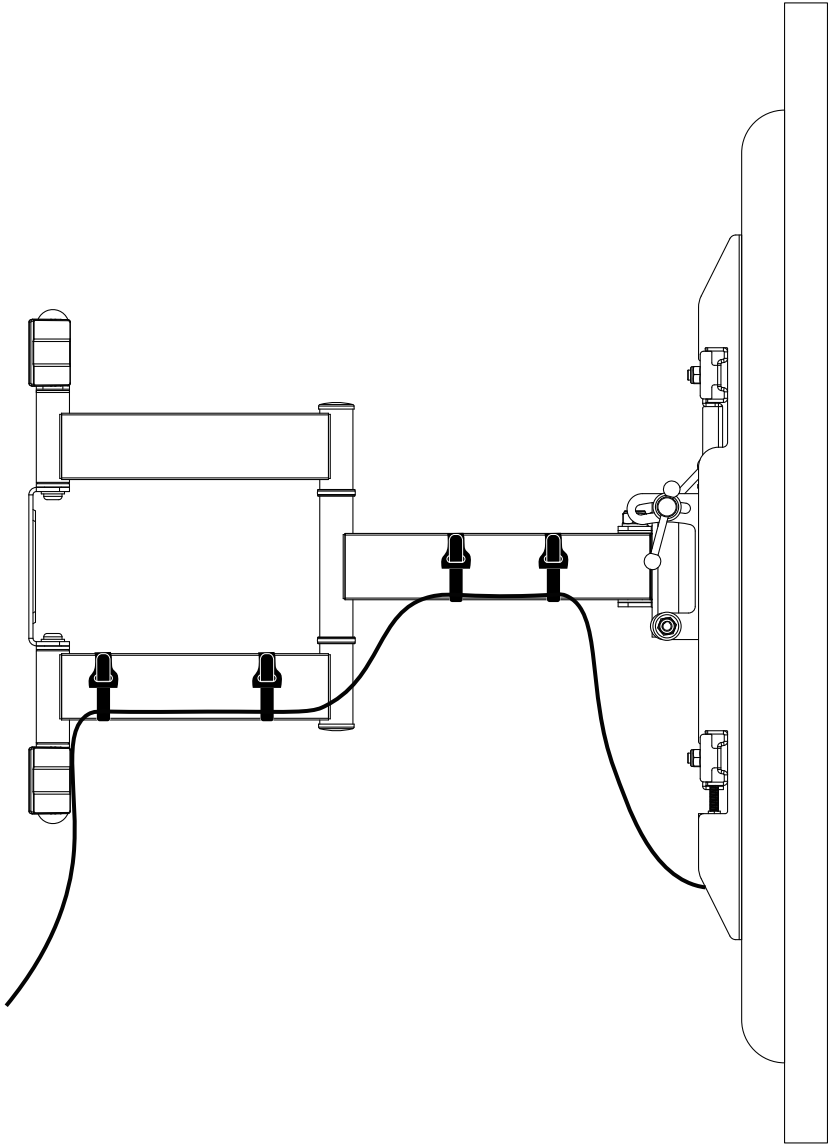
1. Loosen the two screws [S] on the rear of arm plate [01] , using the hex key.
2. Level your TV.
3. Retighten screws [S] to secure in place.

## Step 9 Tilt Adjustment



1. Loosen the tilt lever [T] on both sides.
2. Adjust the TV tilt position.
3. Tighten tilt lever [T] to secure the TV in place at your desired tilt angle.

# Step 10 Manage Cables





Thank you for choosing our product! We strive to provide the best quality and services for our customers. Would you kindly share your experience on Amazon if you are satisfied? Should you have any issues, please don't hesitate to contact us.

**Telephone:**

**1-800-556-6806 Mon-Fri 10am – 6pm (PST) (USA) (CAN)**

**Email:**

**supportus@perlesmith.com (US/CA/DE/UK/FR/IT/ES/JP/AU)**