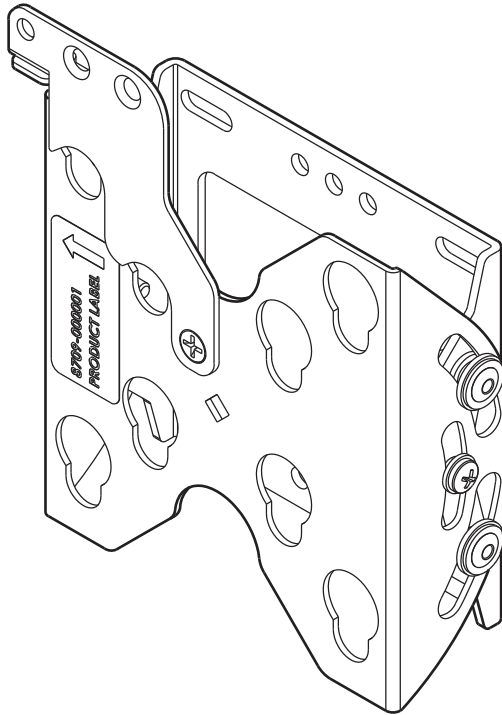


---

# INSTALLATION INSTRUCTIONS

---



---

## Small Flat Panel Tilt Wall Mount

---

## DISCLAIMER

Milestone AV Technologies and its affiliated corporations and subsidiaries (collectively "Milestone"), intend to make this manual accurate and complete. However, Milestone makes no claim that the information contained herein covers all details, conditions or variations, nor does it provide for every possible contingency in connection with the installation or use of this product. The information contained in this document is subject to change without notice or obligation of any kind. Milestone makes no representation of warranty, expressed or implied, regarding the information contained herein. Milestone assumes no responsibility for accuracy, completeness or sufficiency of the information contained in this document.

Chief® is a registered trademark of Milestone AV Technologies. All rights reserved.

## DEFINITIONS

**MOUNTING SYSTEM:** A MOUNTING SYSTEM is the primary Chief product to which an accessory and/or component is attached.

**ACCESSORY:** AN ACCESSORY is the secondary Chief product which is attached to a primary Chief product, and may have a component attached or setting on it.

**COMPONENT:** A COMPONENT is an audiovisual item designed to be attached or resting on an accessory or mounting system such as a video camera, CPU, screen, display, projector, etc.



**WARNING:** A WARNING alerts you to the possibility of serious injury or death if you do not follow the instructions.



**CAUTION:** A CAUTION alerts you to the possibility of damage or destruction of equipment if you do not follow the corresponding instructions.



## IMPORTANT SAFETY INSTRUCTIONS



**WARNING:** Failure to read, thoroughly understand, and follow all instructions can result in serious personal injury, damage to equipment, or voiding of factory warranty! It is the installer's responsibility to make sure the mounting system is properly assembled and installed using the instructions provided.



**WARNING:** Failure to provide adequate structural strength for this mounting system can result in serious personal injury or damage to equipment! It is the installer's responsibility to make sure the structure to which this mounting system is attached can support five times the combined weight of all equipment. Reinforce the structure as required before installing the mounting system. The wall to which the mounting system is being attached may have a maximum drywall thickness of 5/8" (1.6cm). Do not install drywall anchors into the seam between drywall pieces.



**WARNING:** Exceeding the weight capacity can result in serious personal injury or damage to equipment! It is the installer's responsibility to make sure the combined weight of all components attached to FTR1U/FTR100 mounting system does not exceed 45 lbs (20.4 kg).



**WARNING:** Watch for pinch points! Do NOT place fingers in between moving parts!



**WARNING:** Use this mounting system only for its intended use as described in these instructions. Do not use attachments not recommended by the manufacturer.



**WARNING:** Never operate this mounting system if it is damaged. Return the mounting system to a service center for examination and repair.



**WARNING:** Do not use this mounting system outdoors.

**IMPORTANT ! :** The FTR1U/FTR100 mounts are designed to be mounted to a:

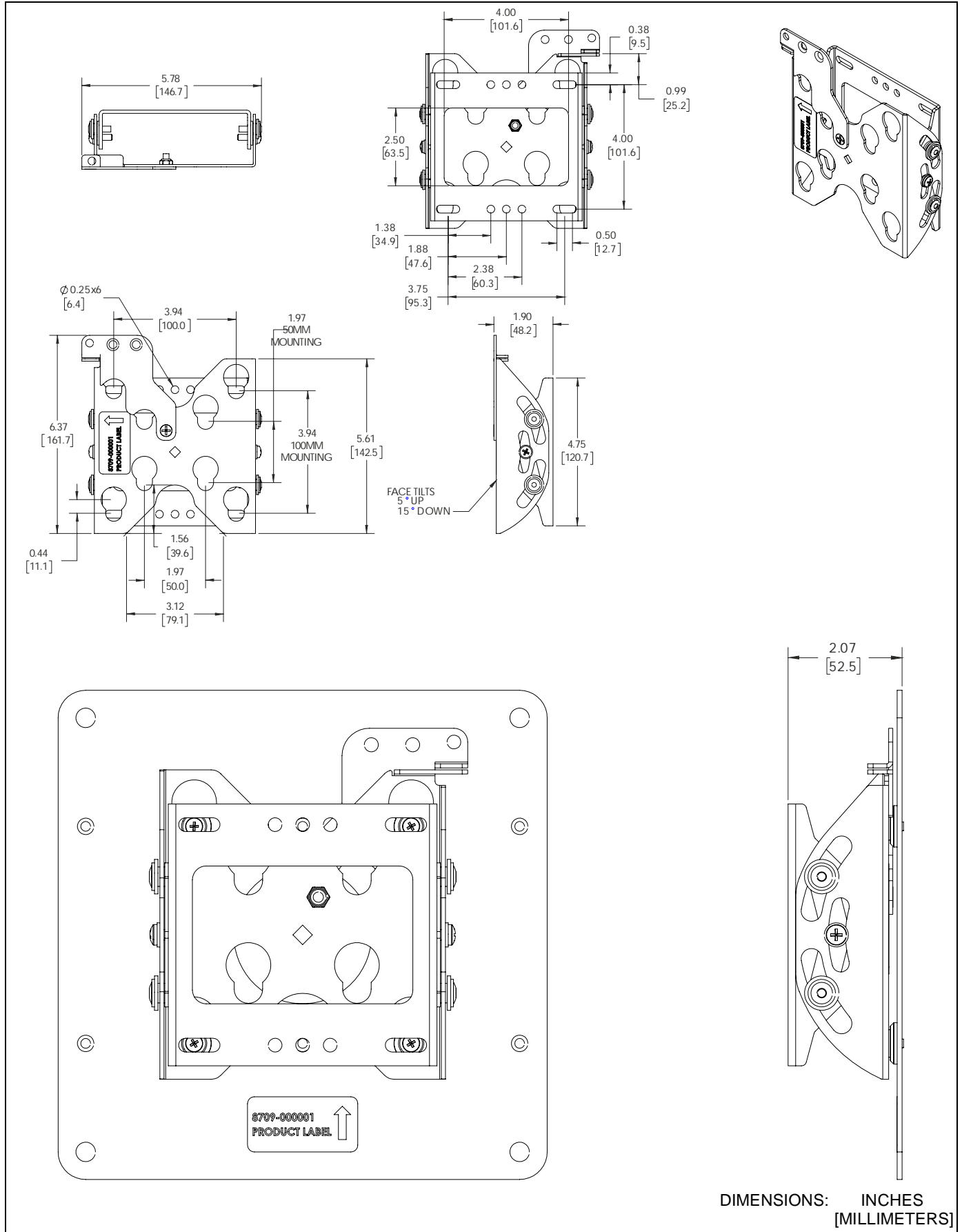
- single 2" x 4" wood stud; **OR** a
- single 2" x 4" wood stud on one side and drywall on the other side using the drywall anchors provided.

**NOTE:** The FTR1U includes the Chief FSB1U interface bracket.

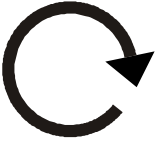

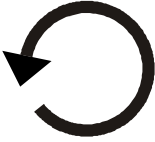



**NOTE:** The FTR100 includes the Chief FSB75100 interface bracket.

**--SAVE THESE INSTRUCTIONS--**

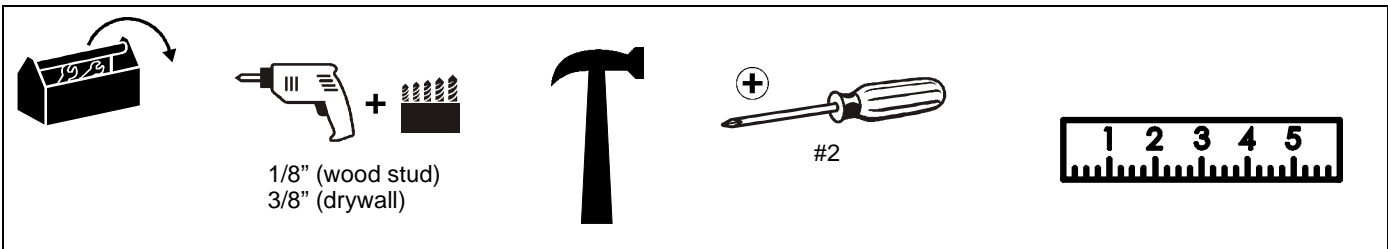
**DIMENSIONS**



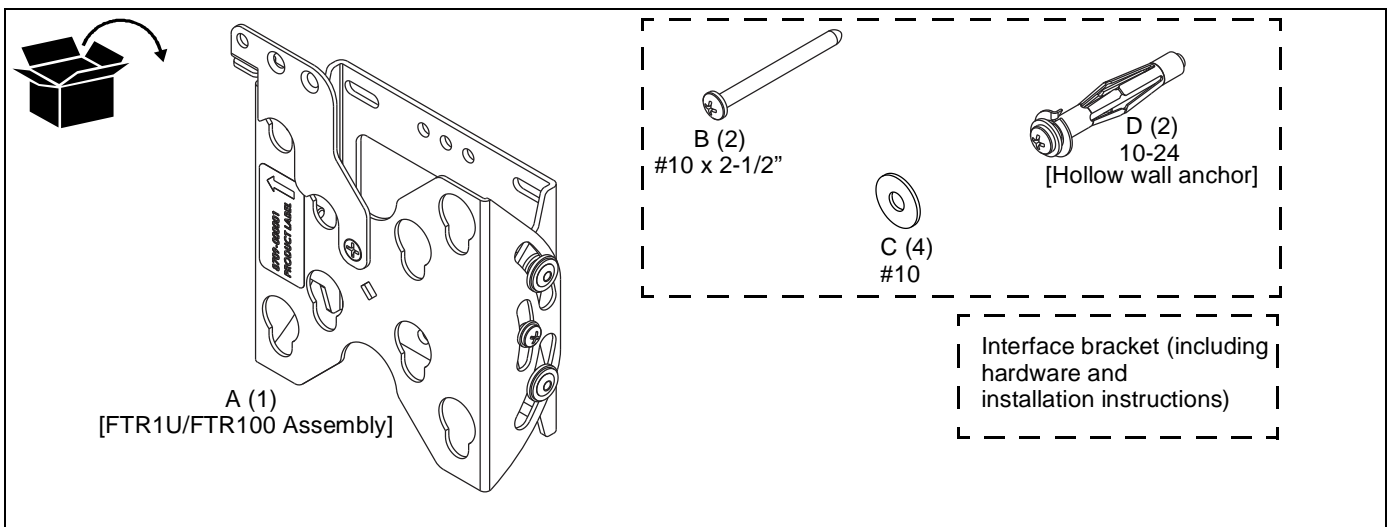
**LEGEND**

	<p><b>Tighten Fastener</b>                  Apretar elemento de fijación                  Befestigungsteil festziehen                  Apertar fixador                  Serrare il fissaggio                  Bevestiging vastdraaien                  Serrez les fixations</p>		<p><b>Pencil Mark</b>                  Marcar con lápiz                  Stiftmarkierung                  Marcar com lápis                  Segno a matita                  Potloodmerkteken                  Marquage au crayon</p>
	<p><b>Loosen Fastener</b>                  Aflojar elemento de fijación                  Befestigungsteil lösen                  Desapertar fixador                  Allentare il fissaggio                  Bevestiging losdraaien                  Desserrez les fixations</p>		<p><b>Drill Hole</b>                  Perforar                  Bohrloch                  Fazer furo                  Praticare un foro                  Gat boren                  Percez un trou</p>
	<p><b>Phillips Screwdriver</b>                  Destornillador Phillips                  Kreuzschlitzschraubendreher                  Chave de fendas Phillips                  Cacciavite a stella                  Kruiskopschroevendraaier                  Tournevis à pointe cruciforme</p>		<p><b>Hammer</b>                  Martillo                  Hammer                  Martelo                  Martello                  Hamer                  Marteau</p>

**TOOLS REQUIRED FOR INSTALLATION**



**PARTS**



## INSTALLATION

The FTR1U/FTR100 may be installed either centered on a single wood stud, or anchored to a single wood stud on one side, and to drywall (1/2" minimum thickness) on the other side.

The FTR1U/FTR100 allows a tilt range from +5° to -15°.

### Install Mount Centered to Single Wood Stud

1. Determine approximate mounting location, keeping in mind the display size.
2. Use a stud sensor to locate applicable wood stud. Mark location with a pencil.
3. Level FTR1U/FTR100 assembly (A) at desired height and, using it as a template, mark the location of upper and lower pilot holes. Ensure marks are in the center of wood stud.

**NOTE:** Mount can provide ±1/2" of lateral shift by using mount holes on either side of vertical center line.



**WARNING:** ELECTRICAL SHOCK HAZARD! Drilling into electrical wires or cables can cause DEATH or SERIOUS PERSONAL INJURY! ALWAYS make certain area behind mounting surfaces is free of electrical wires and cables before drilling or installing mount fasteners.

4. Drill pilot holes using a 1/8" drill bit. Ensure pilot holes are straight.
5. Fasten FTR1U/FTR100 assembly to wood stud using two #10 x 2-1/2" Phillips head screws (B) through two #10 washers (C), FTR1U/FTR100 assembly (A), and drywall (not shown) and install into pilot holes. (See Figure 1)

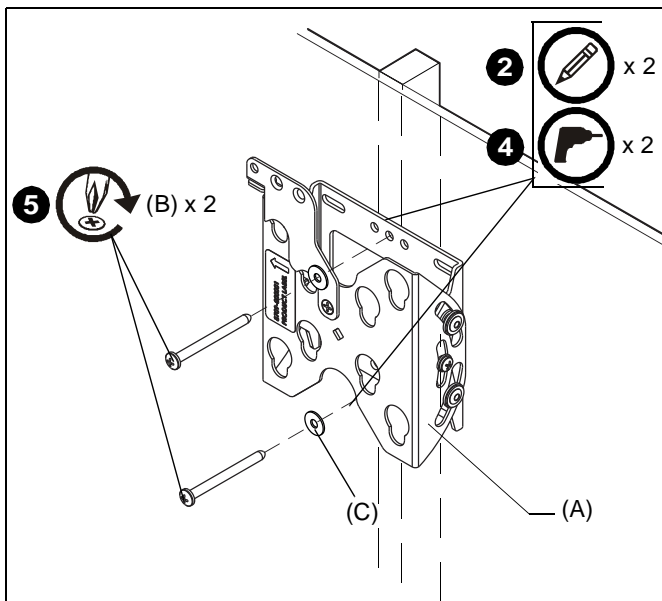


Figure 1

### Install Mount to a Single Wood Stud and Drywall



**WARNING:** Drywall must have a minimum thickness of 1/2" and a maximum thickness of 5/8". Do not install drywall anchors into the seam between drywall pieces.

1. Determine approximate mounting location, keeping in mind the display size.
2. Level FTR1U/FTR100 assembly (A) at desired height and, using it as a template, mark the location of the four anchor holes (one in each corner slot). (See Figure 2)

**IMPORTANT ! :** Two holes MUST be centered on a single wood stud.



**WARNING:** ELECTRICAL SHOCK HAZARD! Drilling into electrical wires or cables can cause DEATH or SERIOUS PERSONAL INJURY! ALWAYS make certain area behind mounting surfaces is free of electrical wires and cables before drilling or installing mount fasteners.

3. Drill 1/8" pilot holes in wood stud locations. Ensure pilot holes are straight. (See Figure 2)
4. Drill 3/8" anchor holes in the other two marked locations. Ensure holes are straight and completely through drywall. (See Figure 2)

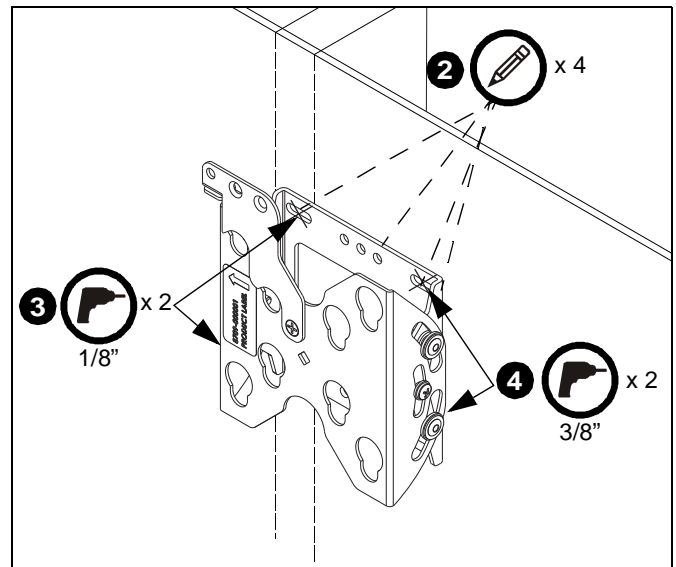


Figure 2

- Gently tap two anchors (D) into anchor holes. Anchor barbs should be fully engaged in drywall. (See Figure 3) and (See Figure 4)

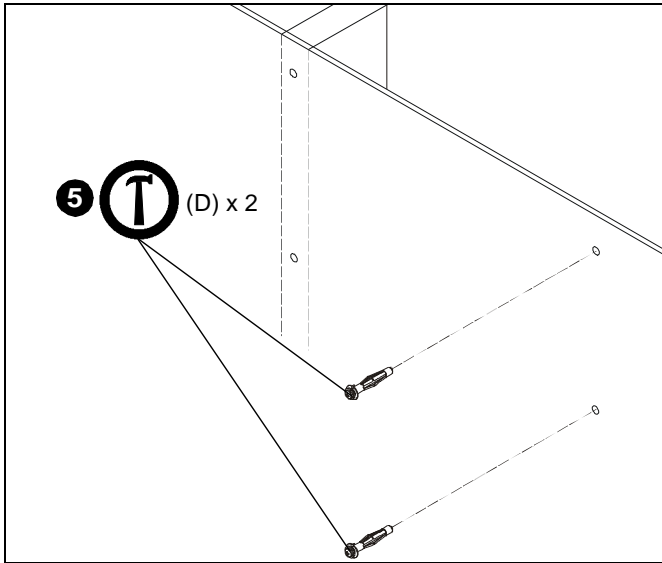


Figure 3

- Using Phillips screwdriver, tighten anchor screw until anchor has fully collapsed against back side of drywall. (See Figure 4)

**NOTE:** Anchor screw will feel tight until anchor begins to collapse. Screw will then turn easier for many turns. Screw will feel tight when anchor has fully collapsed.

- Remove and save anchor screws from anchors (D).

**NOTE:** Anchors (D) may come with small washers which should be discarded.

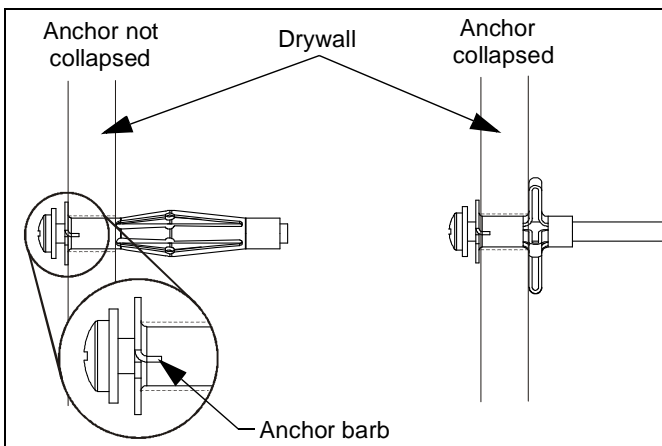


Figure 4

- Insert anchor screws through two #10 washers (C), FTR1U/FTR100 assembly (A) and install into collapsed anchors (D). (See Figure 5)
- Install two #10 x 2 1/2" Phillips tapping screws (B) through two #10 washers (C), FTR1U/FTR100 assembly (A) and into wood stud. (See Figure 5)

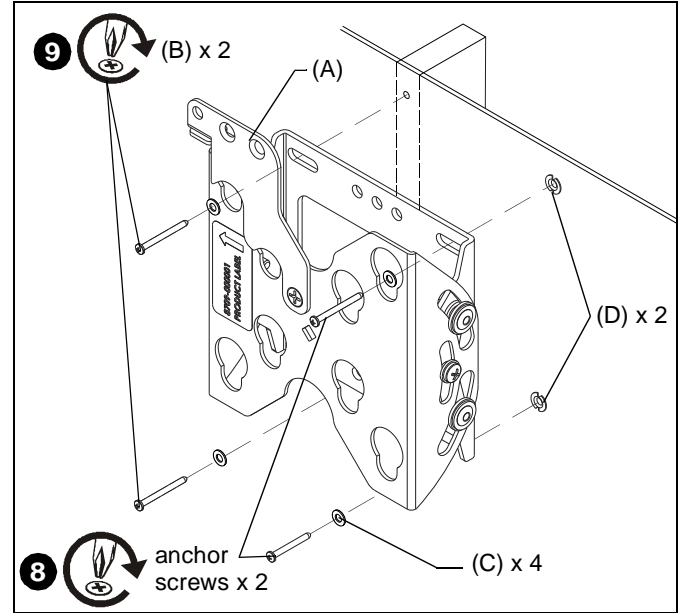


Figure 5

**Install Display to Mount**

**NOTE:** Attach interface bracket to display following instructions included with interface bracket.

- Open latching flag by rotating flag clockwise on FTR1U/FTR100 assembly (A). (See Figure 6)

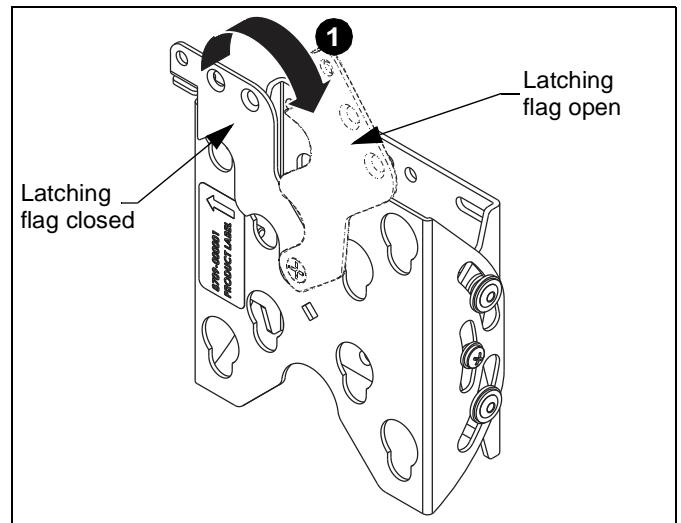


Figure 6

2. Lift and maneuver display such that all mounting buttons fit into openings on FTR1U/FTR100 assembly (A). (See Figure 7)
3. Lower display firmly into place. Ensure each mounting button has fully seated in the opening. (See Figure 7)
4. Close latching flag by rotating flag counterclockwise on FTR1U/FTR100 assembly (A). (See Figure 7)

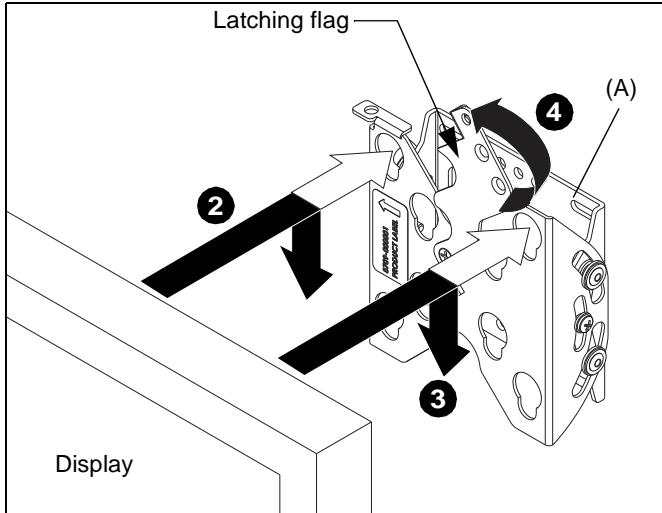


Figure 7

**NOTE:** Example shows mounting display in the 100mm x 100mm pattern. FTR1U/FTR100 assembly (A) will also accommodate a 75mm x 75mm pattern. (See Figure 8)

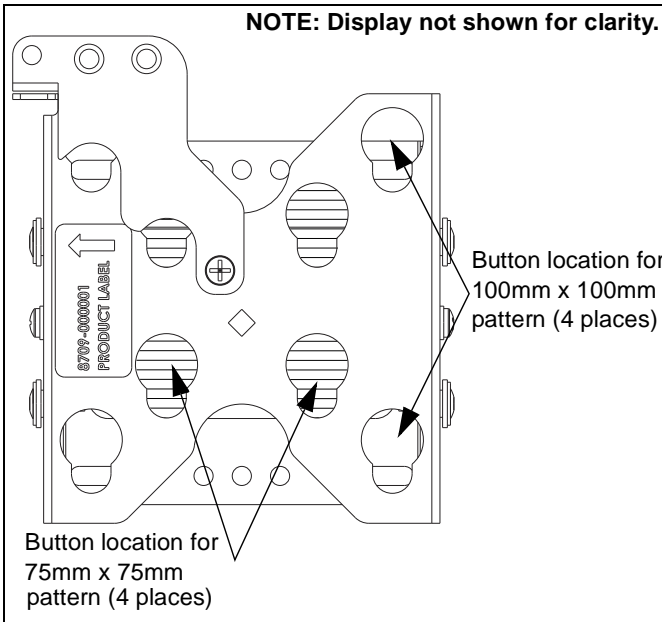


Figure 8

**NOTE:** An optional padlock may be used to secure latching flag in place. (See Figure 9)

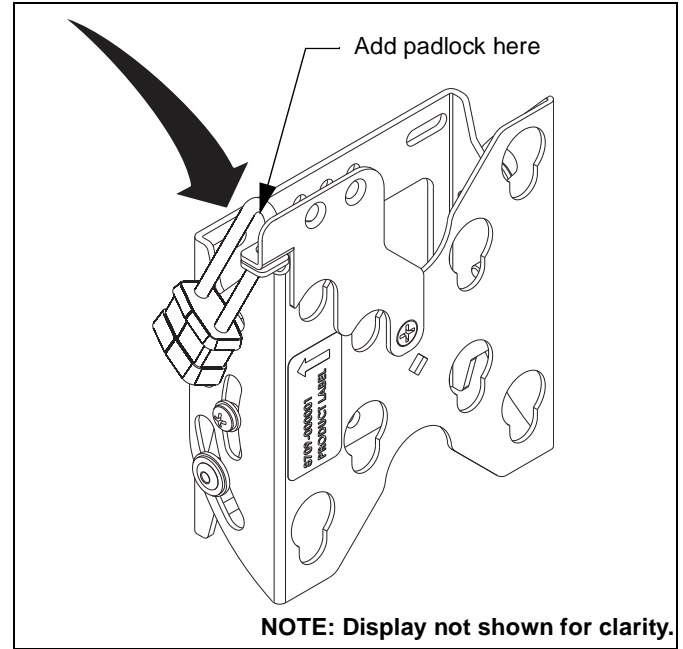


Figure 9

5. Connect cables to display as required.

**Adjusting Tilt**

1. Loosen adjusting screws on each side of display (See Figure 10).
2. Adjust tilt as desired.
3. Tighten adjusting screws.

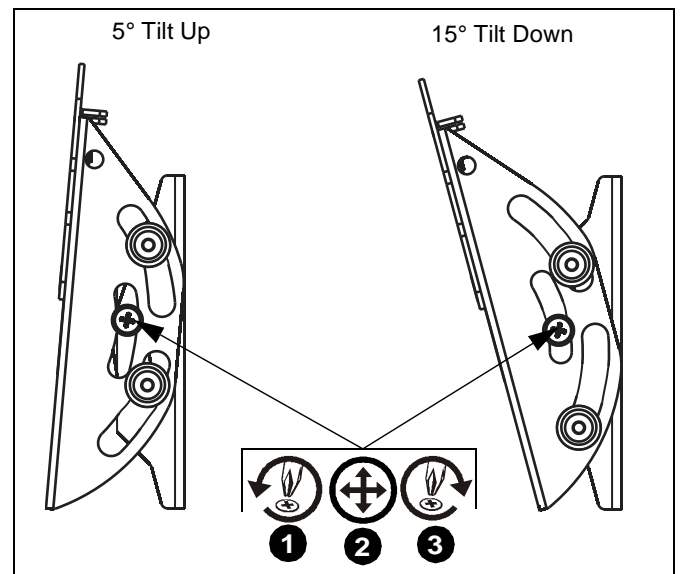


Figure 10



Our Mounts. **Your Vision.**

Chief, a products division of  
Milestone AV Technologies

8800-002877 Rev02  
©2017 Milestone AV Technologies  
[www.milestone.com](http://www.milestone.com)  
08/17

<b>USA/International</b>	<b>A</b> 6436 City West Parkway, Eden Prairie, MN 55344 <b>P</b> 800.582.6480 / 952.225.6000 <b>F</b> 877.894.6918 / 952.894.6918
<b>Europe</b>	<b>A</b> Franklinstraat 14, 6003 DK Weert, Netherlands <b>P</b> +31 (0) 495 580 852 <b>F</b> +31 (0) 495 580 845
<b>Asia Pacific</b>	<b>A</b> Office No. 918 on 9/F, Shatin Galleria 18-24 Shan Mei Street Fotan, Shatin, Hong Kong <b>P</b> 852 2145 4099 <b>F</b> 852 2145 4477

