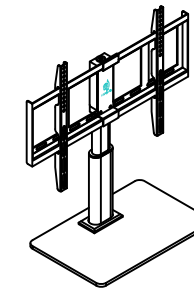
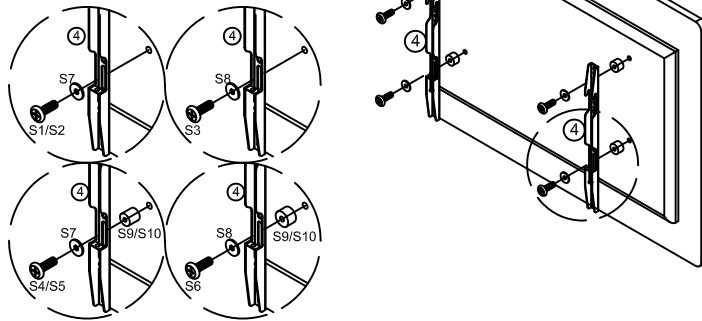


7

Attach Vertical TV Brackets

Ensure that your TV Brackets (4) are level and centered on the back of the TV. Install using the TV screw/washer/spacer configuration you selected for your TV. CAUTION: Avoid potential personal injuries and property damage! DO NOT use power tools for this step. Tighten the TV screws only enough to secure the TV brackets (4) to the TV. DO NOT overtighten the TV screws.

S1	M4x12mm		4
S2	M6x12mm		4
S3	M8x15mm		4
S4	M4x32mm		4
S5	M6x32mm		4
S6	M8x45mm		4
S7	Ø19xØ8.2mm		4
S8	Ø19xØ8.2mm		4
S9	Ø25x5mm		8
S10	Ø25x13mm		8



Model HN-TVS02
For 32"-60" TVs
60 LBS(27.2kg)

WARNING

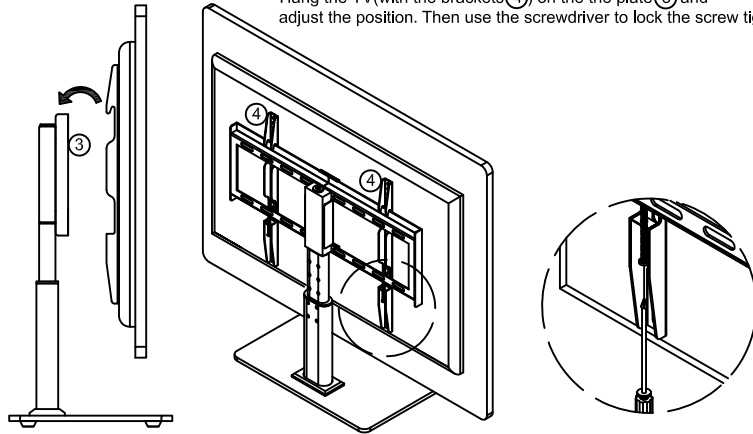
1. This product contains small items that could be a choking hazard if swallowed. Before starting assembly, verify all parts are included and undamaged. If any parts are missing or damaged, do not return the damaged item to your dealer; contact Customer Service. Never use damaged parts!
2. Exceeding the weight capacity can result in serious personal injury or damage to equipment! It is the installer's responsibility to make sure the combined weight of the HN-TVS02 and the display does not exceed 27.2 kg (60 lbs). Use with heavier televisions may result in instability causing tip over resulting in death or serious injury!
3. Use this mounting system only for its intended use as described in these instructions. Do not use attachments not recommended by the manufacturer.
4. Relocating audio and/or video equipment to furniture not specifically designed to support audio and/or video equipment may result in death or serious injury due to the furnishing collapsing or overturning onto a child.

For any parts enquiries, please contact AV Supply Group as below:
New Zealand P 64 9 274 9172 E info@avsupply.co.nz
Australia P 61 3 9071 4585 E info@avsupplygroup.com.au

8

Hang TV onto Stand

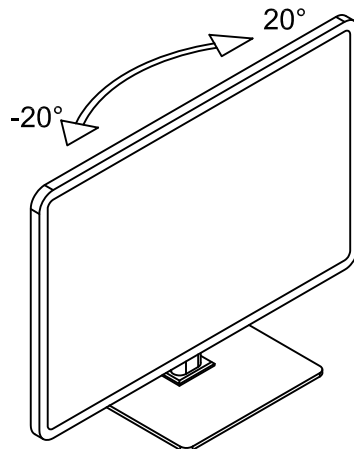
Hang the TV (with the brackets (4)) on the the plate (3) and adjust the position. Then use the screwdriver to lock the screw tight.



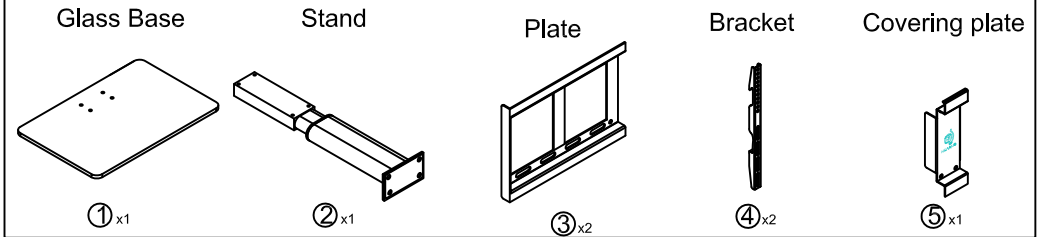
9

Swivel: -20° to 20°

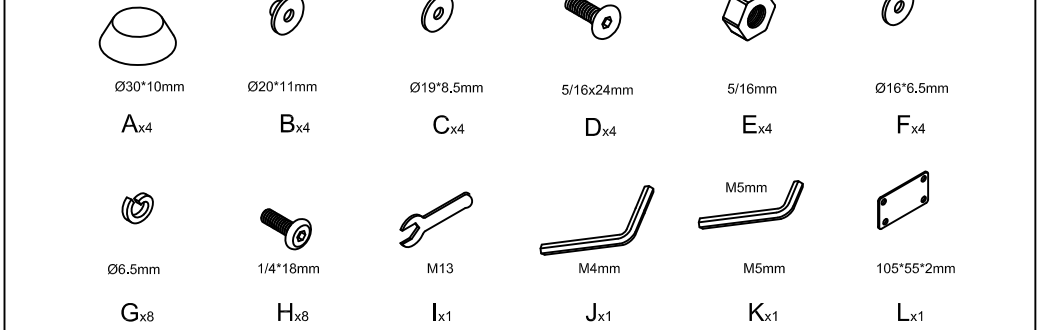
Swivel to the desired angle.



Supplied Parts and Hardware

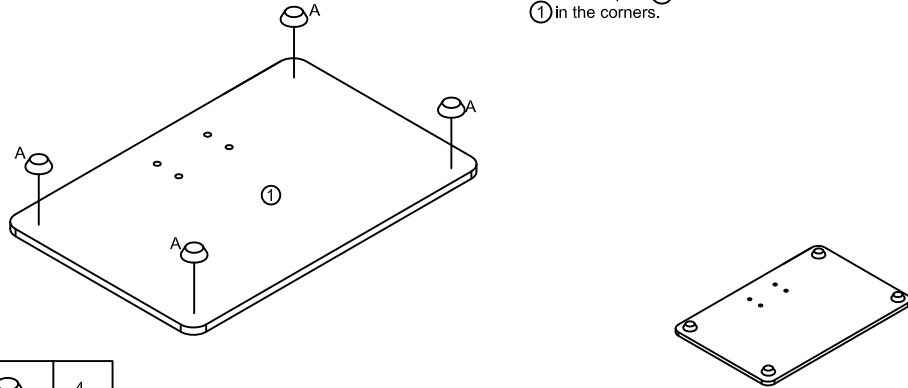


Parts and Hardware



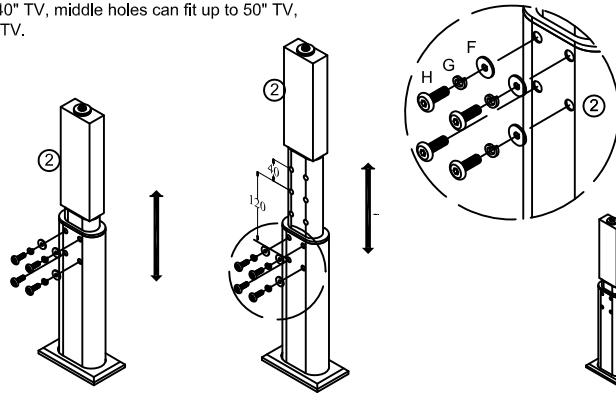
1 Assemble Stand

Place foot pads **A** on the bottom of the base **1** in the corners.



A		4
---	--	---

2 Screw the four screws **H**, **G**, **F** to the stand **2** using the hex key **J**. Before mounting the TV, adjust the stand to the desired height. The bottom holes can fit up to 40" TV, middle holes can fit up to 50" TV, and top holes can fit up to 60" TV.

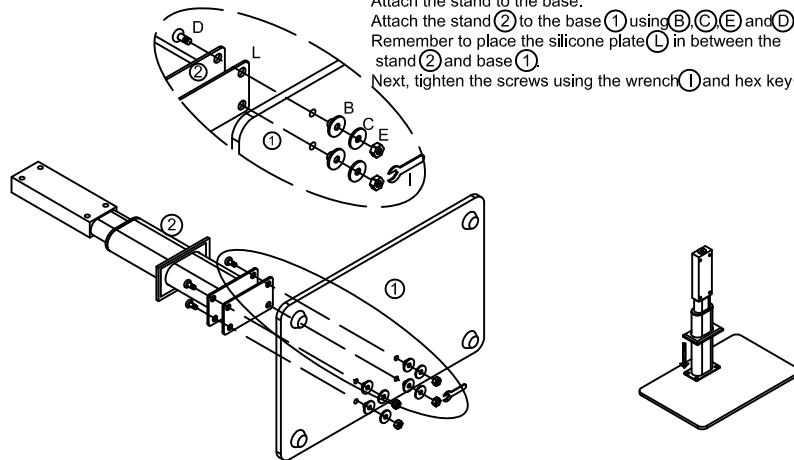


F		4
G		4
H		4
J		1

M4mm

3

Attach the stand to the base. Attach the stand **2** to the base **1** using **B**, **C**, **E** and **D**. Remember to place the silicone plate **L** in between the stand **2** and base **1**. Next, tighten the screws using the wrench **I** and hex key **K**.

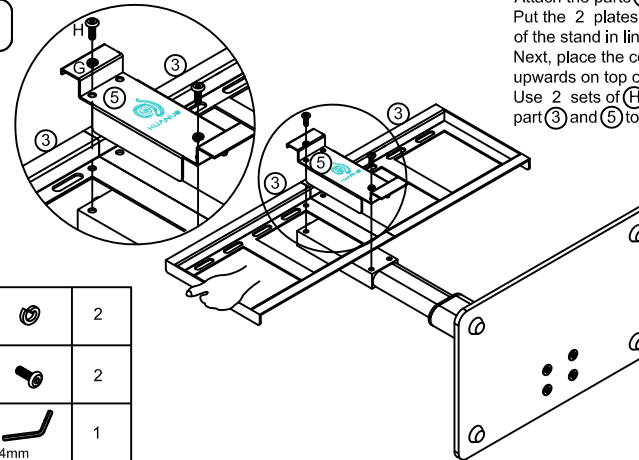


B		4
C		4
D		4
E		4
I		1
K		1
L		1

M5mm

4

Attach the parts **3** and **5** to **2**. Put the 2 plates **3** next to each other on top of the stand in line with the screw holes. Next, place the covering plate **5** with the LOGO facing upwards on top of the plates **3** in line with the screw holes. Use 2 sets of **H**, **G** and hex key **J** to tighten the left part **3** and **5** together.

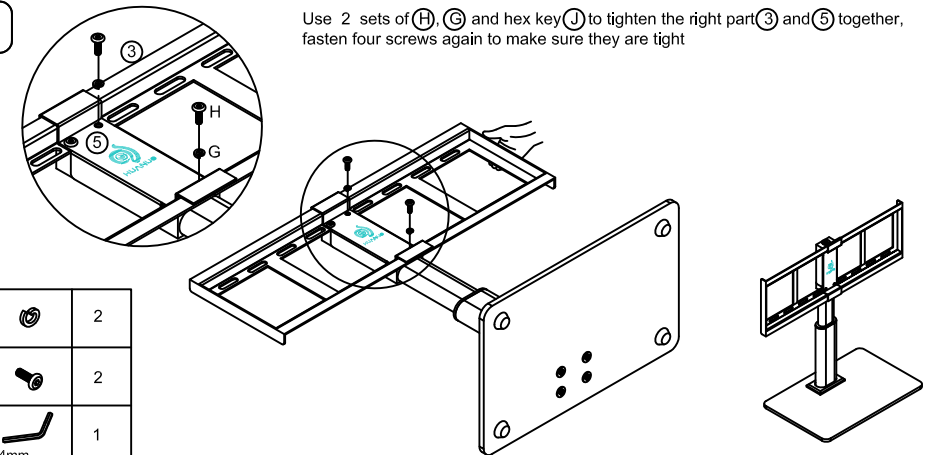


G		2
H		2
J		1

M4mm

5

Use 2 sets of **H**, **G** and hex key **J** to tighten the right part **3** and **5** together, fasten four screws again to make sure they are tight.



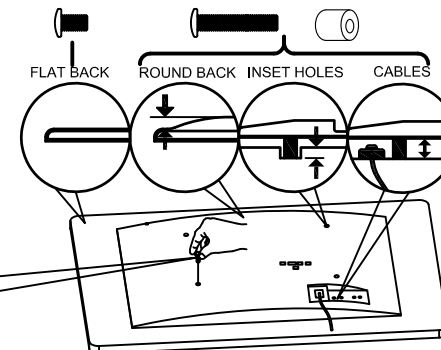
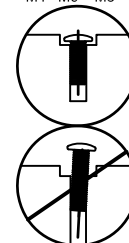
G		2
H		2
J		1

M4mm

6

Select TV Screw Length
If your TV has a flat back, use the shorter TV screws.
Spacers and longer TV screws are supplied to accommodate:
irregular/round back TVs
TVs with inset mounting holes
Extra space needed for cables

Select TV Screws Diameter
Hand thread TV screws into the threaded inserts on the back of your TV to determine which screw diameter (M4, M6, or M8) to use.
Select TV Screw Length
○ M4 ○ M6 ○ M8



CAUTION:
Verify adequate thread engagement with the screw or screw/spacer combination.
-Too short will not hold the TV.
-Too long will damage the TV

