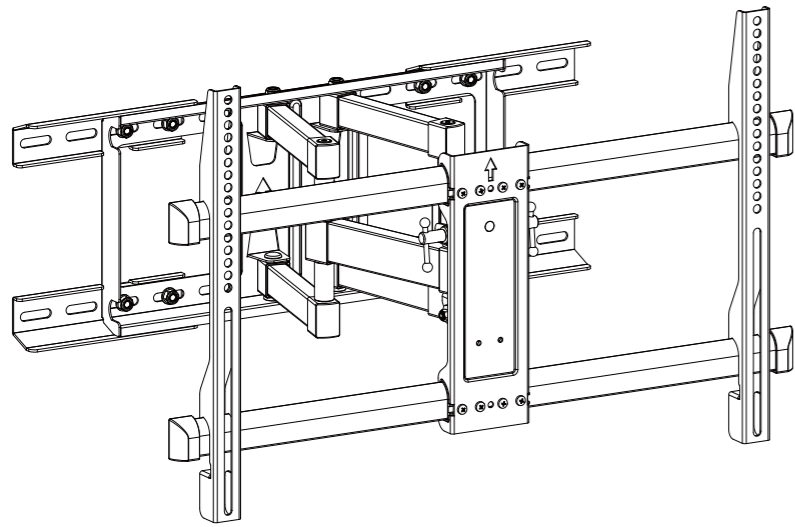


# LARGE FULL-MOTION TV WALL MOUNT

for most 37" to 70" TVs up to 132 lbs



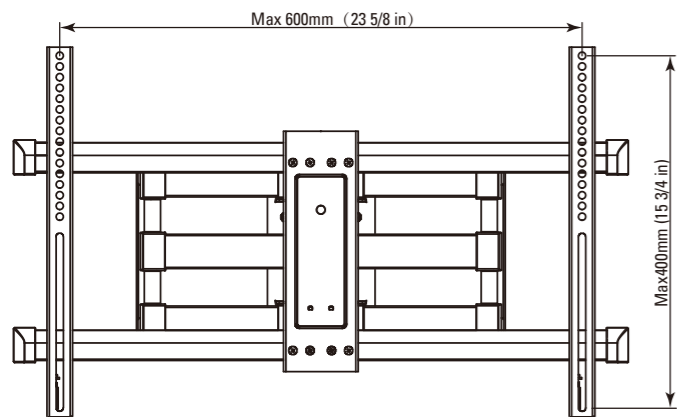
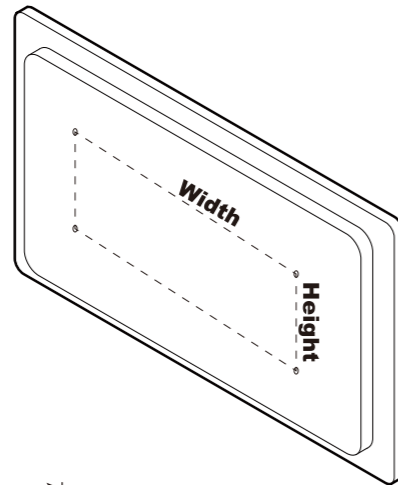
For any parts enquiries, please contact AV Supply Group as below:  
New Zealand: P 64 9 274 9172 E info@avsupply.co.nz  
Australia: P 61 3 9071 4585 E info@avsupplygroup.com.au

Model: PSLFK1-24

## STEP 1 Check the VESA pattern of your TV

Measure the distance between the holes located at the back of your TV (these measures may form the shape of a square, or a rectangle) and check that these taken measures are within the VESA(\*) range for this wall mount.

(\*) VESA: International standard established by the TV manufacturers used to determine if LCD / LED TVs are compatible with wall mounts.



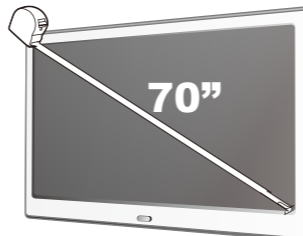
75 mm ≈ 2 7/8 in  
100 mm ≈ 4 in  
200 mm ≈ 7 7/8 in  
300 mm ≈ 11 3/4 in  
400 mm ≈ 15 3/4 in  
600 mm ≈ 23 5/8 in

- WARNING!**
- \* WARNING! SEVERE PERSONAL INJURY AND PROPERTY DAMAGE CAN RESULT FROM IMPROPER INSTALLATION OR ASSEMBLY. READ THE FOLLOWING WARNINGS BEFORE BEGINNING.
  - \* If you do not understand the instructions or have any concerns or questions, please contact a qualified installer.
  - \* Do not install or assemble if the product or hardware is damaged or missing. Not all parts and hardware included must be used. For any parts enquiries, please contact AV Supply Group as below: New Zealand: P 64 9 274 9172 E info@avsupply.co.nz Australia: P 61 3 9071 4585 E info@avsupplygroup.com.au
  - \* This product has been designed for use on a vertical wall constructed of wood studs. Wood studs being defined as a wall consisting of a minimum of 2" x 4" studs with a maximum of 24" stud spacing with a maximum of 1/2" of wall covering (drywall, lath, plaster). For custom installations please contact a qualified installer. For safe installation, the wall you are mounting to must support 4 times the weight of the total load. If not, the surface must be reinforced to meet this standard. The installer is responsible for verifying that the wall structure/surface will safely support the total load.
  - \* This product may contain moving parts. Use with caution.
  - \* DO NOT EXCEED THE MAXIMUM WEIGHT CAPACITY FOR THIS PRODUCT.

## WEIGHT CAPACITY



**CAUTION!**



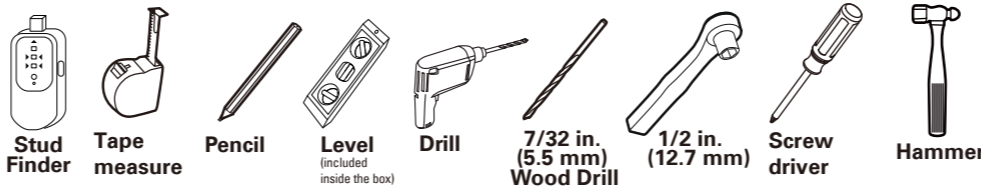
MAXIMUM SCREEN SIZE



MAXIMUM WEIGHT CAPACITY

USE WITH PRODUCTS LARGER THAN THE MAXIMUM WEIGHT AND SIZE MAY RESULT IN INSTABILITY CAUSING POSSIBLE INJURY. USER MUST REMOVE TELEVISION OR OBJECT OFF THE BRACKET BEFORE ADJUSTING. NOT SUITABLE FOR A TV THAT SURPASSES THE TELEVISION MAXIMUM WEIGHT CAPACITY AND RECOMMENDED DIAGONAL MEASURED TV SIZE!

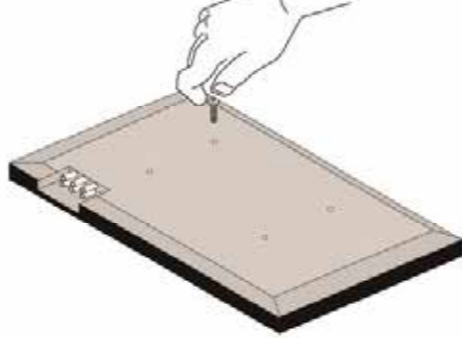
## Tools Needed



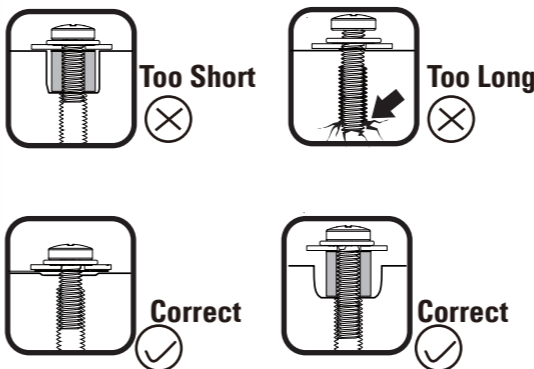
## STEP 2 Install TV bracket

### Check TV screws

Please select the proper screw length for your TV by hand tightening to check your plate panel thread depth.

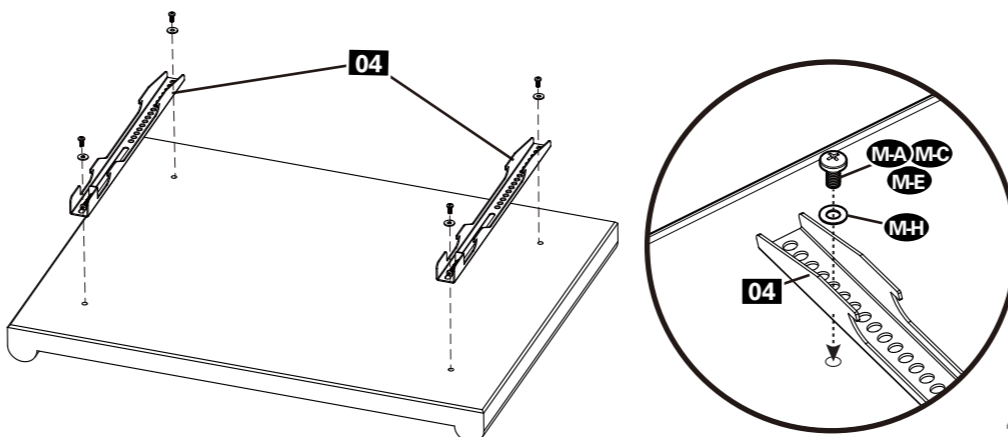


When attaching brackets to the flat screen, be careful not to over tighten screws and be sure that screws do not bottom out in the mounting holes.



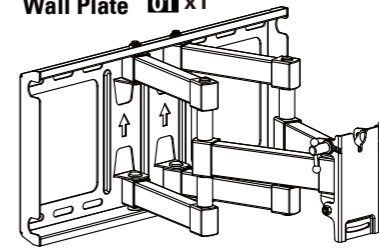
## STEP 2A Flat back TV (Universal monitor plate)

Connect TV Brackets to back of TV

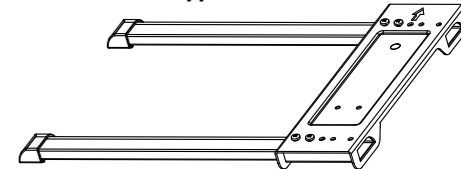


## Hardware Included

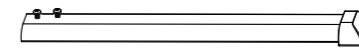
Arm and Wall Plate 01 x1



Front Support 02 x1



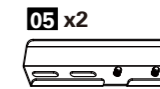
Arm Extensions 03 x2



TV Bracket 04 x2



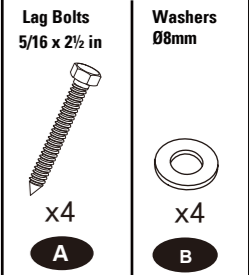
Wall Extension A 05 x2



Wall Extension B 06 x2



Hardware (Wall)

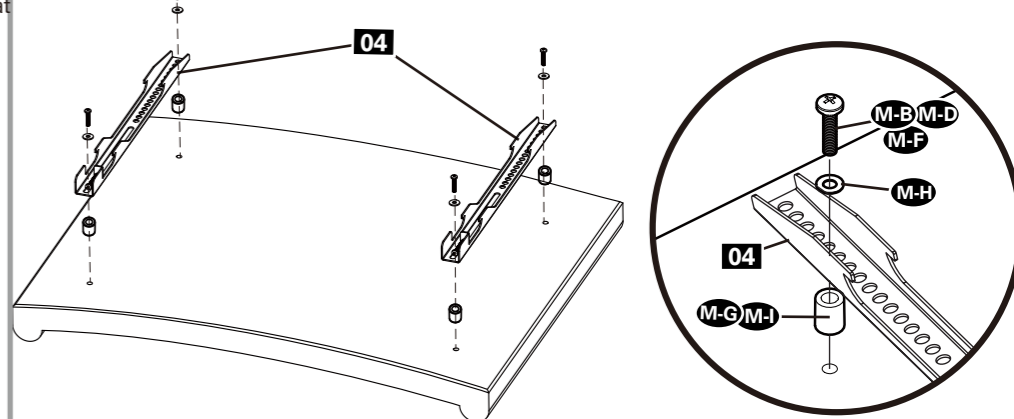


## TV Screws / Washers

Philips Screws M4 x 12mm M4 x 30mm	Philips Screws M6 x 15mm M6 x 30mm	Philips Screws M8 x 15mm M8 x 45mm	Spacers L10mm	Washers Ø6mm M4-5-6	Spacers L5mm	Hardware (Wall extensions)
x4 M-A	x4 M-B	x4 M-C	x4 M-D	x4 M-E	x4 M-F	Nuts M8 x8 C
			x8 M-G	x4 M-H	x8 M-I	Washers Ø8mm x8 D

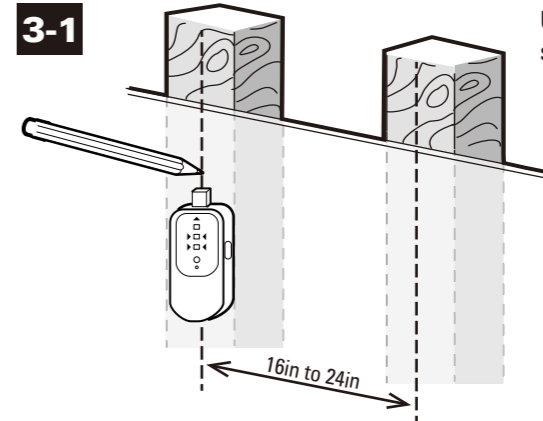
## STEP 2B Round back TV (Universal monitor plate)

Connect TV brackets to back of TV



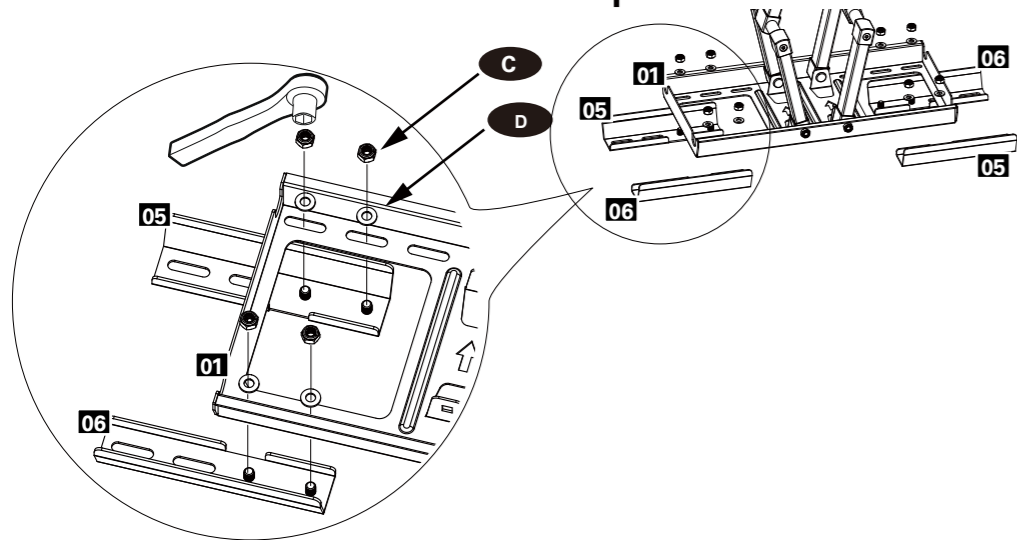
## STEP 3 Wall Plate Install

3-1



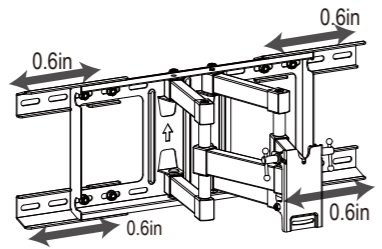
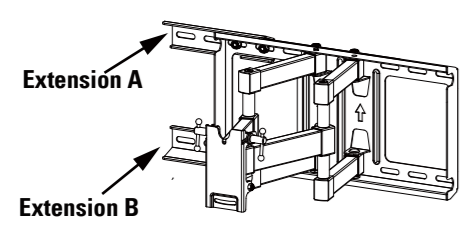
Use a stud finder (not included) to locate wood studs. Mark the edge and center locations.

### 3-2 Attach the Extensions to the wall plate



for studs with the sapce between 16.5" to 18"

for 18" to 24" space studs



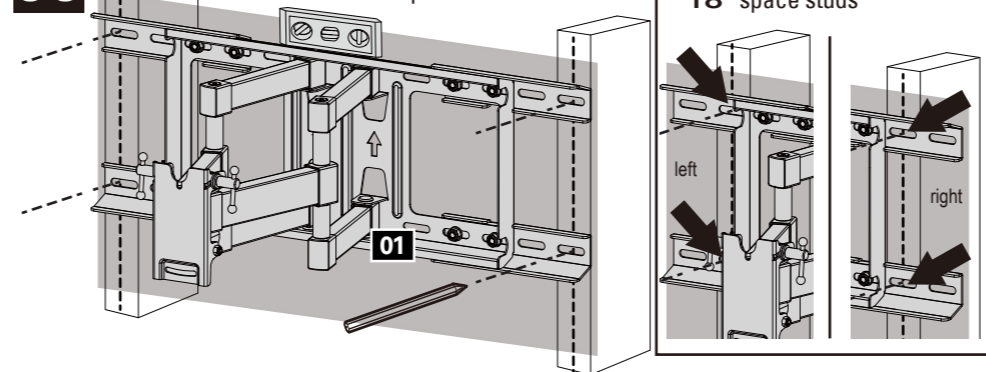
only one side need to attach each of extensions A and B

the wall plate extensions can be moved 0.6" for both side if necessary.

### 3-3

Use wall plate to mark mounting location x4 locations for 24" space studs.

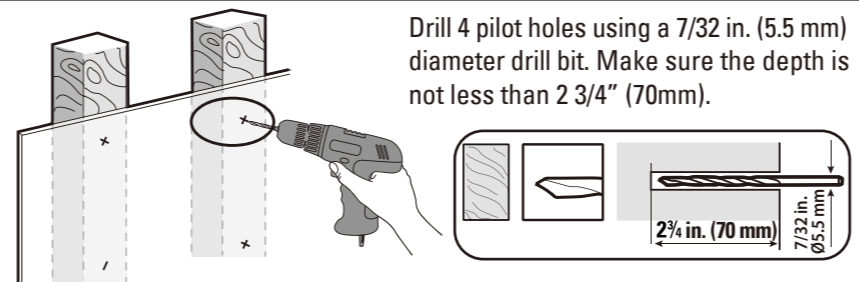
mark the 4 inside holes for 18" space studs



Holes pattern for 16.5" to 18" space studs

### 3-4

Drill 4 pilot holes using a 7/32 in. (5.5 mm) diameter drill bit. Make sure the depth is not less than 2 3/4" (70mm).

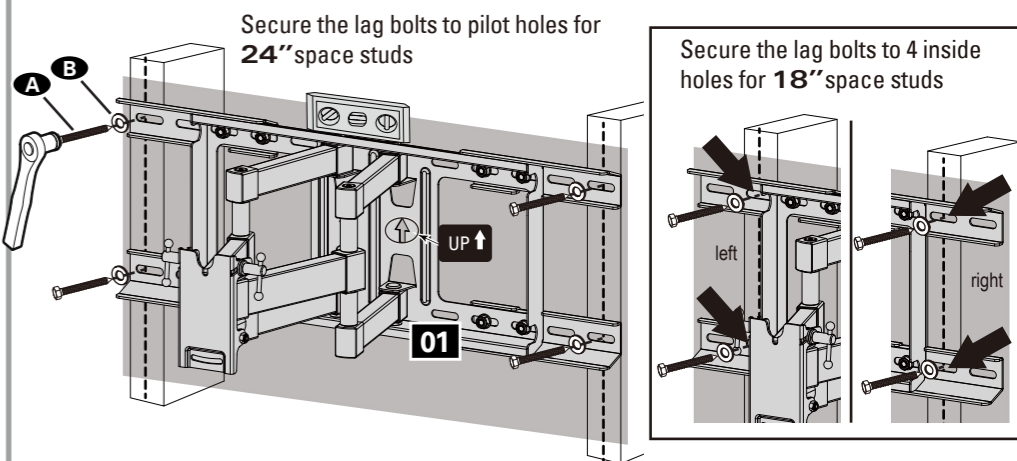


### 3-5

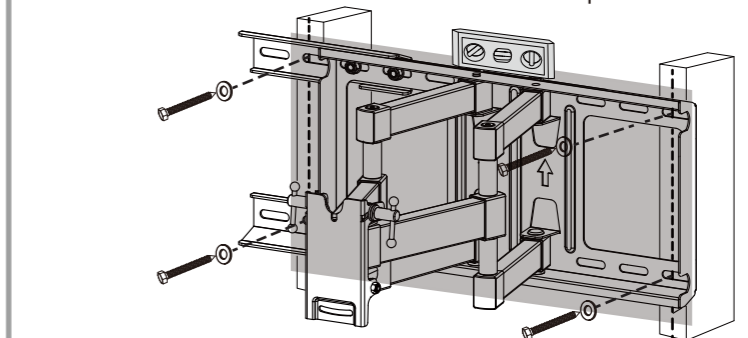
Mount wall plate using 4 sets of 5/16 lag bolts **A** and washers **B** with a 1/2 in. socket wrench (not included).

Secure the lag bolts to pilot holes for 24" space studs

Secure the lag bolts to 4 inside holes for 18" space studs



Secure the lag bolts to 4 inside holes for 16.5" to 18" space studs



**CAUTION:** Ensure the wall plate is securely fastened to the wall before continuing on to the next step.

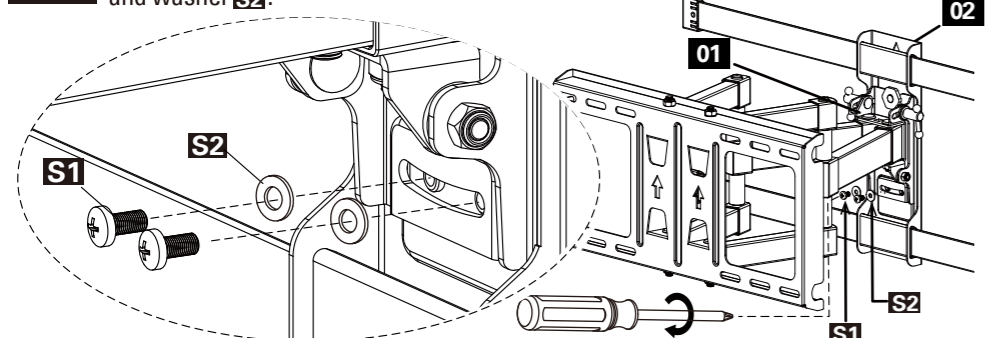
## STEP 4 Install arm extensions then fasten it

**4-1** Remove the pre-assembled screws **S4** from the extensions **03** and save them to use.

**4-2** Insert the extensions **03** into the **02**

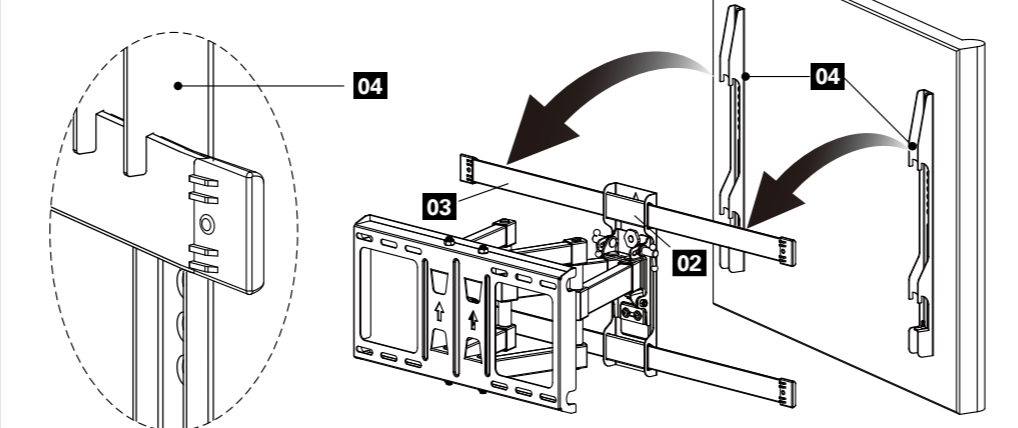
**4-3** Fasten the Screws **S4** x4 removed from extensions **03**.

**4-4** Hang 02 and 03 onto 01, and using Screwdriver secure with pre-assembled screws **S1** and washer **S2**.



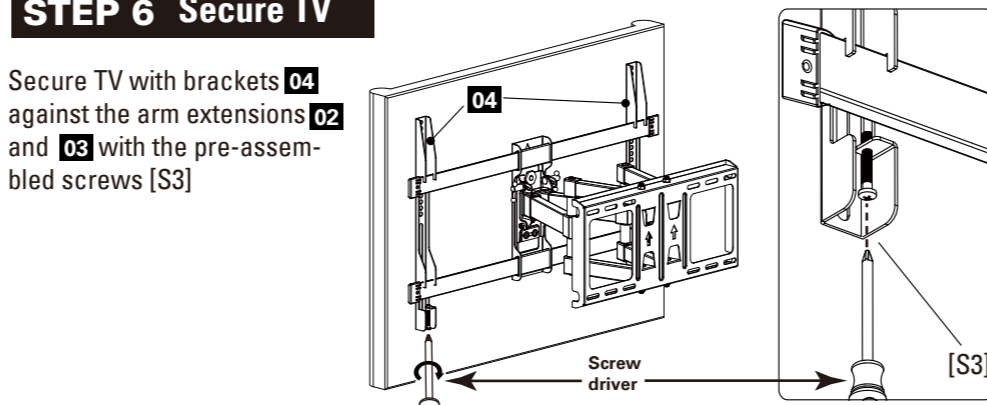
## STEP 5 Hang TV

Hang TV with brackets **04** onto the arm extensions **02** and **03**.



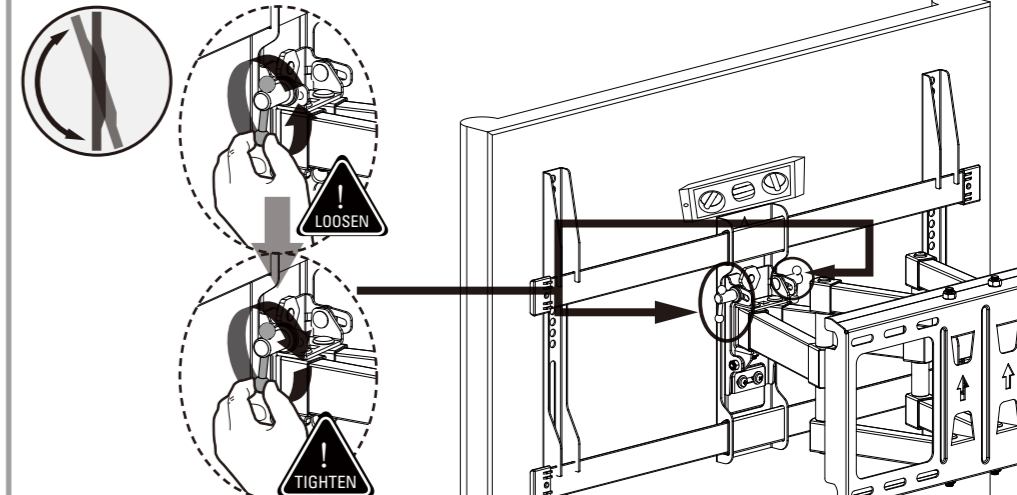
## STEP 6 Secure TV

Secure TV with brackets **04** against the arm extensions **02** and **03** with the pre-assembled screws **[S3]**



## STEP 7 Tilt adjustment

To adjust the tilt in both sides, loosen both tilt levers and move panel to desired position. Tighten both tilt levers to hold desired tilt.



## STEP 8 Level adjustment

If needed, the TV can be leveled +/-3 degrees.

