

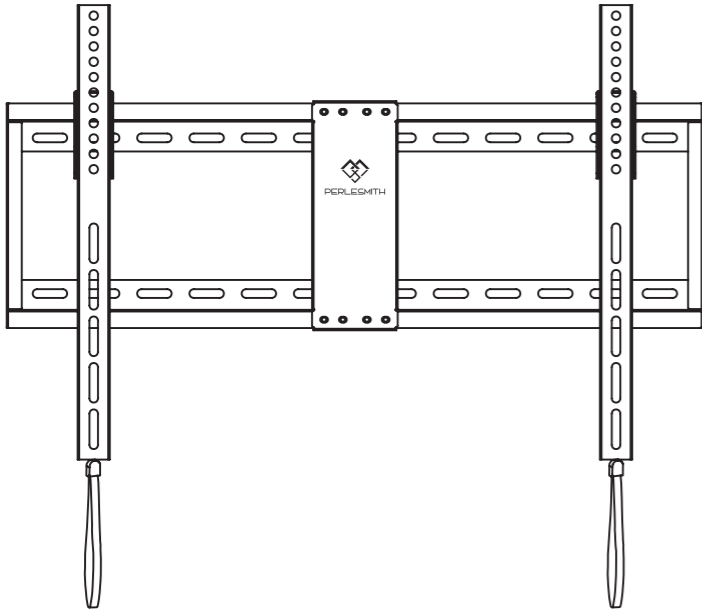
LARGE TILTING TV WALL MOUNT

V1



PERLESMITH

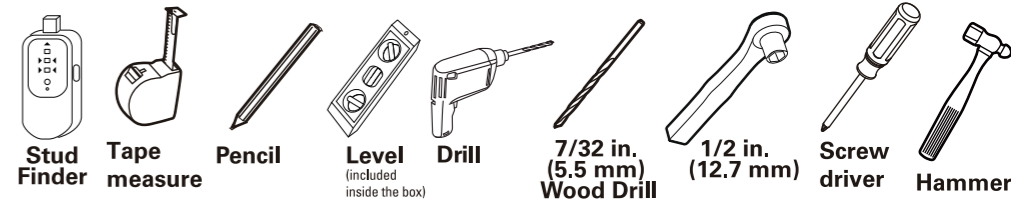
for most 32" to 70" TVs
up to 132 lbs



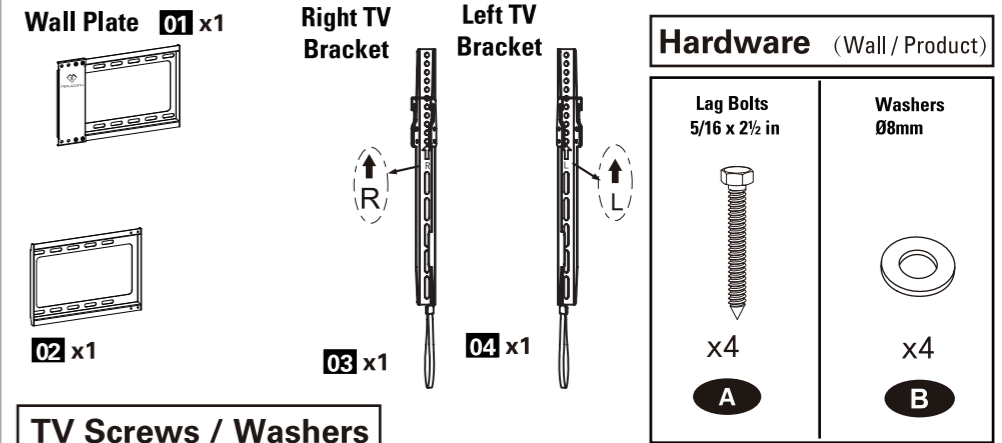
WARNING! SEVERE PERSONAL INJURY AND PROPERTY DAMAGE CAN RESULT FROM IMPROPER INSTALLATION OR ASSEMBLY. READ THE FOLLOWING WARNINGS BEFORE BEGINNING.

- * If you do not understand the instructions or have any concerns or questions, please contact a qualified installer.
- * Do not install or assemble if the product or hardware is damaged or missing. Not all parts and hardware included must be used. For any parts enquiries, please contact AV Supply Group as below: New Zealand: P 64 9 274 9172 E info@avsupply.co.nz Australia: P 61 3 9071 4585 E info@avsupplygroup.com.au
- * This product has been designed for use on a vertical wall constructed of wood studs. Wood studs being defined as a wall consisting of a minimum of 2" x 4" studs with a maximum of 24" stud spacing with a maximum of 1/2" of wall covering (drywall, lath, plaster). For custom installations please contact a qualified installer. For safe installation, the wall you are mounting to must support 4 times the weight of the total load. If not, the surface must be reinforced to meet this standard. The installer is responsible for verifying that the wall structure/surface will safely support the total load.
- * This product may contain moving parts. Use with caution.
- * **DO NOT EXCEED THE MAXIMUM WEIGHT CAPACITY FOR THIS PRODUCT.**
- * Please check www.perlesmith.com for more products and company information.

Tools Needed



Hardware Included



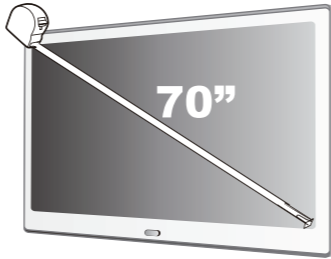
TV Screws / Washers

Philips Screws M4 x 12mm M4 x 30mm	Philips Screws M5 x 12mm M5 x 30mm	Philips Screws M6 x 15mm M6 x 30mm	Philips Screws M8 x 15mm M8 x 30mm	Spacers L10mm	Washers Ø6mm M4-5-6	Spacers L5mm
 x4	 x4	 x4	 x4	 x4	 x4	 x8
M-A	M-B	M-C	M-D	M-E	M-F	M-G
M-H	M-I	M-J	M-K			

WEIGHT CAPACITY



CAUTION!



MAXIMUM SCREEN SIZE



MAXIMUM WEIGHT CAPACITY

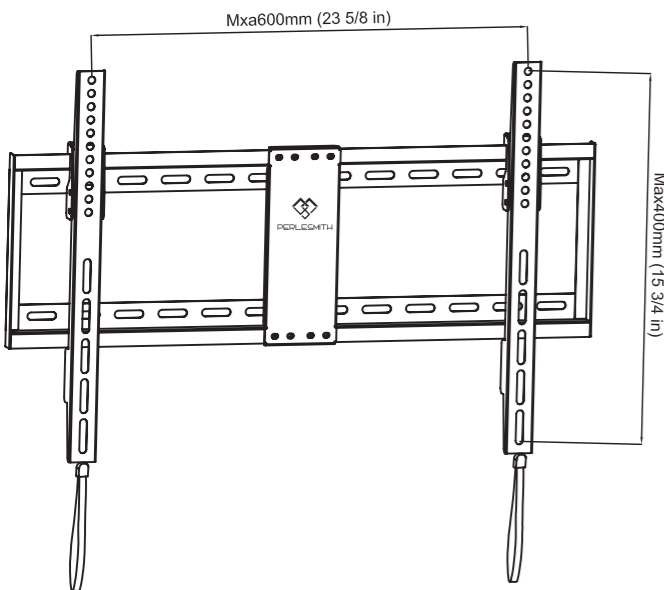
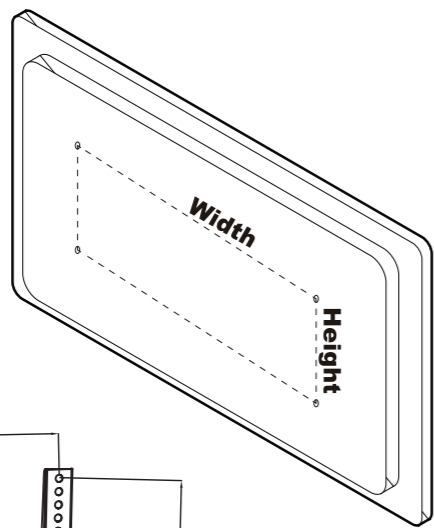
USE WITH PRODUCTS LARGER THAN THE MAXIMUM WEIGHT AND SIZE MAY RESULT IN INSTABILITY CAUSING POSSIBLE INJURY. USER MUST REMOVE TELEVISION OR OBJECT OFF THE BRACKET BEFORE ADJUSTING. IF THE PRODUCT IS A TELEVISION MAXIMUM WEIGHT CAPACITY SUPERSEDES / OUTPLACES RECOMMENDED DIAGONAL MEASURED TELEVISION SIZE!!

Model: PSLTK1

For any parts enquiries, please contact AV Supply Group as below:
New Zealand: P 64 9 274 9172 E info@avsupply.co.nz
Australia: P 61 3 9071 4585 E info@avsupplygroup.com.au

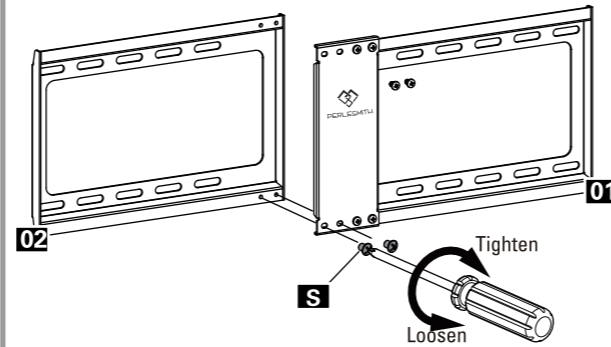
STEP 1 Check the VESA pattern of your TV

Measure the distance between the holes located at the back of your TV (these measures may form the shape of a square, or a rectangle) and check that these taken measures are within the VESA(*) range for this wall mount. (*) VESA: International standard established by the TV manufacturers used to determine if LCD / LED TVs are compatible with wall mounts.



75 mm	≈ 2 7/8 in
100 mm	≈ 4 in
200 mm	≈ 7 7/8 in
300 mm	≈ 11 3/4 in
400 mm	≈ 15 3/4 in
600 mm	≈ 23 5/8 in

STEP 2 Assemble Wall plate

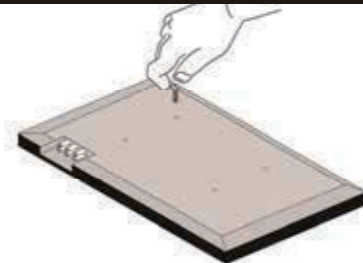


Remove the connection screws **S** x4, and Assemble the wall plate sections **01** and **02** with the removed connection plate screws **S** x4.

STEP 3 Install TV bracket

Check TV screws

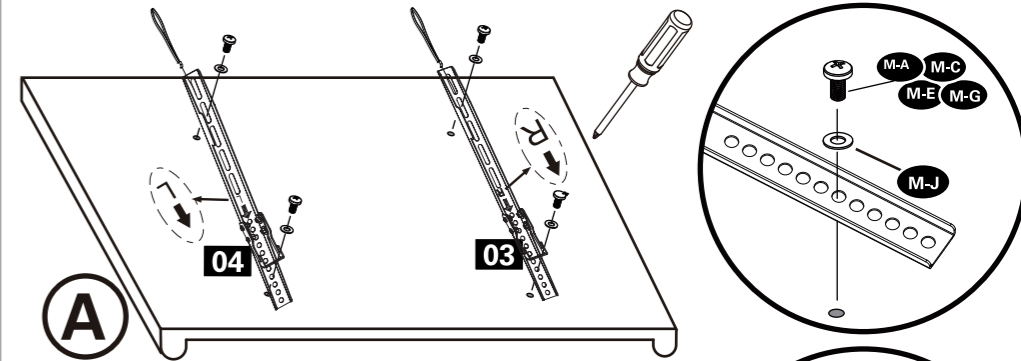
Please select the proper screw length for your TV by hand tightening to check your plate panel thread depth.



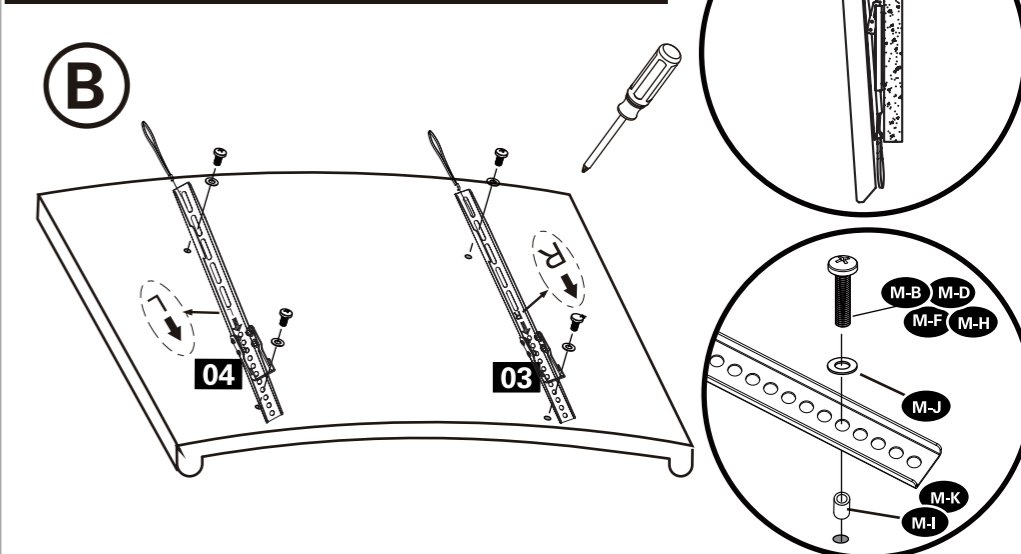
When attaching brackets to the flat screen be careful not to over tighten screws and be sure that screws do not bottom out in the mounting holes.



STEP 3A FLAT BACK TV (UNIVERSAL MONITOR PLATE)



STEP 3B ROUND BACK TV (UNIVERSAL MONITOR PLATE)

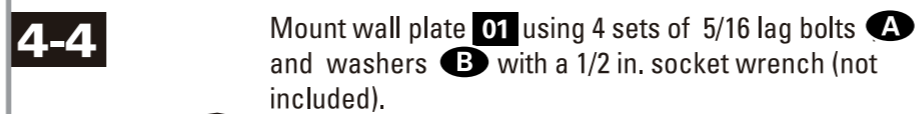
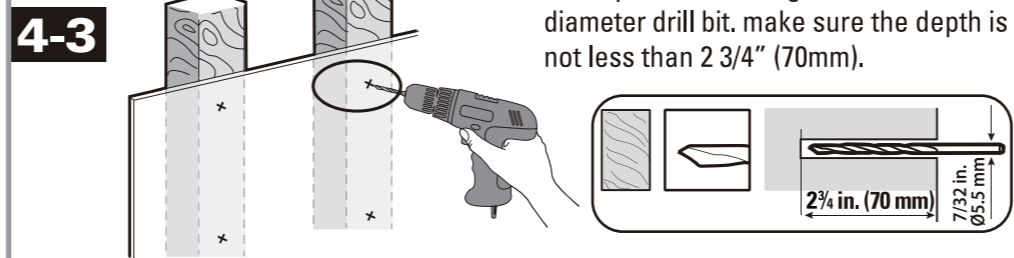
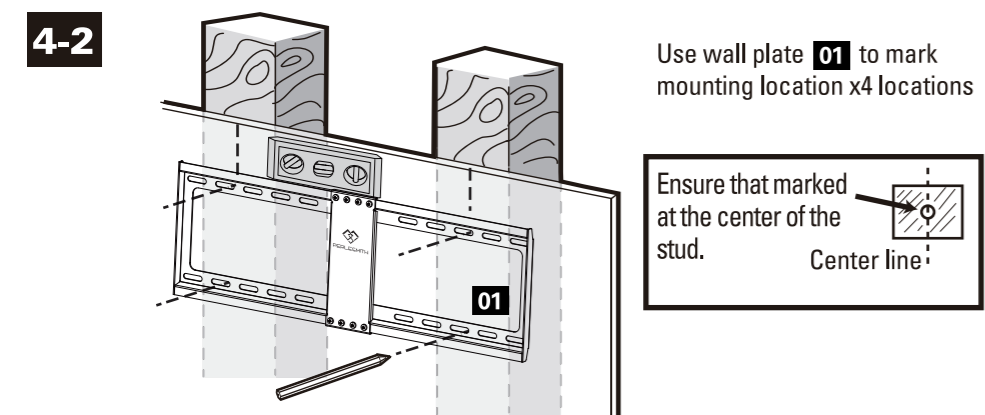
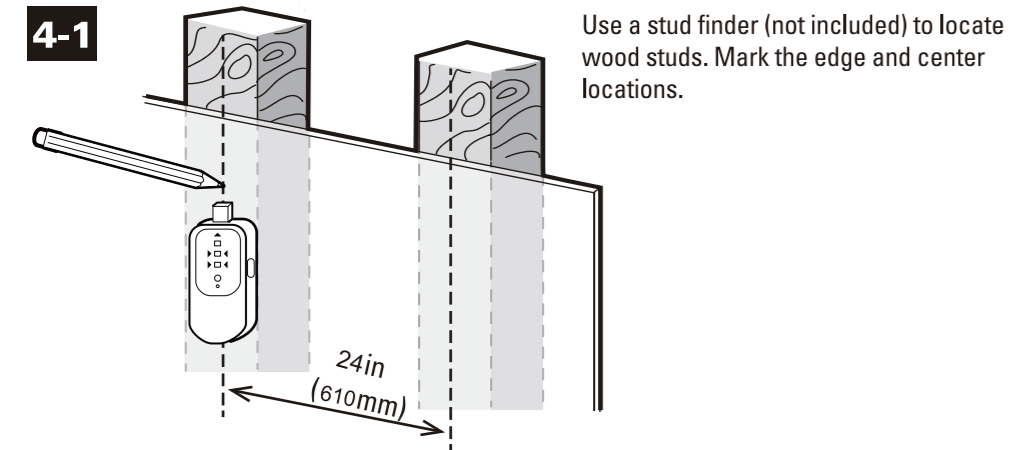


3

4

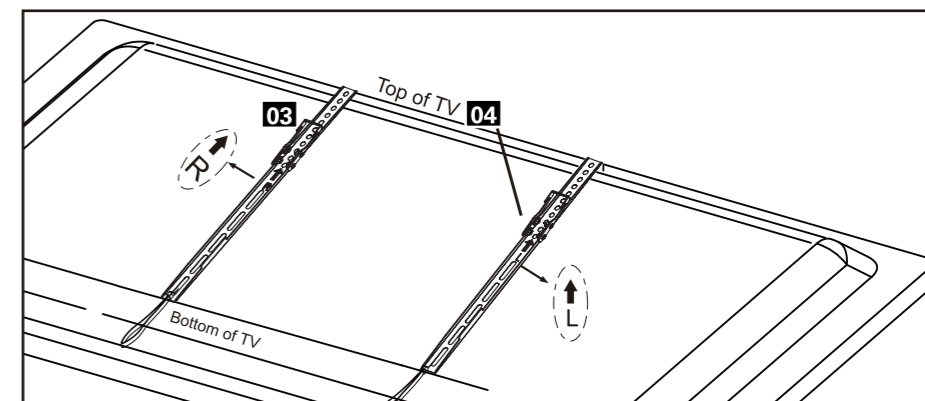
5

STEP 4 Wall Plate Install

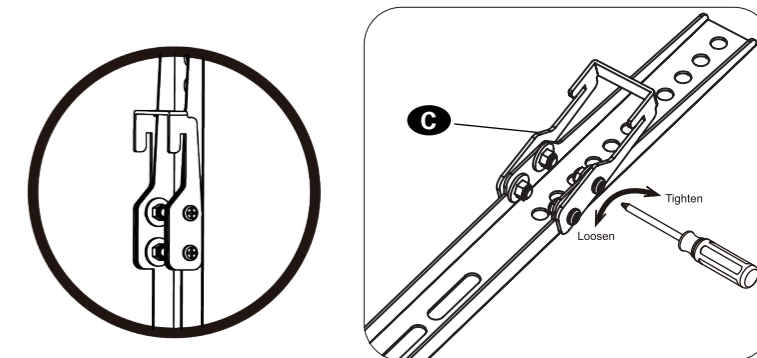


CAUTION: Ensure the wall plate is securely fastened to the wall before continuing on to the next step.

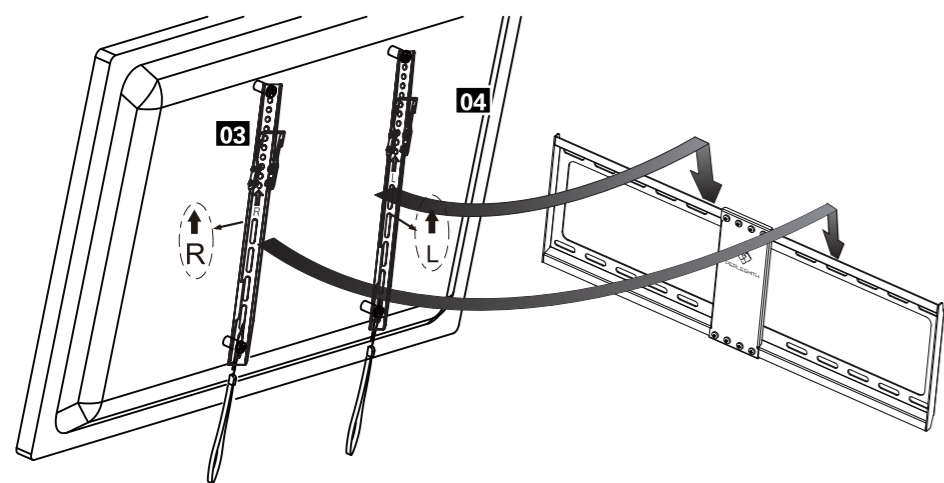
STEP 5 Tighten Nuts



Adjust the tilting angle with the Screw driver for both **04** and **03**.



STEP 6 Hang TV



STEP 7 Secure TV

Pull the strap down and push the TV to secure the TV brackets **03** and **04** to the wall plate assembly.

