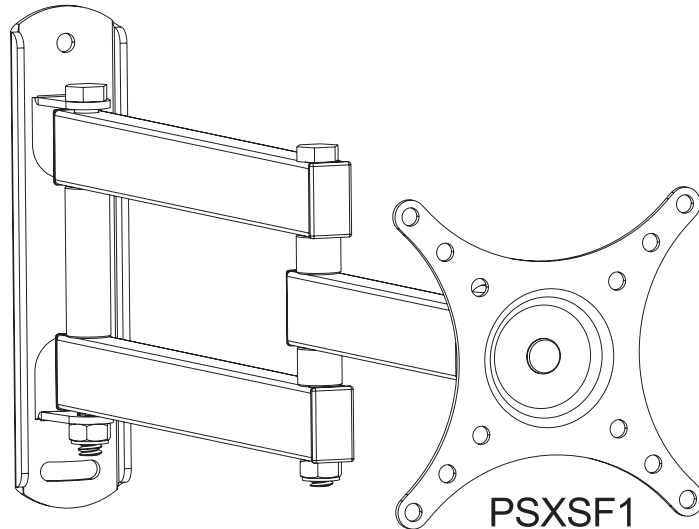


# SMALL FULL MOTION TV WALL MOUNT

For any parts enquiries,  
please contact AV Supply Group as below:  
New Zealand P 64 9 274 9172 E [info@avsupply.co.nz](mailto:info@avsupply.co.nz)  
Australia P 61 3 9071 4585 E [info@avsupplygroup.com.au](mailto:info@avsupplygroup.com.au)

for most 10" to 32" TVs up to 44lbs



Instruction Manual

# THIS INSTRUCTION BOOKLET CONTAINS IMPORTANT SAFETY INFORMATION. PLEASE READ IT CAREFULLY AND KEEP FOR FUTURE REFERENCE

## CAUTION

Never let children climb on product or play with product.

Do not sit or stand on furniture.

Do not place a weight that is heavier than the recommended load rating on the product surface.


If you do not understand these instructions, or have doubts about the safety of this installation, contact customer service or call a qualified contractor. The manufacturer is not liable for damage or injury caused by incorrect mounting, assembly or use.

The unit will hold a 10 to 32 inch Plasma or LCD TV. The weight of the TV must not exceed 44lbs. The wall must be capable of supporting five times the weight of the TV plus the mount.

This mounting system is intended for use only with the maximum weight indicated. Use with products heavier than the maximum weights indicated may result in a collapse of the mount and its accessories, causing possible injury.

Improper handling can result in cuts and lacerations.

Images are for reference only.

 CAUTION: Use with products heavier than the maximum weights indicated may result in instability causing possible injury.

# GETTING STARTED

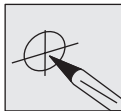
Before assembling your mount, follow the checklist below to make sure this mount will be safe for your TV and your wall.

Does your TV weigh more than 44 Lbs (20kg) including accessories?



No- OK. You are ready to begin.

Do you have all the required tools for installation?



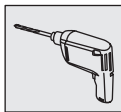
Marker



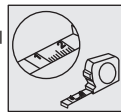
Screw Driver



Diameter  
ø5mm Drill



Power Drill



Tape Measure

It is time to begin.

- I read through these instructions and I am comfortable with this easy installation process.
- I have checked my TV's user manual for special mounting
- I understand this mount is **ONLY** for drywall with wood studs.

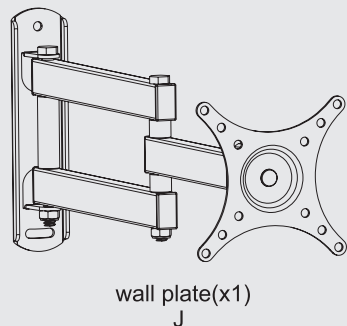
# INCLUDED PARTS AND HARDWARE

**WARNING:** This product contains small items that present a choking hazard if swallowed.

**Before starting assembly, verify all of the parts are included and undamaged.**

NOTE: Not all of the included hardware will be used.

## TV MOUNT



## HARDWARE



M4x16(x4)  
A



M4x30(x4)  
B



M6x16(x4)  
C



M6x30(x4)  
D



St6x50(x2)  
E



D6 washer (x2)  
F



Spacer with 3 holes (x4)  
G



L10mm Washer (x4)  
H

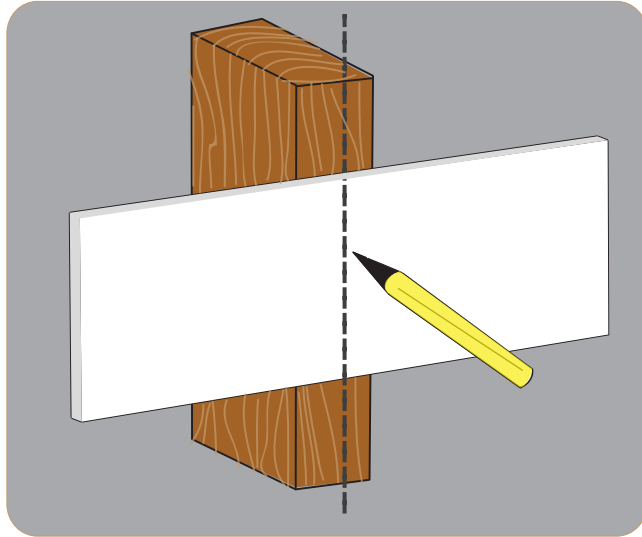


L5mm Washer (x8)  
I

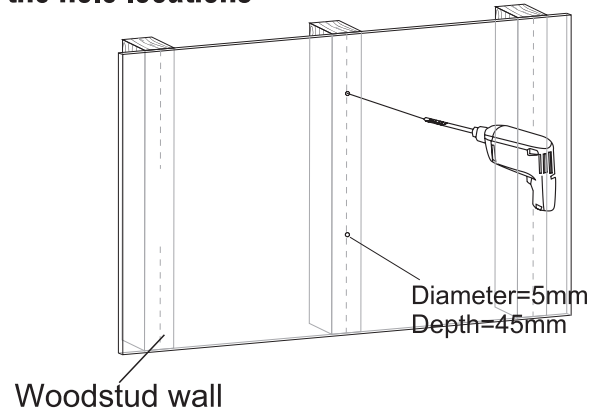
# STEP 1 - WOOD STUD INSTALLATION

## 1-1 Use a stud finder to locate the edges of the studs

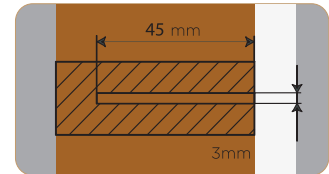
Mark the center of each stud by drawing a vertical line with a pencil.



## 1-2 Place wall mount at a desired height, and use the the pattern below as a template to mark the hole locations

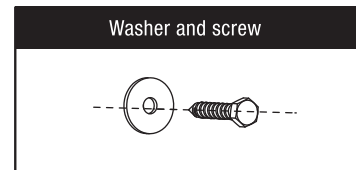
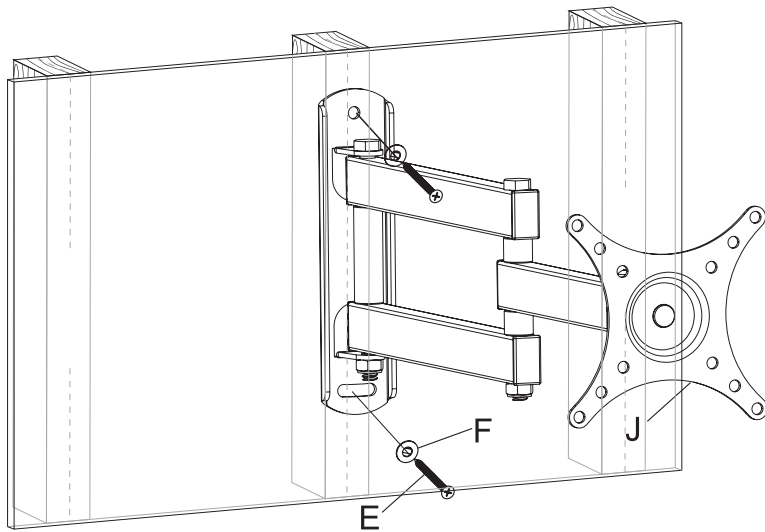
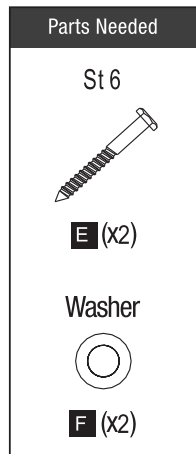


## 1-3 Drill the holes to at least 45 mm in depth.



# STEP 1 - WOOD STUD INSTALLATION

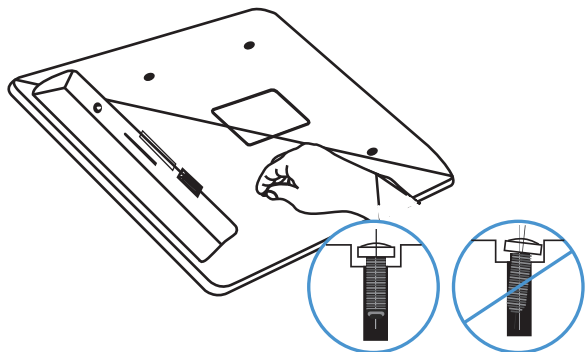
1-4 Secure the wall mount to the wall using the washer and screw combination



# STEP 2 - ATTACH BRACKET TO TV

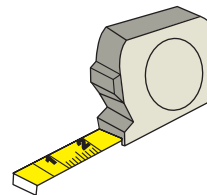
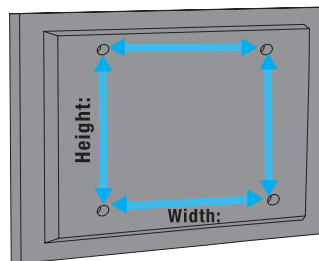
## 2-1 Determine TV screw

Hand thread screws into the inserts on the back of your TV to determine which suits your TV. Verify the screw is a good fit for your TV.



## 2-2 Determine VESA pattern

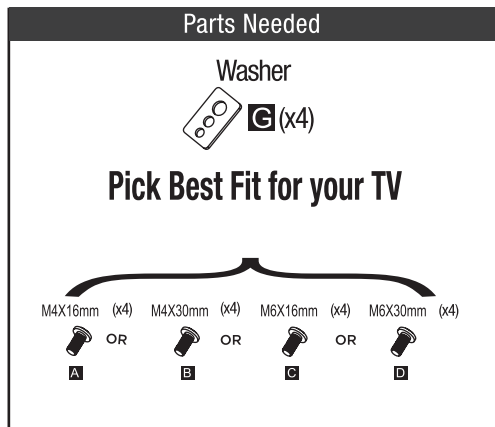
This mount is compatible with the following VESA patterns 100X100mm. Measure the distance between the holes on your TV in MM to determine your pattern.



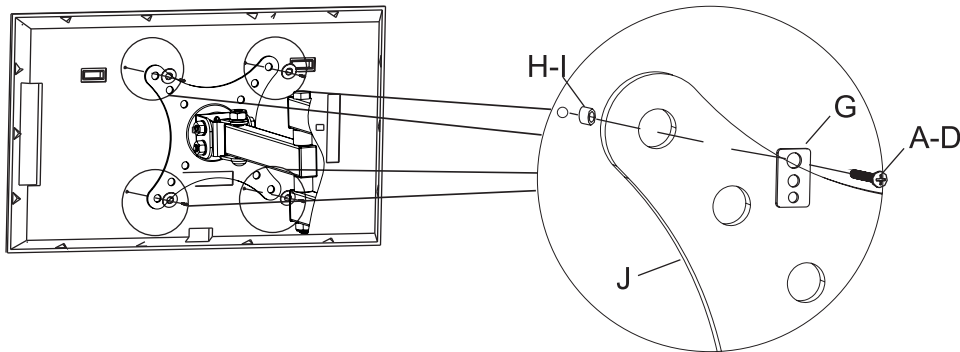
# STEP 2 - ATTACH BRACKET TO TV

## 2-3 For Televisions with a Flat Back

Determine which screw diameter to use by hand threading screws into the proper inserts on the back of your television. Verify that the screw is a good fit, not too short or too long.



2-4 Place TV bracket over your television hole pattern. Attach using appropriate screw and square washer combination for your TV





# FINAL INSTALLATION

1-1 Use wrench to lock television into wall mount

