

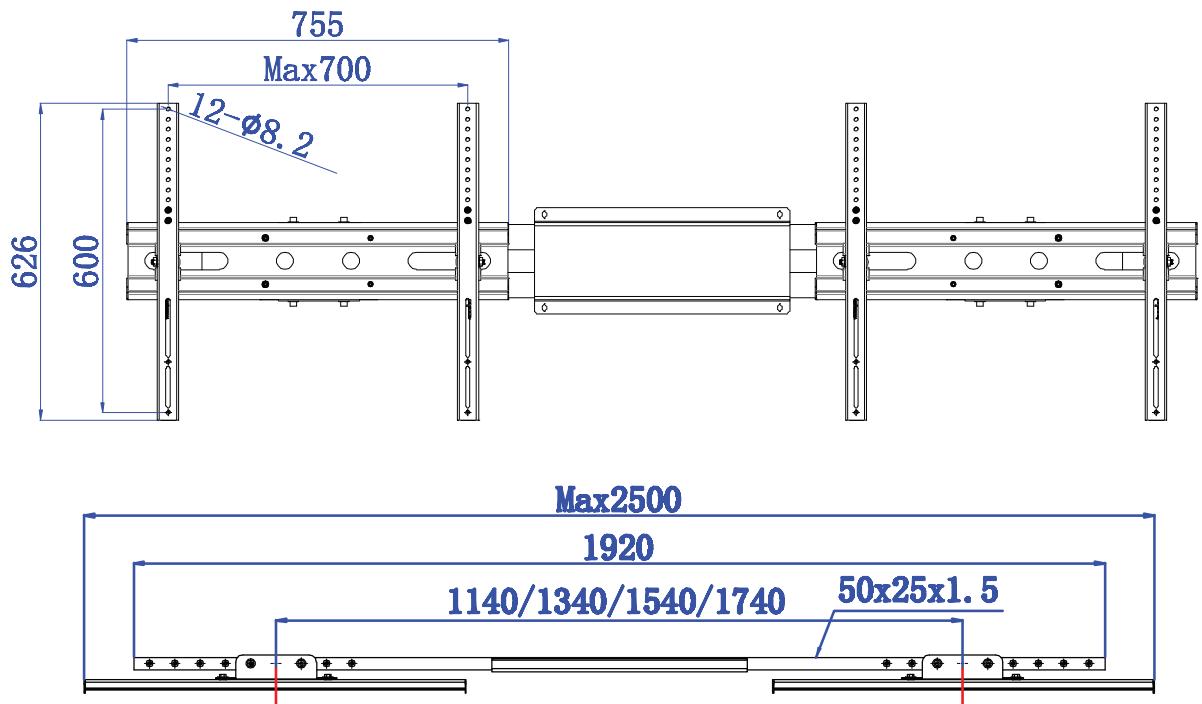


# Instruction Manual

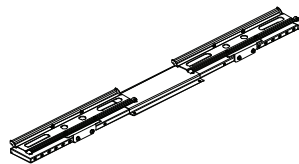
## SAVC75X2

Dual Screen Adapter for 49" - 75" Panels \*

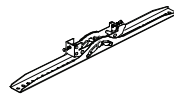
### Dimensions



### Supplied Parts and Hardware



A. Frame with attached back plates  
1pc



B. TV mount arms  
4pcs



C. M8x65mm hex bolt  
4pcs



D. M8 nut  
4pcs



E. M8 washer  
8pcs

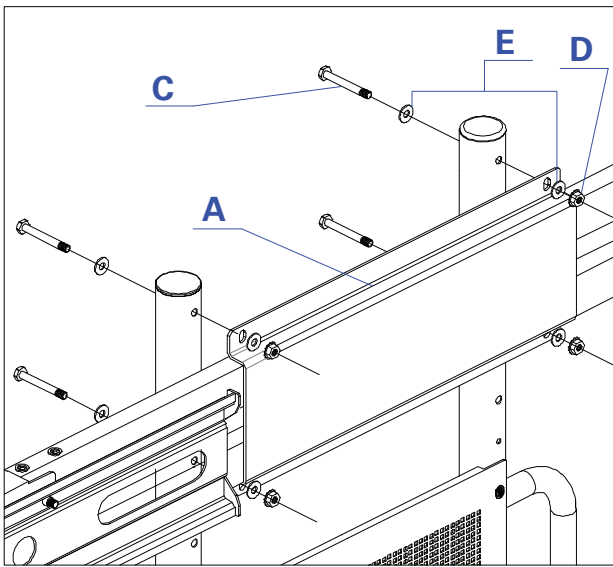


F. M8x20mm bolt  
8pcs

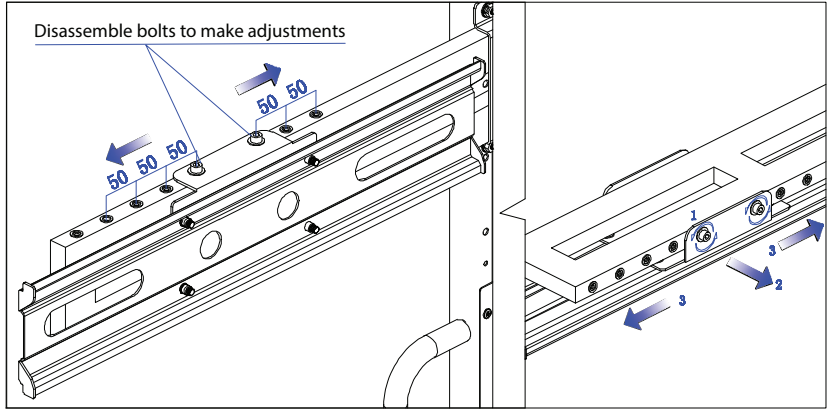


G. M6x14mm bolt  
8pcs

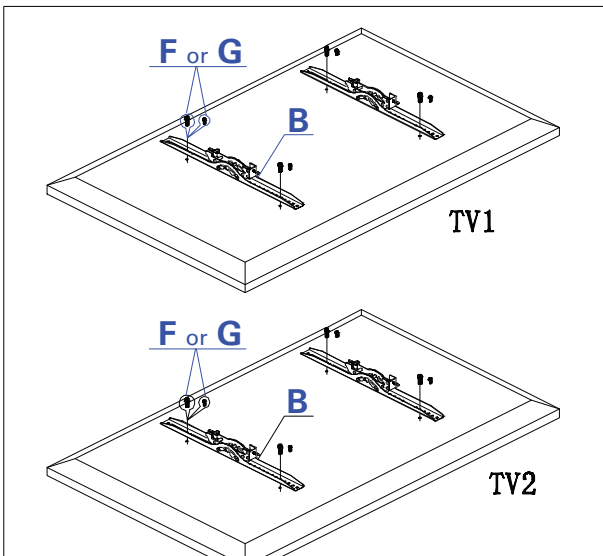
\* For 75" dual screen the maximum vesa pattern is 600 x 400



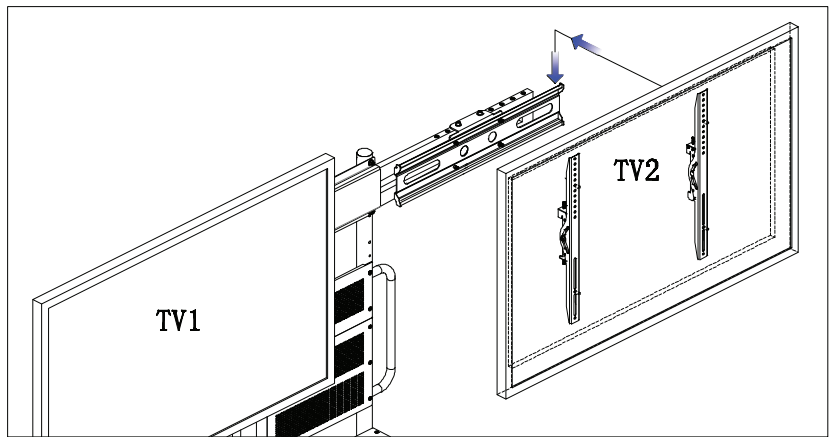
**Step 1**  
Install the frame to AVS cart (SAVC3780B) by using correct M8 bolt, washer and nut.



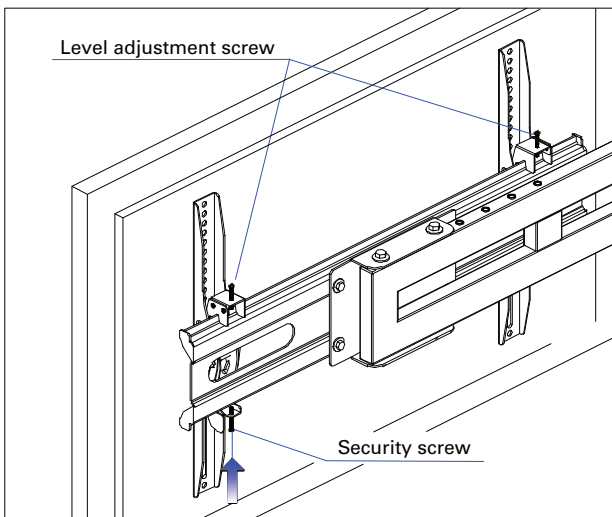
**Step 2**  
Adjust the location of back plates to desired position. It will be necessary to disassemble and then reassemble the back plate from the frame, depending on the panel size.



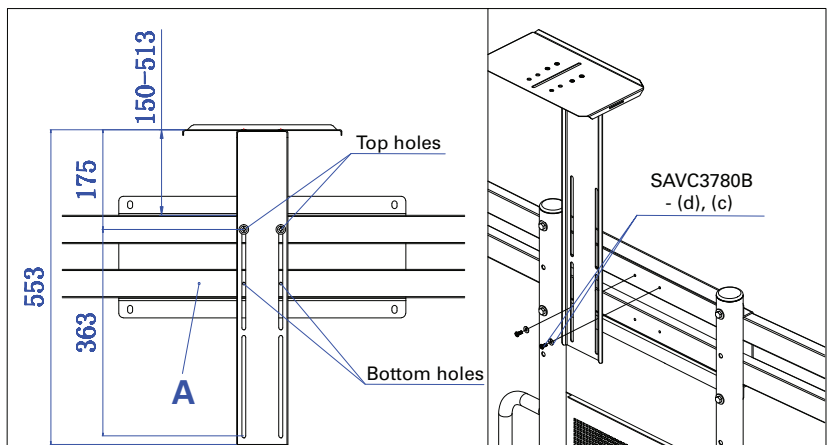
**Step 3**  
Attach the TV mount arms to the desired location onto the back of TV by using M8 or M6 bolt provided.



**Step 4**  
Hang the TV with arms onto the back plate.



**Step 5**  
Adjust the level adjustment screws and security screws to ensure the desired position and security.



**Step 6 (optional)**  
Install the camera shelf of AVS cart (SAVC3780B) to the back of frame for the desired position.